



EXPLODED VIEW & PARTS LIST
CHALLENGER
.177 CALIBER
SPORTER CLASS AIR RIFLE



CROSMAN CORPORATION
7629 ROUTES 5 & 20
BLOOMFIELD, NY 14469
Phone: 1-800-724-7486
Parts Order Fax: 585-657-5405
www.crosman.com

- This EVP and parts list is intended to be an informational guide in ordering parts. It is not instructional material, and we therefore assume no responsibility for those who use the same without proper factory training.
- Please order by part number and description.
- Check or money order for the total price must accompany the order.
- For current prices contact Crosman Corporation at 1-800-724-7486 or visit our website www.crosman.com

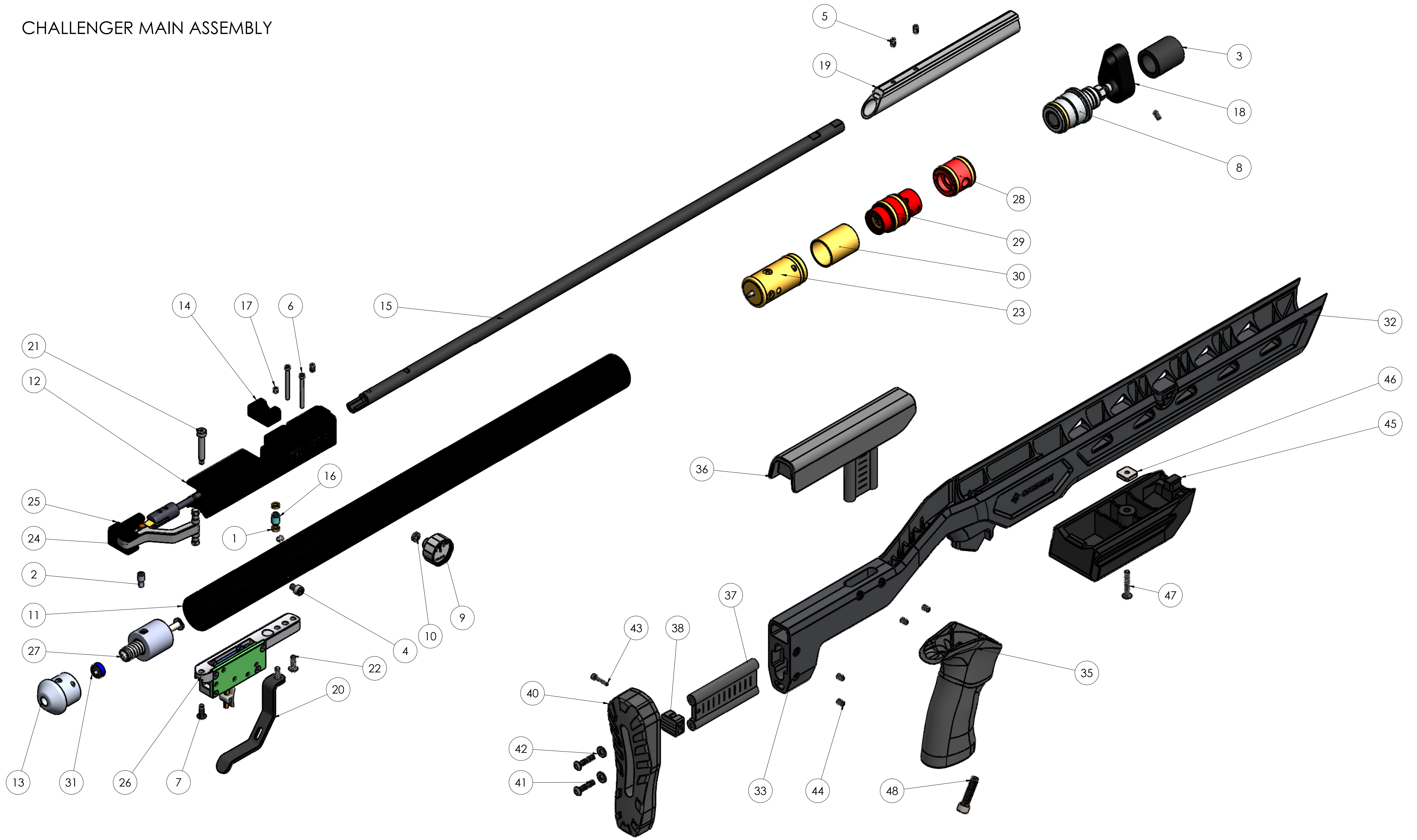
PARTS LIST FOR CROSMAN CHALLENGER

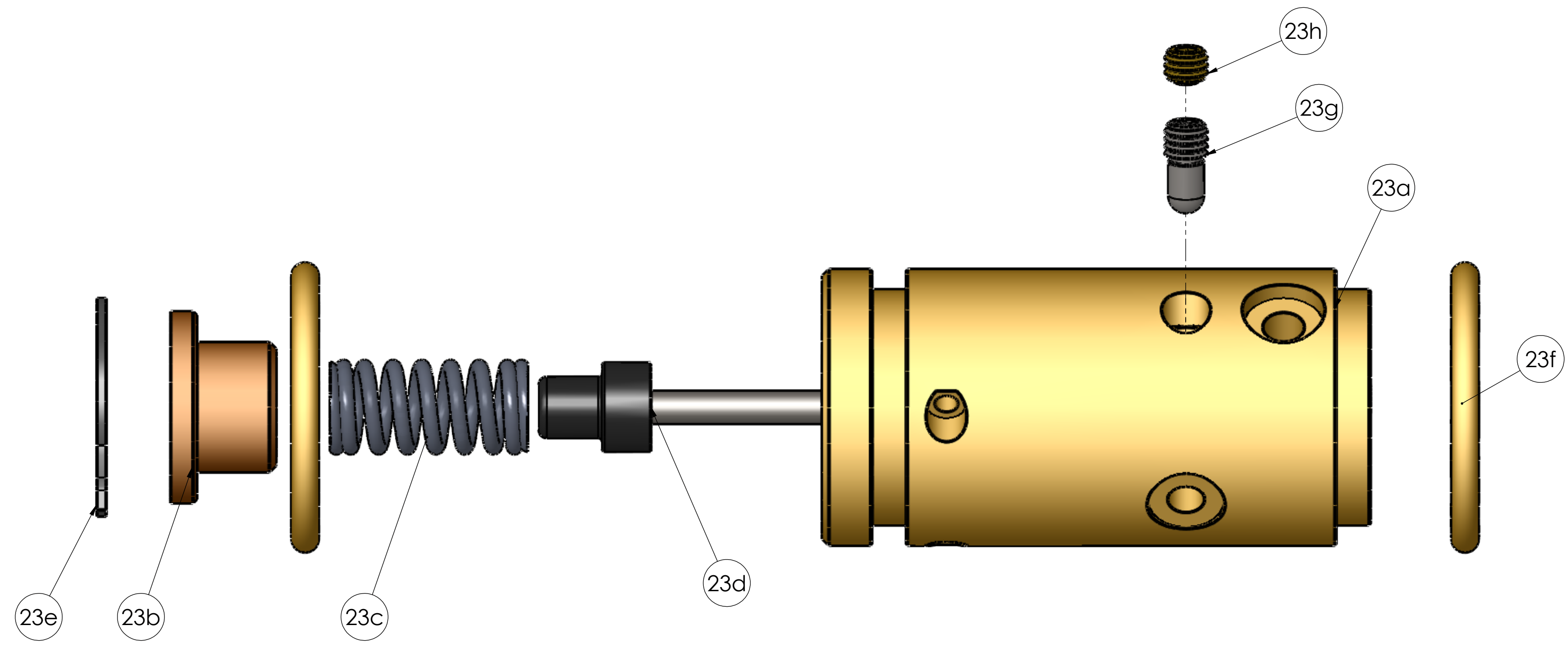
Manufacture Start Date: March 2022

ITEM NO.	Part Number	Description	QTY.
1	130-036	BREECH GASKET	2
2	1700-018	STUD, BOLT	2
3	1763-011	CAP, FILL NIPPLE	1
4	1763-019	SCREW, 10-32 X .25, SHCS	3
5	CH2021-058	SET SCREW, 8-32 X .25 FLTPT	5
6	1763-027	SCREW, 4-40 X 1.25 SHCS	2
7	1763-035	SCREW, 8-32 X .437 BHCS	1
8	1763-101	FILL ADAPTER	1
9	1764-033	GAUGE, STRAIGHT	1
10	1764-081	VITON WASHER, .15ID X .312 OD	1
11	CH2021-001	TUBE, RESERVOIR	1
12	CH2021-006	BREECH	1
13	CH2021-012	TUBE CAP	1
14	CH2021-016	BARREL SUPPORT	1
15	CH2021-017	MATCH BARREL .177	1
16	CH2021-018	SLEEVE, TRANSFER PORT	1
17	CH2021-027	SET SCREW, 8-32 X .25L POINTED	1
18	CH2021-029	BARREL BAND	1
19	CH2021-030	FRONT SIGHT BASE	1
20	CH2021-038	TRIGGER GUARD	1
21	CH2021-046	SCREW, SHOULDER, 8-32 X 1.1875, SHSC	1
22	362-019	8-32 X 1-2 BUTTON-HEAD SOCKET CAP SCREW	2
23	CH2021-100	VALVE ASSY	1
24	CH2021-102	BOLT ASSY	1
25	CH2021-103	SLIDE LEVER PLATE WITH PIN	1
26	CH2021-105	TRIGGER ASSY	1
27	CH2021-107	HAMMER AND SSG	1
28	CH2021-108	GAUGE PORT, ASSY	1
29	CH2021-111	REGULATOR ASSY	1
30	SAMA022	SPACER	1
31	CH2021-042	1/2-20 HOLLOW-LOCK SET SCREW	1
32	CH2021-035	STOCK WITH INSERTS	1
33	6041-3BR225	DODGE ULTRASERT 2	4
34	CH2021-037	STOCK RAIL	1
35	CH2021-024	PISTOL GRIP	1
36	CH2021-028	CHEEK REST	1
37	CH2021-025	STOCK POST	2

38	CH2021-023	BUTT PAD ADJUSTMENT BRACKET	1
40	CH2021-0331	BUTT PAD, RUBBER	1
41	CH2021-050	SCREW, 8-32 X .750, BHCS	2
42	CH2021-052	WASHER, #8, BLACK OX	2
43	CH2021-055	SCREW, 4-40 X .5625, SHCS	1
44	R3571-083	SET SCREW, 10-32 x .250, Flt Pt	4
45	CH2021-032	FOREARM-PAD	1
46	CH2021-051	FOREGRIP NUT	1
47	CH2021-041	SCREW, 8-32 X1L BHCS	1
48	E357-148	1/4-28x1.000-SHCS W/PATCH	1

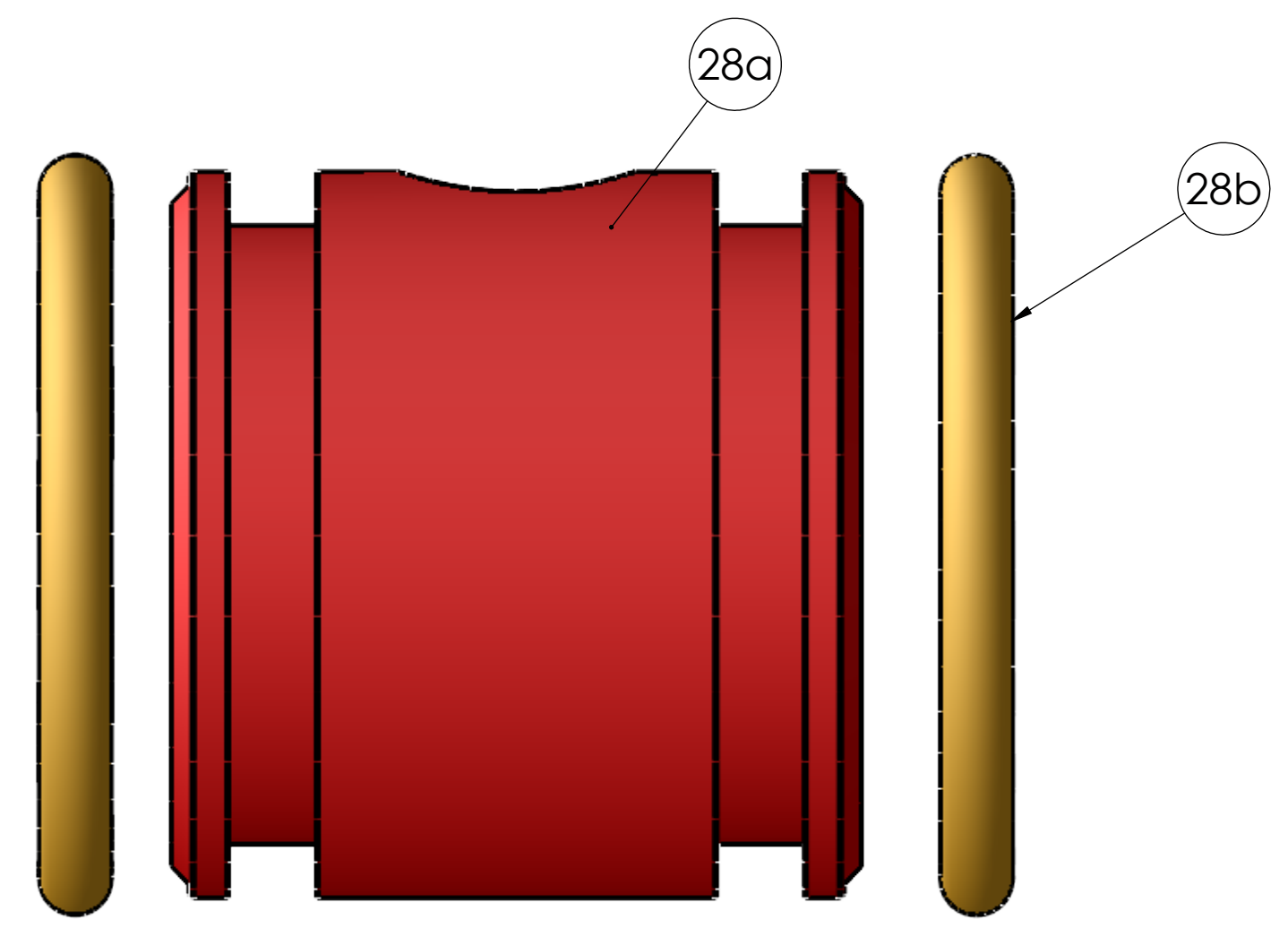
CHALLENGER MAIN ASSEMBLY





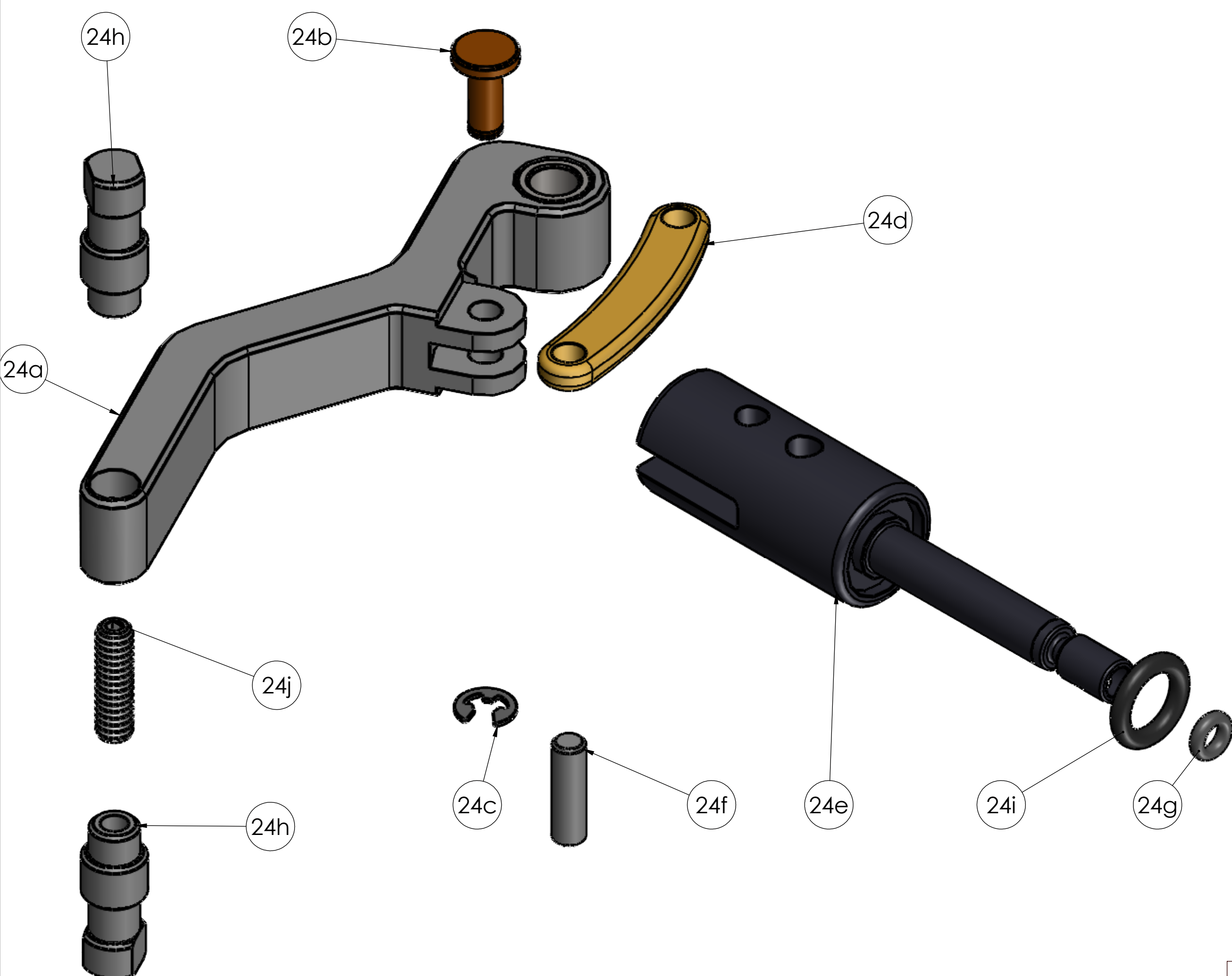
23 - VALVE ASSEMBLY

ITEM NO.	Part Number	Description	QTY.
23a	CH2021-002	VALVE BODY	1
23b	SAM-021	SPRING PLUG	1
23c	SAM-055	SPRING, VALVE	1
23d	1700-140	HYTREL 8238	1
23e	SAM-020	RETAINING RING .750 ID	1
23f	1763-026	ORING, #118	2
23g	1763A028	SCREW, VELOCITY ADJUSTMENT	1
23h	1763-059	SET SCREW, 8-32 x 125, BRASS	1



28 - GAUGE PORT ASSEMBLY

ITEM NO.	Part Number	Description	QTY.
28a	CH2021-019	GAUGE POART	1
28b	1763-026	ORING, #118	2



24 - BOLT ASSEMBLY

ITEM NO.	Part Number	Description	QTY.
24a	CH2021-009	COCKING LEVER	1
24b	R3571-017	PIN, BOLT LINK	1
24c	R3571-055	RETAINING RING, .125	1
24d	CH2021-008	BOLT LINK	1
24e	CH2021-007	BOLT, 177CAL SHOOT THROUGH	1
24f	CH2021-045	DOWEL PIN, .125 X .438L	1
24g	397-062	SEAL, .177 BREECH O-RING	1
24h	CH2021-013	SIDE LEVER HANDLE SHORT	2
24i		O-Ring, #2-010	1
24j	1762-012	SET SCREW, #6-32 X .50, OVAL POINT	1

26 - TRIGGER ASSEMBLY

ITEM NO.	Part Number	Description	QTY.
26a	1764-040	TRIGGER CASING	1
26b	1764-041	TRIGGER COVER	1
26c	CH2021-003	TRIGGER	1
26d	1763B044	TRIGGER LINK	1
26e	1764-045	SEAR	1
26f	10804	PIN .125X.625	5
26g	1763-048	SPACER .25X.126X.123	2
26h	1763-049	SPACER .375X.126X.086	1
26i	1763-050	SPRING, TRIGGER LINK	1
26j	1763-051	SAFTEY SPRING	1
26k	1763-052	SEAR SPRING	1
26l	1763-054	SETSCREW 4-40X.188 OVPT	2
26m	1763-085	SET SCREW, 4-40X.312 OVAL POINT	1
26n	1763-056	SCREW 4-40X.375 FHCS	4
26o	1763-057	ROLLPIN .094X.250	1
26p	397-062	SEAL .177 BREECH O-RING	1
26q	1763-065	SPRING, TORSION LINK	1
26r	1763A053	SCREW, 1/4-28 x .215, SOCKET HEAD	1
26s	CH2021-056	SAFTEY LEVER	1
26t	CH2021-005	TRIGGER BLADE	1
26u	1701-025	SETSCREW 4-40 X .125 FLTPT	1

