

BENJAMIN

EXPLODED VIEW & PARTS LIST

MODELS ARMADA MAGPUL EDITION BTAP22MX



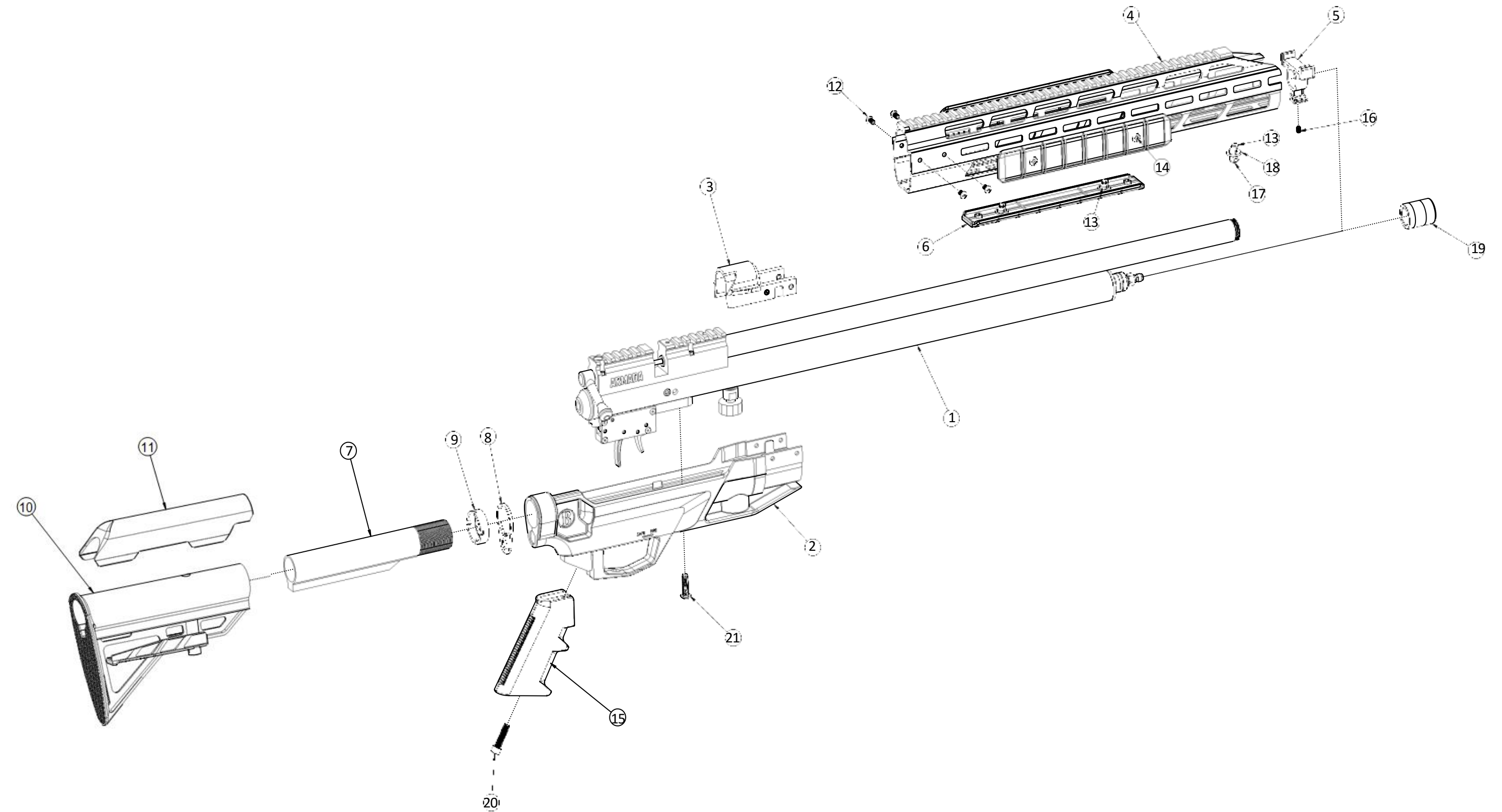
Manufacture Start Dates: 12/3/14

Last Update 5/24/16

CROSMAN
CORPORATION 7629
ROUTES 5 & 20
BLOOMFIELD, NY 14469
Phone: 1-800-724-7486
Parts Order Fax: 585-657-
5405 www.crosman.com

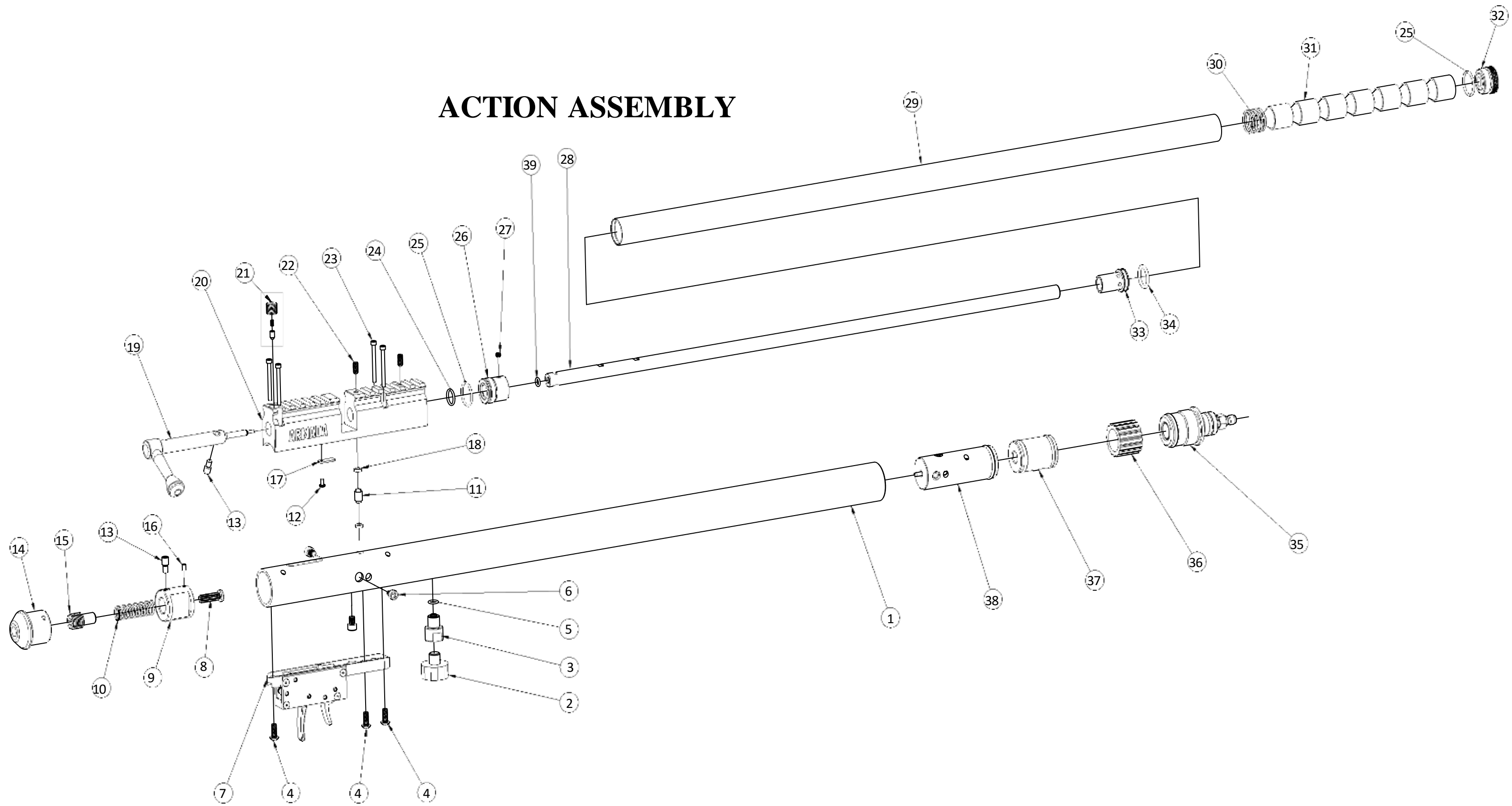
- This EVP and parts list is intended to be an informational guide in ordering parts. It is not instructional material and we therefore assume no responsibility for those who use the same without proper factory training.
- Please order by part number and description.
- Check or money order for the total price must accompany the order.
- For current prices contact Crosman Corporation at 1-800-724-7486 or visit our website www.crosman.com

GENERAL ASSEMBLY



| Item | Part Number | Description | BTAP22MX | Revisional Date |
|-------------|--------------------|-----------------------------|-----------------|------------------------|
| 1 | 2264TM-998 | ASSY, ARMADA .22 ACTION | 1 | |
| 2 | 2264T-001 | RECEIVER | 1 | |
| 3 | 2264T-002 | CAP, RECEIVER | 1 | |
| 4 | 2264T-003 | HAND RAIL | 1 | |
| 5 | 2264T-005 | SUPPORT, FRONT | 1 | |
| 6 | 2264T-006 | RAIL PANEL | 3 | |
| 7 | 2264T-010 | BUFFER TUBE | 1 | |
| 8 | 2264T-011 | LOCK PLATE | 1 | |
| 9 | 2264T-012 | LOCK NUT | 1 | |
| 10 | 2264T-030 | ASSY, BUTT STOCK, MAG400/82 | 1 | |
| 11 | 2264T-031 | CHEEK RISER, MAG326/31 | 1 | |
| 12 | 2220-003 | SCREW, 8-32 x .375 BHCS | 4 | |
| 13 | 2264T-014 | NUT PLATE, 10-32 | 7 | |
| 14 | 2264T-016 | SCREW, 10-32 X .312, BHCS | 6 | |
| 15 | 2264T-029 | GRIP, MAGPUL MAG400/82 | 1 | |
| 16 | 1763-023 | SET SCREW, 8-32 x .25 FLTPT | 1 | |
| 17 | 2264T-013 | SWIVEL STUD | 1 | |
| 18 | 2264T-015 | WASHER, .610 x .277 x .085 | 1 | |
| 19 | 1763-011 | CAP, FILL NIPPLE | 1 | |
| 20 | E357-148 | 1/4-28x1.000-SHCS W/PATCH | 1 | |
| 21 | 1764-029 | SCREW, 1/4-20 x .875 BHCS | 1 | |
| 22 | CBT-SETBIPOD | BIPOD | 1 | |
| 23 | LR416S1-999 | SCOPE 4-16X56MM | 1 | |
| 24 | LM2PP30H-999 | SCOPE RINGS | 1 | |

ACTION ASSEMBLY



| Item | Part Number | Description | 2264T-998 | Revisional Date |
|------|-------------|---------------------------------|-----------|-----------------|
| 1 | 1764-001 | TUBE, RESERVOIR | 1 | |
| 2 | 1763-033 | GAUGE, 3000 PSI | 1 | |
| 3 | 1764-017 | ADAPTER, GAUGE | 1 | |
| 4 | 1763-035 | SCREW, 8-32 x .437 BHCS | 3 | |
| 5 | 1761A023 | O-Ring, #2-009 | 1 | |
| 6 | 1763-019 | SCREW, 10-32 X .25, SHCS | 3 | |
| 7 | 1764-105 | TRIGGER ASSY | 1 | |
| 8 | 1763A036 | STRIKER | 1 | |
| 9 | 1763A015 | HAMMER | 1 | |
| 10 | 1764-009 | SPRING, HAMMER | 1 | |
| 11 | 1763-014 | SLEEVE, TRANSFER PORT | 1 | |
| 12 | 1700-020 | SCREW, 3-48 x .188 PPH | 2 | |
| 13 | 1700-018 | STUD, BOLT | 1 | |
| 14 | 1764-012 | CAP, PRESSURE TUBE | 1 | |
| 15 | 1763-038 | GUIDE, HAMMER SPRING | 1 | |
| 16 | CH2009-023 | PIN, ACETAL | 1 | |
| 17 | 1764-008 | PLATE, BOLT INDEXING | 1 | |
| 18 | 130-036 | BREECH GASKET | 2 | |
| 19 | 2264-102 | BOLT ASSY, .177 CAL | 1 | |
| 20 | 2264T-004 | BREECH, ARMADA .22 | 1 | |
| 21 | 1763-106 | PLUNGER ASSEMBLY | 1 | |
| 22 | 1763-021 | SET SCREW, 8-32 x .375 FLIPT | 2 | |
| 23 | 1763-027 | SCREW, 4-40 x 1.25 SHCS | 4 | |
| 24 | 190B-008 | O-RING | 1 | |
| 25 | 397-036 | O-RING, #2-016, BUNA N | 2 | |
| 26 | 1763-013 | MOUNT, SHROUD | 1 | |
| 27 | 88-089 | SET SCREW 8-32 x 125 CUP HEX HD | 1 | |
| 28 | 2263-017 | BARREL, .22 CAL, 20" | 1 | |
| 29 | 1763-005 | SHROUD, BARREL | 1 | |
| 30 | 1764-068 | SPRING, BAFFLE | 1 | |
| 31 | 1764-060 | BAFFLE | 7 | |
| 32 | 1764-010 | CAP, SHROUD | 1 | |
| 33 | 1763-020 | SPACER, BARREL SHROUD | 1 | |
| 34 | JTX-080 | O-RING, 2-113 | 1 | |
| 35 | 1763-101 | FILL ADAPTER ASSEMBLY | 1 | |
| 36 | 1764-064 | DAMPENER, RESONANCE | 1 | |
| 37 | 1763-104 | GAUGE PORT ASSY | 1 | |
| 38 | 1764-100 | VALVE ASSEMBLY | 1 | |
| 39 | 1763-058 | O-RING, 1.5mm x 4mm, BUNA N | 1 | |