

BENJAMIN®

High Performance PCP Air Rifle



Marauder

Pre-Charged Pneumatic Airgun

(S-Synthetic Stock/W-Woodstock)

BP1764S/BP1764W – .177 caliber Pellet Air Rifle

BP2264S/BP2264W – .22 caliber Pellet Air Rifle

BP2564S/BP2564W – .25 caliber Pellet Air Rifle

OWNER'S MANUAL

READ ALL INSTRUCTIONS AND WARNINGS IN THIS MANUAL BEFORE USING THIS AIRGUN

Made in USA with globally sourced components

Crosman Corporation • 7629 Rts. 5 & 20 • Bloomfield, NY 14469

800-7-AIRGUN • www.crosman.com

WARNING: NOT A TOY. THIS AIRGUN IS RECOMMENDED FOR ADULT USE ONLY. MISUSE OR CARELESS USE MAY CAUSE SERIOUS INJURY OR DEATH. MAY BE DANGEROUS UP TO 1,000 YARDS (914 METERS).

WARNING: DO NOT BRANDISH OR DISPLAY THIS AIRGUN IN PUBLIC—IT MAY CONFUSE PEOPLE AND MAY BE A CRIME. POLICE AND OTHERS MAY THINK IT IS A FIREARM. DO NOT CHANGE THE COLORATION AND MARKINGS TO MAKE IT LOOK MORE LIKE A FIREARM. THAT IS DANGEROUS AND MAY BE A CRIME.

YOU AND OTHERS WITH YOU SHOULD ALWAYS WEAR SHOOTING GLASSES TO PROTECT YOUR EYES.
READ ALL INSTRUCTIONS BEFORE USING.
BUYER AND USER HAVE THE DUTY TO OBEY ALL LAWS ABOUT THE USE AND OWNERSHIP OF THIS AIRGUN.

WARNING: THIS PRODUCT CONTAINS ONE OR MORE CHEMICALS KNOWN TO THE STATE OF CALIFORNIA TO CAUSE CANCER AND BIRTH DEFECTS (OR OTHER REPRODUCTIVE HARM.)

WARNING: USE ONLY COMPRESSED AIR IN THIS AIRGUN. USE NO OTHER GASSES—INCLUDING OXYGEN, WHICH CAN CAUSE A FIRE OR EXPLOSION THAT MAY RESULT IN SERIOUS INJURY OR DEATH.

REMEMBER, THIS AIR RIFLE IS NOT A TOY. ALWAYS TREAT THE AIR RIFLE AS THOUGH IT IS LOADED AND WITH THE SAME RESPECT YOU WOULD A FIREARM.

CAUTION: This airgun has been classified as an adult airgun, and is recommended for adult use only. Because it is considered to be a special –purpose airgun, it is exempt from specific types of trigger pull, safety, mechanism and drop tests.

Please read this owner's manual completely. And remember that an airgun is not a toy. Always carefully follow the safety instructions found in this owner's manual and keep the manual in a safe place for future use. If you have any questions about this product or need some help, do not return the product to the store before talking with Crosman. Feel free to visit us at crosman.com, or speak with one of our friendly customer service (1-800-724-7486) representatives Monday through Friday between the hours of 8AM and 4:30PM EST.

1. Reviewing Safety
2. Learning the Parts of Your New Airgun
3. Operating the Safety
4. Pressurizing the Airgun
5. Depressurizing the Airgun
6. Loading the Airgun
7. Un-Loading and Un-Cocking
8. Removing a Jammed Pellet
9. Maintaining Your Airgun
10. Advanced Tuning Techniques
11. Changing the Bolt Direction
12. Adjustable Comb

1. Reviewing Safety

1. **ALWAYS** treat the air rifle as though it is loaded and ready to fire.
2. **ALWAYS** treat the air rifle with the same respect you would a firearm.
3. **ALWAYS** store the air rifle unloaded and away from children.
4. **ALWAYS** remove the magazine, make sure there is no pellet in the chamber and make sure the air rifle is un-cocked.
5. **ALWAYS** aim in a SAFE DIRECTION.
6. **ALWAYS** keep the muzzle of the air rifle pointed in a SAFE DIRECTION.
7. **ALWAYS** keep your finger off the trigger and out of the trigger guard until ready to shoot.
8. **ALWAYS** keep the air rifle "ON SAFE" until you are ready to shoot.
9. **ALWAYS** check to see if the air rifle is "ON SAFE" and unloaded when removing it from storage.
10. **ALWAYS** check to see if the air rifle is "ON SAFE" and unloaded when handling to, or receiving it from another person.
11. **ALWAYS** have you and others wear shooting glasses to protect your eyes.
12. **ALWAYS** wear shooting glasses over reading or prescription glasses.
13. **ALWAYS** place a shooting backstop in a location that will be safe should the backstop fail.
14. **ALWAYS** check your backstop for wear before and after each use. All backstops are subject to wear and will eventually fail. Replace your backstop if the surface is worn or damaged or if a ricochet occurs.
15. **ALWAYS** use proper size ammunition in your air rifle. Check the markings on your air rifle to verify the ammo size. .
16. **NEVER** point the air rifle at any person or at anything you do not intend to shoot.
17. **NEVER** reuse ammunition.
18. **NEVER** shoot at hard surfaces or at the surface of water. The pellet may bounce off or ricochet and hit someone or something you had not intended to shoot.
19. **NEVER** shoot at hard surfaces or at the surface of water. The pellet may bounce off or ricochet and hit someone or something you had not intended to hit.
20. **NEVER** attempt to disassemble or tamper with your air rifle. Use an Authorized Service Station. Using an unauthorized service or repair center, or modifying the function of your air rifle in any way, may be unsafe and will void your warranty.
21. Store this airgun charged with air to keep the valves closed against dirt.

WARNING: BECAUSE THIS AIRGUN HAS AN ADJUSTABLE MATCH GRADE TRIGGER, IT COULD FIRE WHEN DROPPED OR JARRED, WITH OR WITHOUT THE SAFETY ENGAGED.

Tools Needed (not included) If Following Advanced Tuning Techniques

- 1/4" Allen Wrench
- 1/8" Allen Wrench
- 5/64" Allen Wrench
- .050" Allen Wrench
- 3/16" Allen Wrench

2. Learning the Parts of Your New Airgun

Learning the names and parts of your new airgun will help you understand your owner's manual. (Fig. 1)

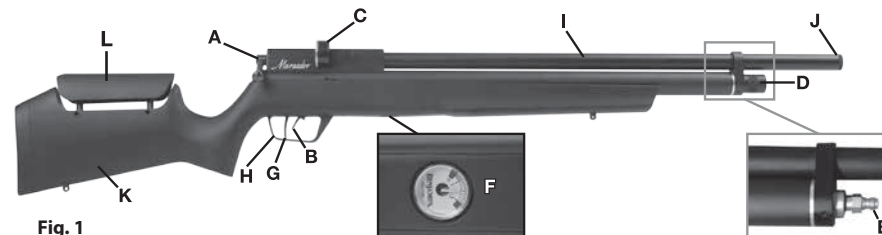


Fig. 1

- A. Bolt
- B. Safety
- C. Magazine
- D. Protective Cap For Fill Nipple
- E. Fill Nipple
- F. Pressure Gauge
- G. Trigger
- H. Trigger Guard
- I. Barrel
- J. Muzzle
- K. Stock
- L. Stock Comb

3. Operating the Safety

CAUTION: Like all mechanical devices, an airgun safety can fail. Even when the safety is "ON SAFE", you should continue to handle the airgun in a safe manner.

3.1 To Put the Airgun "ON SAFE:"

1. Locate the safety in front of the trigger.
2. The letters "F" (fire) and "S" (safe) on the bottom of the trigger guard also indicate the appropriate position of the safety (Fig. 2A).
3. Push the safety towards the trigger to put the safety on. The safety is on, and the airgun is "ON SAFE" when the lever is in the rear position (near the trigger). (Fig. 2B)

3.2 To Take the Airgun "OFF SAFE"

Push the safety to the forward position (away from the trigger). When the airgun is "OFF SAFE" it is ready to be fired after following the instructions in this manual on how to fill and load. (Fig. 2C)



Fig. 2A



Fig. 2B



Fig. 2C

WARNING: KEEP THE AIR RIFLE IN THE "ON SAFE" POSITION UNTIL YOU ARE ACTUALLY READY TO SHOOT. THEN PUSH THE SAFETY LEVER TO THE "OFF SAFE" POSITION.

4. Pressurizing the Airgun

This airgun is designed for use at pressures between 2,000 and 3,000 psi depending on how you, as the user, adjust (tune) the gun to work.

NOTE: Before firing the airgun make certain there is sufficient pressure for proper operation. The gauge needle should be pointing to the area between 1000 and 3000 psi on the gauge.

WARNING: EXPLOSION DANGER. USE ONLY COMPRESSED AIR IN THIS AIRGUN. USE NO OTHER GASSES—INCLUDING OXYGEN, WHICH CAN CAUSE A FIRE OR EXPLOSION THAT MAY RESULT IN SERIOUS INJURY OR DEATH.

WARNING: DISCONNECTING THE FILL HOSE FROM THE AIRGUN WITHOUT BLEEDING THE AIR FIRST MAY RESULT IN INJURY FROM HOSE WHIP AS A RESULT OF PRESSURE IN THE FILL HOSE.

4.1 Pressurizing (Filling) the Airgun with a Hand Pump

1. Be sure to wear eye protection
2. Make sure the airgun is unloaded and not cocked. (See section 7 for instructions on unloading and un-cocking.)
3. Read all instructions with your hand pump so you are familiar with its operation. Use only a pump designed for filling a pre-charged airgun and outfitted with a Foster #12FS quick disconnect fitting. Do not use a standard air compressor or bicycle pump.
4. Make sure air rifle is "ON SAFE" and pointed in a SAFE DIRECTION.
5. Remove the threaded cap that covers the fill nipple on the airgun by turning counter-clockwise.
6. Connect the quick-disconnect fitting on the hand pump hose to the fill nipple (Fig. 3)
7. Make certain the bleed valve on the hand pump is fully closed (tighten in a clockwise direction) (Fig. 4).
8. Start pumping and continue until the gauge needles on your pump and on the airgun are between 2000 psi and 3000 psi depending on your desired tune.
9. DO NOT fill the airgun to more than 3000 psi. See "Overfill" information section 4.3.
10. Open the bleed screw on the pump base rapidly in a counter-clockwise direction to COMPLETELY bleed the hose. You must bleed the fill hose COMPLETELY to avoid hose whip from pressure in the fill hose.
11. Disconnect the pump from the fill nipple on the gun
12. Replace the cap over the fill nipple and tighten. Always keep the fill nipple capped to eliminate the possibility of dirt entering the check valve.

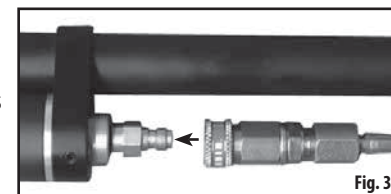


Fig. 3

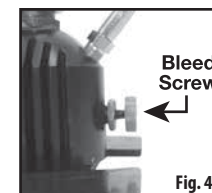


Fig. 4

4.2 Pressurizing (Filling) the Airgun with a High Pressure Tank

Your airgun may be filled from a high pressure tank (bottle) like the Benjamin 90 cu in charging system cylinder (81001). Scuba tanks can also be utilized for the task. For scuba tanks use the Crosman FAH003 Scuba Yoke adapter.

1. Be sure to wear eye protection
2. Make sure the airgun is unloaded and not cocked. (See section 7 for instructions on unloading and un-cocking.)
3. Read all instructions with your tank so you are familiar with its operation.
4. Make sure air rifle is "ON SAFE" and pointed in a SAFE DIRECTION.
5. Remove the cap that covers the fill nipple on the airgun.
6. Connect the quick-disconnect fitting on the adaptor's hose to the fill nipple (Fig. 3).
7. Slowly open the valve on your tank and start filling the gun SLOWLY. Filling too quickly will cause heat buildup that can affect accuracy of the fill pressure.
8. Watch the gauges on the airgun and your tank (if equipped) UNTIL the desired pressure is reached (2000-3000 psi)
9. DO NOT fill the airgun to more than 3000 psi. See "Overfill" information in section 4.3.
10. Turn the valve on your tank off when the desired fill pressure is reached.
11. BLEED the fill hose COMPLETELY to avoid hose whip from pressure in the fill hose
12. Disconnect the tank's fill hose from the fill nipple on the airgun.
13. Replace the cap over the fill nipple and tighten. Always keep the fill nipple capped to eliminate the possibility of dirt entering the check valve.

TIP: If your airgun is being filled from completely empty (zero pressure) the tension of the hammer pressing against the valve may keep the valve open which will cause air to leak down the barrel. This is most likely to happen with a gun tuned for high fill pressures, where the hammer spring preload is adjusted to a high rate. In the event this occurs, try cocking the bolt and leaving it in the rear (fully open) position to eliminate the force on the valve allowing it to close. Always make certain the airgun is not loaded and there is not a pellet in the chamber.

4.3 Overfill

1. Over filling beyond the "as tuned" best fill pressure does not improve performance. It will actually lessen performance and may cause the valve to lock. For instance a gun tuned for best performance at 2,000 psi may partially valve lock at 3000 psi. If you discover that the airgun has been over filled, try to dry fire the airgun (cock and shoot with no pellet loaded) in a SAFE DIRECTION until pressure on your airgun drops to 3,000 psi or less depending on where your gun's tuned best fill pressure is.
2. If the airgun will not discharge air with each shot, the valve may be completely pressure locked and will require use of the degassing tool (Sold Separately at Crosman.com). Follow the instructions included with the degassing tool to fully or partially depressurize the airgun.

5. Depressurizing the Airgun

Your airgun, like most PCP airguns, is best stored with some pressure in the reservoir. This keeps the seals in the airgun forced against the sealing surfaces. In the event you want or need to depressurize (e.g. for service) follow the following steps:

5.1 Dry Fire Method

1. Keep the air rifle pointed in a SAFE DIRECTION.
2. Remove all the air from your air rifle by repeatedly cocking and dry-firing (with the air rifle pointed in a SAFE DIRECTION) until the pressure gauge on your airgun shows no pressure and air cannot be heard when the shot is fired.
3. Put the air gun "ON SAFE".

5.2 Degassing Tool Method



WARNING: PERFORMING THE FOLLOWING PROCEDURE WILL EXHAUST AIR FROM THE BARREL AT A HIGH RATE AND COULD DISCHARGE A PELLET THAT IS CHAMBERED. ALWAYS MAKE CERTAIN THE AIRGUN IS POINTED IN A SAFE DIRECTION

Make certain the airgun is not in the cocked position by:

1. Make sure air rifle is "ON SAFE" and pointed in a SAFE DIRECTION.
 2. Removing the magazine (see Section 7.1).
 3. Closing the airgun bolt by sliding forward and latching.
 4. Pulling the trigger.
 5. Insert the degassing tool (NOT included) into the threaded plug as shown in Figure 5A.
 6. Turn the tool into the airgun in a clockwise direction until resistance is felt. This will indicate the nose of the tool has come in contact with the internal valve.
- Using an Allen wrench or screwdriver through the hole in the degassing tool (Fig. 5B) apply leverage to turn the tool and force the internal valve open. This may require approximately 1-2 complete turns to totally degas the airgun.
7. Remove the degassing tool completely from the airgun. Leaving the tool in the airgun will interfere with the normal operation of the firing mechanism.
 8. Cock the airgun and dry-fire (no pellet) in a SAFE DIRECTION to make certain all pressure has been relieved from the airgun.
 9. Check the gauge to make certain all pressure has been relieved from the airgun.

6. Loading the Airgun

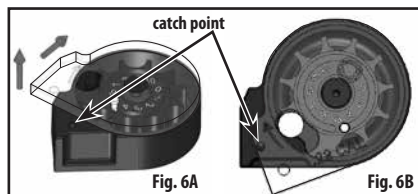
CAUTION: The air rifle was designed to function best with BENJAMIN™ and CROSMAN™ lead airgun pellets.

- Use of other ammunition may cause the gun to malfunction and could cause damage to the airgun.
- Never reuse ammunition.
- Review the entire manual, including the section on Safety, before firing your air rifle. It is designed to use the recommended Benjamin and Crosman™ lead airgun pellets of the appropriate caliber.

CAUTION: Know your airgun's loading mechanism for safest use! Pellets can be loaded either by hand directly into the barrel breech, if desired, or by using the rotary magazine. With the magazine installed, EVERY action of closing the bolt WILL place a pellet into the chamber. Removal of the magazine WILL leave this chambered pellet in place unless the airgun has been fired.

6.1 Loading the Magazine

1. Make sure air rifle is "ON SAFE" and pointed in a SAFE DIRECTION.
2. If the magazine is in the air rifle, remove it to begin loading of the magazine (see Section 7.1 "Unloading-Removing the magazine.")



Note: .25 Cal. Clip Holds 8

3. Lift the clear cover over the catch point and rotate in the direction of the arrows (clockwise) per Figure 6A. Turn until the cover appears as shown in Figure 6B.
4. Place a finger under the magazine covering the hole, place the first pellet in the magazine, nose first (Fig. 6C). Make certain the pellet does not protrude out the back of the magazine. In the event the pellet does protrude simply push the pellet inward.

5. Rotate the cover counter clockwise and place the remaining pellets into the magazine. Upon completion of filling the remaining positions rotate the cover until it comes to rest at the catch point as shown in figure 6D. The magazine is now ready for use.



6.2 Inserting the Magazine

NOTE: Following these directions will result in your gun being loaded and ready to fire.

1. Make sure air rifle is "ON SAFE" and pointed in a SAFE DIRECTION.
2. Pull the bolt back to the cocked position.
3. With the cover of the magazine facing the butt of the air rifle insert the magazine from the right side and push it inward until it snaps into place. (Fig. 7)
4. Push the bolt forward fully and latch to chamber a pellet.
5. The air rifle is now ready to fire.

	BP1764	BP2264	BP2564
MAGAZINE#	RC7710	RC2210	RC2508
CALIBER	.177	.22	.25
CAPACITY	10	10	8

7. Un-Loading and Un-Cocking

7.1 Unloading- Removing the Magazine

1. Every closure of the bolt will place a pellet into the chamber when the magazine is in place.
2. To unload the air rifle it is best practice to fire the pellet in a SAFE DIRECTION.
3. Pull the bolt back to the rear position.

CAUTION: This action WILL cock the air rifle.

4. Push the magazine out of the receiver from the left side.
5. Uncock the air rifle for safe storage. Refer to section 7.2, "Un-cocking," for instruction.

7.2 Un-Cocking

In the event you are finishing shooting, remove the magazine as instructed and un-cock the air rifle by following the steps below:

1. Point the air rifle in a SAFE DIRECTION.
2. Take the air rifle "OFF SAFE".
3. Pull the bolt back to the rear position.
4. While firmly holding the bolt in the rear position, pull the trigger.
5. Continue to hold the trigger back while sliding the bolt forward to the latched position.
6. Release the trigger.
7. Put the air rifle on "ON SAFE".
8. The air rifle is now ready for storing.

8. Removing a Jammed Pellet

WARNING: IN THIS PROCEDURE YOU WILL PUT A CLEANING ROD DOWN THE BARREL OF A CHARGED AIRGUN. IT IS EXTREMELY IMPORTANT THAT WHILE YOU ARE DOING THIS THE AIRGUN BE "ON SAFE", POINTED IN A SAFE DIRECTION, BOLT REMAINS IN THE OPEN POSITION AND THAT YOUR FINGER BE KEPT AWAY FROM THE TRIGGER. FAILURE TO FOLLOW THIS WARNING MAY RESULT IN SERIOUS INJURY OR DEATH.

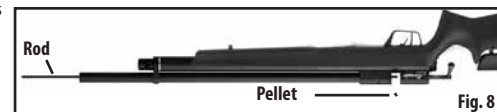
A jammed pellet is usually the result of trying to fire the airgun when the pressure is too low. Before firing the airgun make certain there is sufficient pressure for proper operation, by making sure the gauge needle is pointing to the area between 2000 and 3000 psi.

CAUTION: Never look down the barrel to see if a jam has been cleared.

1. Make sure the air rifle is "ON SAFE" and pointed in a SAFE DIRECTION.
2. Pull the bolt in the rearward position insert a clearing rod of the proper size into the barrel (start at the muzzle). (Fig. 8) The barrel could be damaged if the proper sized clearing rod is not used.

NOTE: The bolt must be cocked and open for the jammed pellet to clear the breech when it is pushed out by the ramrod.

3. Push or tap pellet towards the breech end of the barrel until the pellet is extracted from the chamber. Take care not to damage the chamber sealing o-ring. Remove and discard the pellet. Do not reuse that pellet.
4. Point the airgun in a SAFE DIRECTION, close the bolt, take "OFF SAFE" and fire.
5. Put the airgun "ON SAFE".
6. If you are not able to unjam your airgun by following this procedure, take no further action. Crosman Corporation or an Authorized Service Station will unjam your airgun. (No cost during the warranty period)



9. Maintaining Your Airgun

WARNING: EXPLOSION DANGER. DO NOT INTRODUCE PETROLEUM-BASED LUBRICANTS INTO THE HIGH PRESSURE RESERVOIR, OR IT MAY CAUSE AN EXPLOSION. FAILURE TO FOLLOW THESE INSTRUCTIONS MAY RESULT IN SERIOUS INJURY OR DEATH.

WARNING: DO NOT ATTEMPT TO REPAIR THE AIRGUN OR TO DISASSEMBLE TO CORRECT AN OVER FILL OR VALVE LOCK. PARTS CAN FLY FROM THE AIRGUN AT DANGEROUS SPEEDS WHEN IT IS DISASSEMBLED WHILE PRESSURIZED.

- Apply Crosman silicone chamber oil (part number RMC01L) on the barrel o-ring every 3 months or 500 shots. Apply with a cotton swab as shown in figure 9.
- Apply a moly graphite EP grease to the sliding bolt mechanism every 3 months or 500 shots.
- Keep all petroleum-based lubricants away from the fill nipple. They MUST NOT be introduced into the high pressure reservoir.

- DO NOT MODIFY OR ALTER YOUR AIRGUN. Attempts to modify the airgun in any way inconsistent with this manual may make your airgun unsafe to use, cause serious injury or death, and will void the warranty.
- If you drop your airgun, visually check to see that it works properly before you use it again. If anything seems changed, like a shorter or weaker trigger pull, this may mean worn out or broken parts. Call Crosman customer service for assistance before using your airgun again.

10. Advanced Tuning Techniques

10.1 Adjusting the Trigger

⚠ WARNING ADJUSTMENT OF TRIGGER SCREW (B) COULD INHIBIT PROPER FUNCTION OF THE SAFETY LEVER (F). THUS, ALWAYS CHECK FOR FULL ENGAGEMENT AND SMOOTH FUNCTION OF THE SAFETY LEVER UPON COMPLETION OF ANY CHANGES TO THE TRIGGER SCREW. IF YOU ARE NOT SURE IF THE SAFETY IS ENGAGING AND OPERATING PROPERLY, TAKE YOUR GUN TO AN EXPERIENCED GUNSMITH.

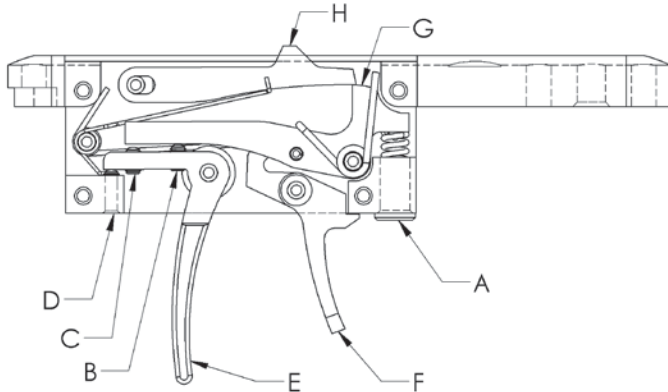
⚠ WARNING ADJUSTMENT TO THE TRIGGER ASSEMBLY COULD ALLOW THIS AIRGUN TO FIRE IF DROPPED OR JARRED, WITH OR WITHOUT THE SAFETY ENGAGED.

The trigger assembly can be adjusted and customized but unless you are experienced in making such adjustments, Crosman recommends that these adjustments to factory settings be made only by a qualified gunsmith after reading all instructions. Adjusting the trigger assembly can result in a light trigger pull, decreased sear engagement that could make the gun more susceptible to discharge when dropped or jarred, or a non-functioning safety. Make only the adjustments identified in this manual.

NOTE: these adjustment features are for advanced shooters. Most shooters can use the settings provided during manufacturing of the gun and should not need to make modifications.

The match grade trigger on your pellet air rifle is a two stage, fully adjustable unit. It has been factory set to an efficient setting that will suit most hunting and target uses. If you, as the owner, wish to alter the factory settings you should do so only after reading the following instructions carefully.

1. Put the air rifle "ON SAFE", remove the magazine and keep the airgun pointed in a SAFE DIRECTION.
2. Depressurize the airgun
3. Remove the stock screw (Fig. 12A) (using a 3/16" Allen wrench to separate the stock from the action).
4. Do not remove the trigger guard screws as the trigger guard should remain with the stock.



- A. TRIGGER WEIGHT ADJUSTER
 B. FIRST STAGE ADJUSTER
 C. SECOND STAGE ADJUSTER
 D. TRIGGER POSITION
 E. TRIGGER
 F. SAFETY LEVER
 G. LINK
 H. SEAR

5. **Trigger Pull** Using a 1/8" Allen wrench turn the adjuster screw (A) clockwise to increase trigger pull weight and counterclockwise to decrease trigger pull weight. This adjustment will not affect sear engagement.
6. **Trigger Position** using a .050" Allen wrench the trigger position at rest can be adjusted. Turn screw (D) clockwise to move the trigger back and counter clockwise to move the trigger forward. This adjustment could affect sear engagement, and therefore could allow the gun to fire when dropped or jarred.
7. **Trigger Stages** using a .050" Allen wrench for adjustment of screws (B) and (C), changes can be made to the position and length of first and second stages of the trigger motion. These adjustments could affect sear engagement, and therefore could allow the gun to fire when dropped or jarred.
 - Screw (B) changes the first stage. Turning screw (B) clockwise will increase the length of the first stage and decrease the sear engagement.
 - Turning counter clockwise will decrease the length of the first stage and increase the sear engagement.
 - Screw (C) changes the second stage. Turning screw (C) clockwise will cause the second stage to occur sooner while turning counterclockwise will cause the second stage to occur later.
8. Adjustment of screws (B) and (C) should be done in harmony with each other as they work together to create the trigger's profile.
 - Start slowly to understand what each adjustment does and its relationship to the other.
9. **Trigger Maintenance** the trigger is assembled with a moly graphite EP grease that should last for years. In the event your trigger becomes contaminated with debris and is not functioning properly, contact a qualified gunsmith to examine for repair or maintenance.
10. After adjusting your trigger, always check that the trigger and safety are functioning properly. If you are not sure if the trigger or safety is operating properly, take your gun to an experienced gunsmith.
11. Re-insert the action into the stock, and replace and tighten the stock screw.

10.2 Adjusting for Various Fill Pressures

- The airgun is designed to be tuned to work at various fill pressures from 2000 psi (138 bar) up to 3000 psi (207 bar). This is done by adjustment of the hammer spring preload and hammer stroke length. In either case the adjustment changes the amount of energy the hammer generates when striking the valve. Higher fill pressures require more hammer energy while lower fill pressures require less hammer energy.
- It is advised to always record your settings when tuning your airgun.
- The airgun has been factory set to an efficient fill pressure that will suit most hunting and target uses. If you, as the owner, wish to alter the factory settings you should do so only after reading the following instructions carefully.

10.3 Hammer Spring Pre-load adjuster

1. Put the air rifle "ON SAFE" remove the magazine and keep the airgun pointed in a SAFE DIRECTION. Remember that the airgun is pressurized and make only the adjustments identified in this manual.
2. To increase the energy, turn the hammer spring preload adjuster clockwise (Fig. 11A), up to 6 revolutions, using a 1/4" Allen wrench.

NOTE: More revolutions will simply cause the adjuster to spin but will not yield any higher force. Increasing the preload will be required to facilitate use of higher fill pressures.

The striker can be accessed through the hammer spring preload adjuster using a 1/8" Allen wrench (Fig. 11B). Turning the striker clockwise will shorten the hammer stroke and turning counter clockwise will lengthen the stroke. A long stroke length will yield higher hammer energy while a short stroke length will yield lower hammer energy. The striker can be adjusted inward by up to 12 revolutions. A starting point for low fill pressures would start with a low hammer spring preload tension and a shorter hammer stroke.

A starting point for higher fill pressures will require more hammer spring preload tension and a longer hammer stroke. Refer to the chart below for suggested combinations of these adjustments based on fill pressures.

Fill	Hammer Spring Preload	Hammer Stroke
Higher	Increase, turn adjuster in (Clockwise)	Increase. Turn Striker out (Counter Clockwise)
Lower	Decrease, turn Adjuster out (Counter Clockwise)	Decrease. Turn Striker in (Clockwise)

TIP: Too little hammer energy at high fill pressures may result in very low velocities which is the result of partial valve lock. See the Overfill section (4.3, 5) to correct. Make only the adjustments identified in this manual. Do not attempt to adjust any other parts of a pressurized airgun, or make any repairs to a pressurized airgun.

Tuning the air rifle to obtain various velocity profiles can be achieved through the adjustment of the hammer spring and the striker and should be done in harmony with each other. Start slow to understand how each one affects the air rifle's performance. Experience and testing is the best way to understand these capabilities.

⚠ WARNING DO NOT ATTEMPT TO REPAIR THE AIRGUN OR TO DISASSEMBLE TO CORRECT AN OVER FILL OR VALVE LOCK. NEVER REPAIR A PRESSURIZED GUN. PARTS CAN FLY FROM THE AIRGUN AT DANGEROUS SPEEDS WHEN IT IS DISASSEMBLED WHILE PRESSURIZED.

10.4 Tuning for Various Velocities

The airgun has been factory set to an efficient velocity that will suit most hunting and target uses. If you, as the owner, wish to alter the factory settings you should do so only after reading the following instructions carefully. Unless you are experienced with working with airguns, Crosman Corporation suggests seeking the aid of a qualified gunsmith to perform these velocity adjustment procedures.

1. Put the air rifle "ON SAFE", remove the magazine and keep the airgun pointed in a SAFE DIRECTION. Remember that the airgun is pressurized and make only the adjustments identified in this manual.
2. The airgun may be tuned for various velocities by adjusting the valve metering screw. This will require removal of the stock. Remove the stock screws (Fig. 12A) using a 3/16" Allen wrench) to separate the stock from the action. Remember the action is pressurized. Keep it pointed in a safe direction.
3. Do not remove the trigger guard screws as the trigger guard should remain with the stock.
4. Using a 5/64" Allen wrench, remove the jam set screw first to allow access to the metering screw. (Fig. 12B) (Be sure to stow the jam set screw in a safe place). Find the metering screw beneath the jam set screw previously removed. Using a 5/64" Allen wrench turns the metering screw clockwise to restrict the flow of air into the barrel and reduce the pellet velocity.

TIP: Turn the metering screw in all the way until it bottoms, counting how many turns it took to achieve the desired velocity. Record this value for future reference. 4 - 4 1/2

turns out from the bottomed position will completely clear the nose of the metering screw from the air path. Do not adjust the metering screw beyond this point. Though the metering screw will restrict air flow a great deal it will not completely shut off air flow. Replace and tighten the jam screw. Re-insert the action into the stock, and replace and tighten the stock screw.

11. Changing the Bolt Direction

The bolt direction on your PCP rifle is capable of being changed to the opposite hand. The rifle is factory assembled with the bolt handle pointing to the right. Disassembly of the Breech and Barrel assembly from the Reservoir tube assembly is required to access the parts contained within the Breech that facilitate the change to the opposite hand. Crosman Corporation recommends the use of an approved Service Station to perform the change. An approved Service Station may be found through www.crosman.com or by calling Customer Service at 1-800-724-7486.

12. Adjustable Comb

The stock comb may be adjusted up and down to suit the shooter's preference. To adjust, loosen the two set screws shown in figure 13 using a 3/32" allen wrench. Move the comb up or down then retighten the set screws gently first and trial the change. After a satisfactory position is found tighten the set screws an additional 1/8 turn to ensure the comb does not slip during use. Do not over tighten the set screws or permanent damage could occur to the stock.



Adjusting the Hammer Spring

Fig. 11A



Adjusting the Striker Hammer Spring Pre-load adjuster

Fig. 11B



Fig. 12A

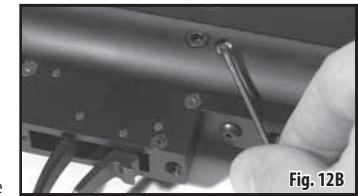


Fig. 12B

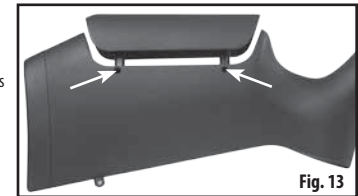


Fig. 13

SPECIFICATIONS

Mechanism	Bolt Action	
Capacity	BP1764 / BP2264 10 Shot Magazine BP2564 8 Shot Magazine	
Power source	Compressed Air	
Caliber/Ammunition	Model BP1764 .177 Caliber Pellet Model BP2264 .22 Caliber Pellet Model BP2564 .25 Caliber Pellet	
Weight	7.5 Lbs	
Length	42.5 Inches	
Barrel	Rifled Steel, Choked and Shrouded	
Safety	Ambidextrous Lever	
Velocity	Model BP1764 Adjustable Up To 1100 FPS Model BP2264 Adjustable Up To 1000 FPS Model BP2564 Adjustable Up To 900 FPS	

PERFORMANCE

Many factors affect velocity, including brand of projectile, type of projectile, lubrication, barrel condition and temperature. Many factors affect velocity, including brand of projectile and weight of projectile. Your airgun has been designed for quiet shooting. However, when using light weight pellets the sound barrier may be broken resulting in a loud muzzle report. This air rifle was designed to function best with Benjamin® and Crosman® branded ammunition. Use of other ammunition may cause the air rifle to malfunction and could cause damage to the air rifle.

LIMITED ONE YEAR WARRANTY

This product is warranted to the retail consumer for one year from date of retail purchase against defects in material and workmanship and is transferable. You should retain the original sales receipt as record of date of purchase. If no receipt, the product is warranted for one year from date of manufacture.

WHAT IS COVERED:

1. Replacement parts and labor.
2. Transportation charges to consumer for repaired product.

WHAT IS NOT COVERED:

1. Transportation charges to Authorized Service Station for defective product.
2. Damages caused by abuse, modification or failure to perform normal maintenance – see Owner's Manual.
3. Any other expense.
4. CONSEQUENTIAL DAMAGES, INCIDENTAL DAMAGES, OR INCIDENTAL EXPENSES INCLUDING DAMAGE TO PROPERTY. SOME LOCAL, STATE OR FEDERAL LAWS DO NOT ALLOW THE EXCLUSION OR LIMITATION OF INCIDENTAL OR CONSEQUENTIAL DAMAGES SO THE ABOVE LIMITATION OR EXCLUSION MAY NOT APPLY TO YOU.

IMPLIED WARRANTIES

ANY IMPLIED WARRANTIES INCLUDING THE IMPLIED WARRANTIES OF MERCHANTABILITY AND FITNESS FOR A PARTICULAR PURPOSE ARE LIMITED IN DURATION TO ONE YEAR FROM DATE OF RETAIL PURCHASE. SOME STATES DO NOT ALLOW LIMITATIONS ON HOW LONG AN IMPLIED WARRANTY LASTS SO THE ABOVE LIMITATIONS MAY NOT APPLY TO YOU.

To the extent any provision of this warranty is prohibited by federal, state or municipal law, which cannot be preempted, it shall not be applicable. This warranty gives you specific legal rights and you may have other rights, which vary, from state to state.

STOP – BEFORE YOU RETURN THIS PRODUCT TO THE STORE

Save on gas and avoid the trip back to the store. Contact our Customer Service/Technical Support representatives for information and trouble-shooting help. Call 1-800-7AIRGUN (1-800-724-7486) or find answers to frequently asked questions at www.crosman.com.

WARRANTY CLAIM AND REPAIR SERVICE

If your air gun needs repair - DO NOT ATTEMPT TO DISASSEMBLE IT! Your air gun requires special tools and fixtures to repair it. Any disassembly or modification not performed by a Crosman Authorized Service Center will void the warranty.

U.S. Customers - Contact Crosman Customer Service at 800-724-7486 or email us via www.crosman.com. You will be instructed where and how to send your air gun in for repair under warranty or referred to one of our authorized service centers in your area.

Crosman Corporation
Attn: Warranty Dept.
7629 Route 5 & 20
Bloomfield, NY 14469

Include with your product a copy of your receipt and a brief description of the problem. Be sure to indicate your name, mailing address, email address and telephone number. Allow 2-4 weeks for repairs. We recommend you use a method of shipping that provides you with a tracking number and insurance options. Crosman is not liable for any damaged, lost or stolen merchandise during shipping.

Canadian Customers - Contact the Gravel Agency, in Quebec at 866-662-4869.

Outside U.S. Customers - Please contact your point of purchase dealer/distributor. If you do not know your dealer/distributor, contact our International Dept. for assistance at 585-657-6161 or email us via www.crosman.com.

Crosman and Benjamin are trademarks of Crosman Corporation.

NOSLER is trademark of Nosler Inc. used under license by Crosman

© 2015 Crosman Corporation
05-15_0M

BENJAMIN®

**RIFLE DE AIR DEL ALTO
RENDIMIENTO PCP**



Marauder

Rifle de aire neumático precargado
(S-Culata Sintética/W-Culata de Madera)

BP1764S/BP1764W – Rifle de aire de diábolos calibre .177
BP2264S/BP2264W – Rifle de aire de diábolos calibre .22
BP2564S/BP2564W – Rifle de aire de diábolos calibre .25

MANUAL DEL PROPIETARIO

LEA TODAS LAS INSTRUCCIONES Y ADVERTENCIAS DE ESTE MANUAL ANTES DE USAR ESTE RIFLE DE AIR

Hecho en los EE.UU. con componentes obtenidos en todo el mundo.
Crosman Corporation • 7629 Rts. 5 & 20 • Bloomfield, NY 14469
800-7-AIRGUN • www.crosman.com

ADVERTENCIA: NO ES UN JUGUETE. ESTE RIFLE DE AIRE SE RECOMIENDA ÚNICAMENTE PARA SER USADO POR ADULTOS. EL USO INCORRECTO O DESCUIDADO PUEDE CAUSAR LESIONES GRAVES O LA MUERTE. PUEDE SER PELIGROSO HASTA A 1.000 YARDAS (914 METROS).

ADVERTENCIA: NO BLANDA NI MUESTRE ESTE RIFLE DE AIRE EN PÚBLICO; PUEDE CONFUNDIR A LA GENTE Y PODRÍA SER UN DELITO. LA POLICÍA Y OTRAS PERSONAS PUEDEN PENSAR QUE SE TRATA DE UN ARMA DE FUEGO. NO CAMBIE LA COLORACIÓN O LAS MARCAS DE MODO QUE TENGA UN ASPECTO MÁS PARECIDO AL DE UN ARMA DE FUEGO. ES PELIGROSO Y PODRÍA TRATARSE DE UN DELITO.

USTED Y LOS DEMÁS QUE ESTÉN CON USTED DEBEN USAR SIEMPRE ANTEOJOS PARA DISPARAR CON OBJETO DE PROTEGERSE LOS OJOS.

LEA TODAS LAS INSTRUCCIONES ANTES DE USARLO.

EL COMPRADOR Y EL USUARIO TIENEN LA OBLIGACIÓN DE OBEDECER TODAS LAS LEYES REFERENTES AL USO Y PROPIEDAD DE ESTE RIFLE DE AIRE.

ADVERTENCIA: ESTE PRODUCTO CONTIENE UNA O MÁS SUSTANCIAS QUÍMICAS QUE EL ESTADO DE CALIFORNIA HA DETERMINADO QUE OCASIONAN CÁNCER Y DEFECTOS CONGÉNITOS (U OTROS DAÑOS REPRODUCTIVOS).

ADVERTENCIA: UTILICE SOLAMENTE AIRE COMPRIMIDO EN ESTE RIFLE DE AIRE. NO USE OTROS GASES, INCLUIDO EL OXÍGENO, QUE PUEDEN CAUSAR UN INCENDIO O UNA EXPLOSIÓN CUYO RESULTADO PODRÍA SER UNA LESIÓN GRAVE O LA MUERTE.

RECUERDE QUE ESTE RIFLE DE AIRE NO ES UN JUGUETE. SIEMPRE TRATE EL RIFLE DE AIRE COMO SI ESTUVIERA CARGADO Y CON EL MISMO RESPETO QUE LETENDRÍA A UN ARMA DE FUEGO.

PRECAUCIÓN: Este rifle de aire se ha clasificado como un arma para adultos, y se recomienda sólo para ser usado por adultos. Dado que se considera como un rifle de aire de uso especial, está exento de tipos específicos de pruebas de tiro de gatillo, de mecanismo de seguridad y de caída.

Lea este manual del propietario en su totalidad. Y recuerde que un rifle de aire no es un juguete. Siga siempre cuidadosamente las instrucciones de seguridad que contiene este manual del propietario y consérvelo en un lugar seguro para utilizarlo en el futuro. Si tiene alguna pregunta sobre este producto o si necesita ayuda, no devuelva el producto a la tienda antes de hablar con Crosman. No dude en visitarnos en crosman.com o hablar con uno de nuestros cortesés representantes de servicio al cliente de lunes a viernes entre las 8:00 AM y las 4:30 PM EST. (1-800-724-7486)

1. Revisión de seguridad
2. Conozca las partes de su nuevo rifle de aire
3. Funcionamiento del seguro
4. Presurizar el rifle de aire
5. Despresurizar el rifle de aire
6. Carga del rifle de aire
7. Descargar y desarmatillar
8. Sacar un perdigón atorado
9. Mantenimiento de su rifle de aire
10. Tecnologías de afinación avanzadas
11. Cambiar la dirección del cerrojo
12. Peine ajustable

1. Revisión de seguridad

1. Trate **SIEMPRE** el rifle de aire como si estuviera cargado y listo para disparar.
2. **SIEMPRE** trate el rifle de aire con el mismo respeto que le tendría a un arma de fuego.
3. **SIEMPRE** guarde el rifle de aire descargado y lejos de los niños.
4. Quite **SIEMPRE** el cargador, asegúrese de que no haya un perdigón en la recámara y cerciórese de que el rifle de aire esté desarmatillado
5. **SIEMPRE** apunte en una DIRECCIÓN SEGURA.
6. Mantenga **SIEMPRE** la boca del rifle de aire apuntando en una DIRECCIÓN SEGURA.
7. Mantenga **SIEMPRE** el dedo apartado del gatillo y fuera del guardamonte hasta que esté listo para disparar.
8. Mantenga **SIEMPRE** el seguro del rifle de aire puesto ("ON SAFE") hasta que esté listo para disparar.
9. Compruebe **SIEMPRE** que el rifle de aire tenga el seguro puesto ("ON SAFE") y que esté descargado al sacarlo de su almacenamiento.
10. Compruebe **SIEMPRE** que el rifle de aire suave tenga el seguro puesto ("ON SAFE") y esté descargado al entregárselo a otra persona o al recibirlo de otra persona.
11. Cuide que usted y los demás utilicen **SIEMPRE** anteojos para disparar a fin de protegerse los ojos.
12. **SIEMPRE** utilice gafas para disparar sobre sus anteojos para lectura o recetados.
13. Coloque **SIEMPRE** un respaldo en un lugar que sea seguro si llegase a fallar.
14. Compruebe **SIEMPRE** el desgaste del respaldo antes y después de cada uso. Todos los respaldos están sujetos a desgaste y con el tiempo fallarán. Sustituya el respaldo si la superficie está desgastada o dañada, o si ocurre un rebote.
15. Utilice **SIEMPRE** munición del tamaño adecuado en su rifle de aire. Compruebe las marcas de su rifle de aire para verificar el tamaño de la munición.
16. **NUNCA** apunte el rifle de aire a ninguna persona o cosa a las que no tenga la intención de dispararles.
17. **NUNCA** reutilice la munición.
18. **NUNCA** dispare contra superficies duras o a la superficie del agua. El perdigón puede rebotar y golpear a alguien o algo a los que usted no tuviera intención de dispararles.
19. **NUNCA** dispare contra superficies duras o a la superficie del agua. El perdigón puede rebotar y golpear a alguien o algo a los que usted no tuviera intención de dispararles.
20. **NUNCA** intente desarmar su rifle de aire ni alterarlo. Use una estación de servicio autorizada. El uso de centros de servicio o reparación no autorizados o la modificación de la función de su rifle de aire en cualquier manera puede ser inseguro y anulará la garantía.
21. Guarde este rifle de aire cargado con aire para mantener las válvulas cerradas contra la suciedad.

ADVERTENCIA: DEBIDO A QUE ESTE RIFLE DE AIRE TIENE UN GATILLO AJUSTABLE DE GRADO DE COMPETICIÓN, PODRÍA DISPARARSE AL DEJARSE CAER O SACUDIRSE, CON O SIN EL SEGURO APLICADO.

Herramientas necesarias (no incluidas) si se siguen las técnicas de afinación avanzadas

- Llave Allen de 1/4"
- Llave Allen de 1/8"
- Llave Allen de 5/64"
- Llave Allen de .050"
- Llave Allen de 3/16"

2. Conozca las partes de su nuevo rifle de aire

Conocer los nombres y las partes de su nuevo rifle de aire le ayudará a entender su manual del propietario. (Fig. 1)

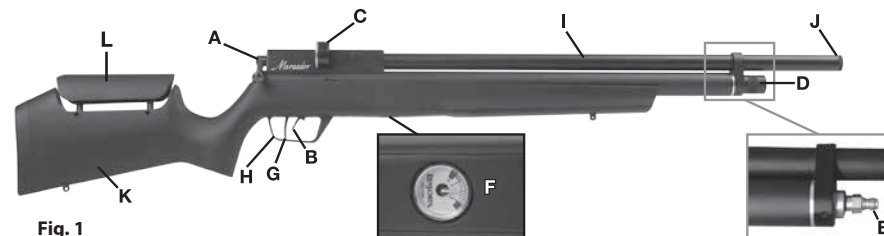


Fig. 1

- | | | | | | |
|------------|--|------------------------|----------------|----------|-----------------------|
| A. Cerrojo | C. Cargador | E. Boquilla de llenado | G. Gatillo | I. Cañón | K. Culata |
| B. Seguro | D. Tapa protectora para la boquilla de llenado | F. Medidor de presión | H. Guardamonte | J. Boca | L. Peine de la culata |

3. Funcionamiento del seguro

PRECAUCIÓN: Como todos los dispositivos mecánicos, el seguro de un rifle de aire puede fallar. Incluso con el seguro activado ("ON SAFE"), debe seguir manipulando el rifle de aire de modo seguro.

3.1 Para activar el seguro del rifle de aire ("ON SAFE"):

1. Encuentre el seguro enfrente del gatillo.
2. Las letras "F" (fuego) y "S" (seguro) en la parte inferior del guardamonte indican la posición correspondiente del seguro (Fig. 2A).
3. Empuje el seguro hacia el gatillo para activarlo. El seguro está puesto y el rifle de aire está "ON SAFE" cuando la palanca está en posición retrasada (cerca del gatillo). (Fig. 2B)

3.2 Para quitar el seguro del rifle de aire ("OFF SAFE")

Empuje el seguro a la posición adelantada (alejada del gatillo). Cuando el rifle de aire tiene el seguro quitado ("OFF SAFE"), está listo para dispararse después de haber seguido las instrucciones de este manual sobre cómo llenarlo y cargarlo. (Fig. 2C)



Fig. 2A



Fig. 2B



Fig. 2C

ADVERTENCIA: MANTENGA EL RIFLE CON EL SEGURO PUESTO ("ON SAFE") HASTA QUE ESTÉ REALMENTE LISTO PARA DISPARAR. LUEGO EMPUJE LA PALANCA DEL SEGURO A LA POSICIÓN DE DESACTIVADO ("OFF SAFE").

4. Presurizar el rifle de aire

Este rifle de aire está diseñado para usarlo con presiones entre 2.000 y 3.000 psi, dependiendo de la forma en que usted, como usuario, ajuste (afine) el rifle para que funcione.

NOTA: Antes de disparar el rifle de aire, cerciórese de que tiene suficiente presión para funcionar correctamente. La aguja del medidor debe apuntar a la zona entre 1000 y 3000 psi en el medidor.

ADVERTENCIA: RIESGO DE EXPLOSIÓN. UTILICE SOLAMENTE AIRE COMPRIMIDO EN ESTE RIFLE DE AIRE. NO USE OTROS GASES, INCLUIDO EL OXÍGENO, QUE PUEDEN CAUSAR UN INCENDIO O UNA EXPLOSIÓN CUYO RESULTADO PODRÍA SER UNA LESIÓN GRAVE O LA MUERTE.

ADVERTENCIA: DESCONECTAR LA MANGUERA DE LLENADO DEL RIFLE DE AIRE SIN PURGAR ÉSTE PRIMERO PUEDE DAR COMO RESULTADO LESIONES POR LATIGAZOS DE LA MANGUERA COMO CONSECUENCIA DE LA PRESIÓN QUE TIENE.

4.1 Presurizar (llenar) el rifle de aire con una bomba de mano

1. Asegúrese de utilizar protección para los ojos
2. Asegúrese de que el rifle de aire esté descargado y no amartillado. (Vea en la sección 7 las instrucciones para descargar y desarmatillar).
3. Lea todas las instrucciones de su bomba de mano para estar familiarizado con su funcionamiento. Utilice únicamente una bomba diseñada para llenar un rifle de aire precargado y equipada con un accesorio de desconexión rápida Foster N° 12FS. No utilice un compresor de aire estándar ni una bomba de bicicleta.
4. Asegúrese de que el rifle de aire tenga el seguro activado ("ON SAFE") y esté apuntando en una DIRECCIÓN SEGURA.
5. Quite el tapón roscado que cubre la boquilla de llenado del rifle de aire girándolo a la izquierda.
6. Conecte el accesorio de desconexión rápida de la manguera de la bomba de mano a la boquilla de llenado (Fig. 3)
7. Asegúrese de que la válvula de purga de la bomba de mano esté completamente cerrada (apriétela en dirección de las manecillas del reloj) (Fig. 4).



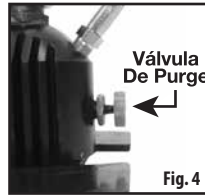
Fig. 3

- Comience a bombear y continúe hasta que las agujas del medidor de su bomba y del rifle de aire estén entre 2000 psi y 3000 psi según su afinación deseada.
- NO LLENE el rifle de aire a más de 3000 psi. Vea la información de "llenado excesivo" en la sección 4.3.
- Abra el tornillo de purga de la base de la bomba rápidamente a la izquierda para purgar COMPLETAMENTE la manguera. Debe purgar la manguera de llenado COMPLETAMENTE para evitar que latiguee debido a la presión en su interior.
- Desconecte la bomba de la boquilla de llenado del arma
- Vuelva a colocar el tapón sobre la boquilla de llenado y apriételo. Mantenga siempre la boquilla de llenado tapada para eliminar la posibilidad de que entre suciedad en la válvula de seguridad.

4.2 Presurizar (llenar) el rifle de aire con un tanque de alta presión

Su rifle de aire se puede llenar con un tanque de alta presión (botella) como el cilindro del sistema de carga Benjamin de 90 pulgadas cúbicas (81001). También se pueden utilizar para esta tarea tanques de buceo. En el caso de los tanques de buceo, utilice el adaptador de yugo de buceo Crosman FAH003.

- Asegúrese de utilizar protección para los ojos
- Asegúrese de que el rifle de aire esté descargado y no amartillado. (Vea en la sección 7 las instrucciones para descargar y desamartillar).
- Lea todas las instrucciones de su tanque para estar familiarizado con su funcionamiento.
- Asegúrese de que el rifle de aire tenga el seguro activado ("ON SAFE") y esté apuntando en una DIRECCIÓN SEGURA.
- Quite el tapón que cubre la boquilla de llenado del rifle de aire.
- Conecte el accesorio de desconexión rápida de la manguera del adaptador a la boquilla de llenado (Fig. 3).
- Abra lentamente la válvula de su tanque y empiece a llenar el arma LENTAMENTE. Llenar demasiado rápidamente provocará una acumulación de calor que puede afectar la precisión de la presión de llenado.
- Mire los medidores del rifle de aire y del tanque (si lo tiene) hasta alcanzar la presión deseada (2000-3000 psi)
- NO LLENE el rifle de aire a más de 3000 psi. Vea la información de "llenado excesivo" en la sección 4.3.
- Cierre la válvula del tanque cuando se alcance la presión de llenado deseada.
- PURGUE la manguera de llenado COMPLETAMENTE para evitar que latiguee debido a la presión en su interior.
- Desconecte la manguera de llenado del tanque de la boquilla de llenado del rifle de aire.
- Vuelva a colocar el tapón sobre la boquilla de llenado y apriételo. Mantenga siempre la boquilla de llenado tapada para eliminar la posibilidad de que entre suciedad en la válvula de seguridad.



SUGERENCIA: Si su rifle de aire se llena a partir de estar totalmente vacío (presión cero), la tensión del martillo presionando contra la válvula puede mantener ésta abierta, lo que hará que el aire escape cañón abajo. Es más probable que esto ocurra con un rifle afinado para presiones de llenado altas, donde la precarga del muelle del martillo se ajusta a una tasa alta. En caso de que ocurra esto, intente amartillar el cerrojo y dejarlo en posición trasera (completamente abierto) para eliminar la fuerza sobre la válvula, permitiendo que se cierre. Asegúrese siempre de que el rifle de aire no esté cargado y no tenga un perdigón en la recámara.

4.3 Llenado excesivo

- Llenar excesivamente más allá de la mejor presión de llenado "según afinación" no mejora el desempeño. De hecho, disminuirá el desempeño y puede ocasionar que se bloquee la válvula. Por ejemplo, un rifle sintonizado para un mejor rendimiento a 2.000 psi puede bloquear su válvula parcialmente a 3000 psi. Si descubre que el rifle de aire se ha llenado en exceso, intente dispararlo en seco (amartillar y disparar sin tener perdigón cargado) en una DIRECCIÓN SEGURA hasta que la presión de su rifle de aire caiga a 3.000 psi o menos, dependiendo de dónde esté la mejor presión de llenado de su rifle según la afinación.
- Si el rifle de aire no descarga el aire con cada disparo, la válvula puede estar totalmente bloqueada por la presión y exigirá el uso de la herramienta de desgasificación (Se vende por separado en Crosman.com). Siga las instrucciones incluidas con la herramienta de desgasificación para despresurizar completa o parcialmente el rifle de aire.



5. Despresurizar el rifle de aire

Es mejor guardar su rifle de aire, como la mayoría las armas de aire PCP, con cierta presión en el depósito. Esto mantiene los sellos en el rifle de aire forzados contra las superficies de sellado. En caso de que quiera o necesite despresurizarlo (por ejemplo, para darle servicio) siga los siguientes pasos:

5.1 Método de disparo en seco

- Mantenga el rifle de aire apuntando en una DIRECCIÓN SEGURA.
- Extraiga todo el aire de su rifle del aire amartillando y disparando en seco varias veces (con el rifle de aire apuntando en una DIRECCIÓN SEGURA) hasta que el medidor de presión del rifle de aire muestre que no hay ninguna presión y no se pueda escuchar aire cuando se dispara un tiro.
- Ponga el seguro del rifle de aire ("ON SAFE").



5.2 Método de la herramienta de desgasificación

ADVERTENCIA: REALIZAR EL SIGUIENTE PROCEDIMIENTO EVACUARÁ EL AIRE POR EL CAÑÓN A UNA GRAN VELOCIDAD Y PODRÍA DESCARGAR UN PERDIGÓN QUE ESTUVIERA EN LA RECÁMARA. ASEGÚRESE SIEMPRE DE QUE EL RIFLE DE AIRE ESTÉ APUNTANDO EN UNA DIRECCIÓN SEGURA

Asegúrese de que el rifle de aire no esté en posición de amartillado haciendo lo siguiente:

- Asegúrese de que el rifle de aire tenga el seguro activado ("ON SAFE") y esté apuntando en una DIRECCIÓN SEGURA.
- Quitar el cargador (vea la sección 7.1)
- Cerrar el cerrojo del rifle de aire deslizando hacia adelante y cerrándolo.
- Tirar del gatillo.
- Inserte la herramienta de desgasificación (NO incluida) en el tapón roscado como se muestra en la Figura 5A.
- Gire a la derecha la herramienta dentro del rifle de aire hasta que note resistencia. Esto indicará que la punta de la herramienta ha entrado en contacto con la válvula interna.
- Retire completamente del rifle de aire la herramienta de desgasificación. Dejar la herramienta en el rifle de aire interferirá con el funcionamiento normal del mecanismo de disparo.
- Amartille el rifle de aire y dispárelo en seco (sin perdigón) en una DIRECCIÓN SEGURA para asegurarse de que se haya liberado toda la presión del rifle de aire.
- Compruebe el medidor para asegurarse de que toda la presión se ha liberado del rifle de aire.

6. Carga del rifle de aire

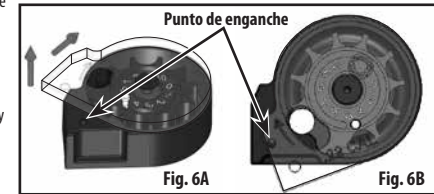
PRECAUCIÓN: El rifle de aire se diseñó para funcionar mejor con perdigones de plomo para rifle de aire BENJAMIN® y CROSMAN®.

- El uso de otro tipo de munición puede causar un mal funcionamiento del rifle de aire y podría ocasionarle daños.
- Nunca reutilice la munición.
- Revise todo este manual, incluida la sección sobre Seguridad, antes de disparar su rifle de aire. Está diseñado para utilizar los perdigones de plomo para rifle de aire Benjamin y Crosman® recomendados del calibre correspondiente.

PRECAUCIÓN: ¡Conozca el mecanismo de carga de su rifle de aire para un uso más seguro! Los perdigones se pueden cargar bien a mano directamente en la recámara del cañón, si lo desea, o utilizando el cargador giratorio. Con el cargador instalado, TODA acción de cierre del cerrojo COLOCARÁ un perdigón en la recámara. Quitar el cargador DEJARÁ en su sitio este perdigón en la recámara, a menos que se haya disparado el rifle de aire.

6.1 Llenado del cargador

- Asegúrese de que el rifle de aire tenga el seguro activado ("ON SAFE") y esté apuntando en una DIRECCIÓN SEGURA.
- Si el cargador está en el rifle de aire, retirelo para iniciar la carga del mismo (véase la sección 7.1 "Descarga - Quitar el cargador giratorio").
- Levante la cubierta transparente sobre el punto de cierre y gírela en dirección de las flechas (a la derecha) según la Figura 6A. Gire hasta que la cubierta tenga el aspecto que se muestra en la Figura 6B.
- Coloque un dedo debajo del cargador cubriendo el agujero, coloque el primer perdigón en el cargador con la punta hacia adelante (Fig. 6C). Asegúrese de que el perdigón no sobresalga por la parte posterior del cargador. En caso de que el perdigón sobresalga, simplemente empujelo hacia adentro.
- Gire la cubierta a la izquierda y coloque los perdigones restantes en el cargador. Al terminar de llenar las posiciones restantes, gire la cubierta hasta que descansa en el punto de cierre como se muestra en figura 6D. El cargador está ahora listo para usarse.



6.2 Insertar el cargador

NOTA: Al seguir estas indicaciones, su arma quedará cargada y lista para disparar.

- Asegúrese de que el rifle de aire tenga el seguro activado ("ON SAFE") y esté apuntando en una DIRECCIÓN SEGURA.
- Tire del cerrojo para amartillarlo de nuevo.
- Con la cubierta del cargador mirando hacia la culata del rifle de aire, inserte el cargador desde el lado derecho y empujelo hacia dentro hasta que entre en su sitio a presión. (Fig. 7)
- Para poner un perdigón en la recámara, empuje el cerrojo completamente hacia adelante y ciérrelo.
- El rifle de aire está ahora listo para disparar.



	BP1764	BP2264	BP2564
CARGADOR N°#	RC7710	RC2210	RC2508
CALIBRE	.177	.22	.25
CAPACIDAD	10	10	8

7. Descargar y desamartillar

7.1 Descargar - Quitar el cargador

- Cada cierre del cerrojo colocará un perdigón en la recámara cuando el cargador esté en su lugar.
- Para descargar el rifle de aire, la mejor práctica es disparar el perdigón en una DIRECCIÓN SEGURA.
- Tire del cerrojo para colocarlo en la posición trasera.

PRECAUCIÓN: Esta acción AMARTILLARÁ el rifle de aire.

- Empuje el cargador para sacarlo del receptor por el lado izquierdo.
- Desamartille el rifle de aire para guardarlo con seguridad. Consulte la sección 7.2, "Desamartillar", para ver instrucciones.

7.2 Desamartillar

En caso de que haya terminado de disparar, extraiga el cargador según lo indicado y desamartille el rifle de aire siguiendo los pasos siguientes:

- Apunte el rifle de aire en una DIRECCIÓN SEGURA.
- Quite el seguro del rifle de aire ("OFF SAFE").
- Tire del cerrojo para colocarlo en la posición trasera.
- Mientras sostiene firmemente el cerrojo en la posición trasera, tire del gatillo.
- Siga sosteniendo el gatillo apretado mientras desliza el cerrojo hacia adelante a la posición de cierre.
- Suelte el gatillo.
- Ponga el seguro del rifle de aire ("ON SAFE").
- El rifle de aire está ahora listo para guardarse.

8. Sacar un perdigón atorado

ADVERTENCIA: EN ESTE PROCEDIMIENTO, INTRODUCIRÁ UNA BAQUETA DE LIMPIEZA POR EL CAÑÓN DE UN RIFLE DE AIRE CARGADO. ES EXTREMADAMENTE IMPORTANTE QUE, MIENTRAS HACE ESTO, EL RIFLE DE AIRE TENGA EL SEGURO PUESTO ("ON SAFE"), APUNTADO EN UNA DIRECCIÓN SEGURA, QUE EL CERROJO SE MANTENGA ABIERTO Y QUE CONSERVE EL DEDO APARTADO DEL GATILLO. LA OMISIÓN EN EL CUMPLIMIENTO DE ESTA ADVERTENCIA PUEDE OCASIONAR LESIONES GRAVES O LA MUERTE.

Un perdigón atorado es generalmente el resultado de intentar disparar el rifle de aire con demasiado poca presión. Antes de disparar el rifle de aire, asegúrese de que hay suficiente presión para un funcionamiento adecuado, cerciorándose de que la aguja del medidor esté apuntando al área entre 2000 y 3000 psi.

PRECAUCIÓN: Nunca mire por el cañón para ver si se ha eliminado un atascamiento.

1. Asegúrese de que el rifle de aire tenga el seguro activado ("ON SAFE") y esté apuntando en una DIRECCIÓN SEGURA.
2. Tire del cerrojo a su posición trasera e inserte una baqueta de limpieza del tamaño adecuado en el cañón (empiece por la boca). (Fig. 8) Se puede dañar el cañón si no se usa una varilla de limpieza del tamaño adecuado.

NOTA: El perno debe estar amarrillado y abierto para que el perdigón atorado supere la recámara cuando lo empuje la baqueta.

3. Empuje o golpee los perdigones hacia el extremo de la recámara del cañón hasta que el perdigón se extraiga de la recámara. Cuide de no dañar la junta tórica que sella la recámara. Quite el perdigón y deséchelo. No reutilice este perdigón.
4. Apunte el rifle de aire en una DIRECCIÓN SEGURA, cierre el cerrojo, quite el seguro ("OFF SAFE") y dispare.
5. Ponga el seguro del rifle de aire ("ON SAFE").
6. Si no puede desatascar el rifle de aire siguiendo este procedimiento, no emprenda ninguna otra acción. Crosman Corporation o una estación de servicio autorizada desatascarán su rifle de aire. (Sin costo durante el periodo de garantía).



9. Mantenimiento de su rifle de aire

ADVERTENCIA: RIESGO DE EXPLOSIÓN. NO INTRODUCZA LUBRICANTES CON BASE DE PETRÓLEO EN EL DEPÓSITO DE ALTA PRESIÓN, O PODRÍA CAUSAR UNA EXPLOSIÓN. NO SEGUIR ESTAS INSTRUCCIONES PUEDE DAR COMO RESULTADO LESIONES GRAVES O LA MUERTE.

ADVERTENCIA: NO INTENTE REPARAR EL RIFLE DE AIRE O DESMONTARLO PARA CORREGIR UN LLENADO EXCESIVO O UN BLOQUEO DE VÁLVULA. PUEDEN SALIR VOLANDO PIEZAS DEL RIFLE DE AIRE A VELOCIDADES PELIGROSAS SI SE DESARMA ESTANDO PRESURIZADO.

- Aplique aceite de silicón Crosman para la recámara (número de pieza RMCOIL) en la junta tórica del cañón cada 3 meses o 500 tiros. Aplíquelo con una torunda de algodón como se muestra en la figura 9.
- Aplique una grasa EP grafito moly en el mecanismo de cerrojo deslizante cada 3 meses o 500 tiros.
- Mantenga todos los lubricantes con base de petróleo alejados de la boquilla de llenado. NO DEBEN introducirse en el depósito de alta presión.
- NO MODIFIQUE NI ALTERE SU RIFLE DE AIRE. Los intentos de modificar el rifle de aire de cualquier forma que sea contraria a este manual pueden hacer que su rifle de aire sea inseguro para usarse, causar lesiones graves o la muerte, y anularán la garantía.
- Si deja caer su rifle de aire, compruebe visualmente que funcione correctamente antes de volver a utilizarlo. Si cualquier cosa parece haber cambiado, como un tiro de gatillo más corto o más débil, puede significar que hay piezas desgastadas o rotas. Llame a Servicio al Cliente de Crosman para obtener ayuda antes de usar nuevamente su rifle de aire.

10. Tecnologías de afinación avanzadas

10.1 Ajuste del gatillo

ADVERTENCIA: EL AJUSTE DEL TORNILLO DE GATILLO (B) PUEDE INHIBIR EL FUNCIONAMIENTO CORRECTO DE LA PALANCA DEL SEGURO (F). POR LO TANTO, COMPRUEBE SIEMPRE EL ACCIONAMIENTO ADECUADO Y EL FUNCIONAMIENTO SUAVE DE LA PALANCA DEL SEGURO DESPUÉS DE LLEVAR A CABO CUALQUIER CAMBIO EN EL TORNILLO DEL GATILLO. SI NO ESTÁ SEGURO DE SI EL SEGURO ESTÁ ACCIONÁNDOSE Y FUNCIONANDO CORRECTAMENTE, LLEVE SU RIFLE A UN ARMERO EXPERIMENTADO.

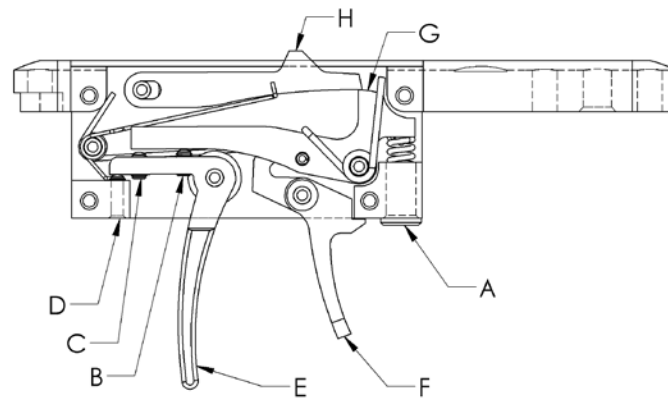
ADVERTENCIA: EL AJUSTE DEL CONJUNTO DEL GATILLO PODRÍA PERMITIR QUE ESTE RIFLE DE AIRE SE DISPARE SI SE DEJA CAER O SE SACUDE, CON O SIN EL SEGURO APLICADO.

El conjunto del gatillo puede ajustarse y modificarse, pero a menos que tenga experiencia haciendo tales ajustes, Crosman recomienda que dichos ajustes a los valores de fábrica sólo los haga un armero calificado después de leer todas las instrucciones. Ajustar el conjunto del gatillo puede dar como resultado un tiro del gatillo ligero, menor accionamiento de la barra del trinquete que podría hacer que el rifle sea más susceptible a descargarse si se deja caer o se sacude, o que el seguro deje de funcionar. Haga únicamente los ajustes identificados en este manual.

NOTA: estas características de ajuste son para tiradores avanzados. La mayoría de los tiradores puede utilizar los ajustes proporcionados durante la fabricación del rifle y no deberían tener necesidad de hacer modificaciones.

El gatillo de grado de competición de su rifle de aire de perdigones es una unidad de dos etapas, completamente ajustable. Se ha configurado de fábrica a un ajuste eficiente que será adecuado para la mayoría de usos de caza y tiro al blanco. Si usted, como propietario, desea modificar los ajustes de fábrica, debe hacerlo sólo después de leer cuidadosamente las siguientes instrucciones.

1. Ponga el seguro del rifle de aire ("ON SAFE"), quite el cargador y mantenga el rifle de aire apuntando en una DIRECCIÓN SEGURA.
2. Despresurizar el rifle de aire.
3. Quite el tornillo de la culata (Fig. 12A) (con una llave Allen de 3/16") para separar la culata de la acción.
4. No quite los tornillos del guardamonte, ya que éste debe quedar con la culata.



- A. AJUSTADOR DE PESO DEL GATILLO
B. AJUSTADOR DE LA PRIMERA ETAPA
C. AJUSTADOR DE LA SEGUNDA ETAPA
D. POSICIÓN DEL GATILLO
E. GATILLO
F. PALANCA DEL SEGURO
G. ENLACE
H. BARRA DEL TRINQUETE

5. **Tiro del gatillo** Con una llave Allen de 1/8" gire el tornillo de ajuste (A) a la derecha para aumentar el peso de tiro del gatillo y hacia la izquierda para reducirlo. Este ajuste no afectará el enganche de la barra del trinquete.
6. **Posición del gatillo** Con una llave Allen de .050" se puede ajustar la posición del gatillo en reposo. Gire el tornillo (D) hacia la derecha para mover el gatillo hacia atrás y a la izquierda para moverlo hacia adelante. Este ajuste podría afectar el enganche de la barra del trinquete y por tanto podría permitir que el rifle se dispare si se deja caer o se sacude.
 - El tornillo (B) cambia la primera etapa. Girar el tornillo (B) a la derecha aumentará la longitud de la primera etapa y disminuirá el enganche de la barra del trinquete.
 - Girar a la izquierda reducirá la longitud de la primera etapa y aumentará el enganche de la barra del trinquete.
 - El tornillo (C) cambia la segunda etapa. Girar el tornillo (C) hacia la derecha hará que la segunda etapa ocurra antes, mientras que girarlo hacia la izquierda hará que la segunda etapa se produzca más tarde.
7. **Etapas del gatillo** Se pueden hacer cambios a la posición y longitud de la primera y segunda etapas del movimiento del gatillo utilizando una llave Allen de .050" para el ajuste de los tornillos (B) y (C). Estos ajustes podrían afectar el enganche de la barra del trinquete y por tanto podrían permitir que el rifle se dispare si se deja caer o se sacude.
 - El ajuste de los tornillos (B) y (C) debe hacerse en armonía uno con otro, dado que trabajan juntos para crear el perfil del gatillo.
 - Comience lentamente a entender lo que hace cada uno de los ajustes y su relación con el otro.
8. **Mantenimiento del gatillo** El gatillo está ensamblado con una grasa de grafito moly EP que debe durar años. En el caso de que el gatillo se contamine con desechos y no funcione correctamente, póngase en contacto con un armero calificado para que lo examine a fin de practicarle reparación o mantenimiento.
9. **Después de ajustar el gatillo, compruebe siempre que el gatillo y el seguro estén funcionando correctamente.** Si no está seguro de si el gatillo o el seguro están funcionando correctamente, lleve su rifle a un armero experimentado.
10. **Vuelva a insertar la acción en la culata y, a continuación, reemplace y apriete el tornillo de la culata.**

10.2 Ajuste para diversas presiones de llenado

- El rifle de aire está diseñado para afinarse a fin de funcionar a diversas presiones de llenado, desde 2000 psi (138 bar) hasta 3000 psi (207 bar). Esto se realiza ajustando la precarga del muelle del martillo y la longitud de carrera del mismo. En cualquier caso, el ajuste cambia la cantidad de energía que genera el martillo al golpear la válvula. Las mayores presiones de llenado requieren más energía del martillo, mientras que las presiones de llenado más pequeñas requieren menos energía del martillo.
- Se aconseja siempre registrar sus ajustes al afinar su rifle de aire.
- El rifle de aire se ha ajustado de fábrica a una presión de llenado eficiente que será adecuada a la mayoría de usos para caza y tiro al blanco. Si usted, como propietario, desea modificar los ajustes de fábrica, debe hacerlo sólo después de leer cuidadosamente las siguientes instrucciones.

10.3 Ajustador de precarga del muelle del martillo

1. Ponga el seguro del rifle de aire ("ON SAFE"), quite el cargador y mantenga el rifle de aire apuntando en una DIRECCIÓN SEGURA. Recuerde que el rifle de aire está bajo presión y hacer únicamente los ajustes identificados en este manual.
2. Para aumentar la energía, gire el ajustador de precarga del muelle del martillo a la derecha (Fig. 11A), hasta 6 vueltas, utilizando una llave Allen de 1/4".

NOTA: Más vueltas simplemente harán que el ajustador gire, pero no aportarán ninguna fuerza adicional. Será necesario aumentar la precarga para facilitar el uso de presiones de llenado más altas.

Se puede acceder al percutor a través del ajustador de precarga del muelle del martillo con una llave Allen de 1/8" (Fig. 11B). Girar el percutor a la derecha acortará el recorrido del martillo y girarlo a la izquierda prolongará el recorrido. Una longitud grande del recorrido producirá mayor energía del martillo, mientras que una longitud corta producirá menor energía del martillo. El percutor se puede ajustar hacia adentro en hasta 12 vueltas. Un punto de partida para las presiones de llenado bajas comenzaría con una baja tensión de precarga del muelle del martillo baja y un recorrido más corto del mismo.

Un punto de partida para las presiones de llenado altas requerirá más tensión de precarga del muelle del martillo y un recorrido más largo del mismo. Consulte la tabla que aparece abajo para ver combinaciones sugeridas de estos ajustes basados en las presiones de llenado.

Lenar	Precarga del muelle del martillo	Recorrido del martillo
Más alta	Aumentar, gire el ajustador hacia adentro (Derecha)	Aumentar. Girar el percutor hacia afuera (Izquierda)
Menor	Disminuir, gire el ajustador hacia afuera (Derecha)	Izquierda Reducir. Girar el percutor hacia adentro (Derecha)



SUGERENCIA: Muy poca energía del martillo a presiones de llenado altas puede dar como resultado velocidades muy bajas, que son consecuencia del bloqueo parcial de la válvula. Vea la sección de Sobrellenado (4.3, 5) para corregirlo. Haga únicamente los ajustes identificados en este manual. No intente ajustar ninguna otra pieza de un rifle de aire presurizado, ni realizar ninguna reparación en un rifle de aire presurizado.

La afinación del rifle de aire para obtener varios perfiles de velocidad puede hacerse mediante el ajuste del muelle del martillo y el percutor, y debe hacerse en armonía uno con el otro. Empiece lentamente para comprender cómo cada uno de ellos afecta el rendimiento del rifle de aire. La experiencia y las pruebas son la mejor manera de entender estas capacidades.

ADVERTENCIA: NO INTENTE REPARAR EL RIFLE DE AIRE O DESMONTARLO PARA CORREGIR UN LLENADO EXCESIVO O UN BLOQUEO DE VÁLVULA. NO REPARE NUNCA UN ARMA PRESURIZADA. PUEDEN SALIR VOLANDO PIEZAS DEL RIFLE DE AIRE A VELOCIDADES PELIGROSAS SI SE DESARMA ESTANDO PRESURIZADO.

10.4 Afinación para diversas velocidades

El rifle de aire se ha ajustado de fábrica a una velocidad eficiente que será adecuada para la mayoría de usos de caza y tiro al blanco. Si usted, como propietario, desea modificar los ajustes de fábrica, debe hacerlo sólo después de leer cuidadosamente las siguientes instrucciones. A menos que tenga experiencia trabajando con armas de aire, Crosman Corporation le sugiere obtener la ayuda de un armero calificado para realizar estos procedimientos de ajuste de velocidad.

1. Ponga el seguro del rifle de aire ("ON SAFE"), quite el cargador y mantenga el rifle de aire apuntando en una DIRECCIÓN SEGURA. Recuerde que el rifle de aire está bajo presión y hacer únicamente los ajustes identificados en este manual.
2. El rifle de aire puede ajustarse para diversas velocidades mediante el ajuste del tornillo de medición de la válvula. Esto exigirá que se quite la culata. Quite los tornillos de la culata (Fig. 12A) (con una llave Allen de 3/16") para separar la culata de la acción. Recuerde que la acción está presurizada. Manténgala apuntada en una dirección segura.
3. No quite los tornillos del guardamonte, ya que éste debe quedar con la culata.
4. Con una llave Allen de 5/64", quite primero el tornillo de ajuste de bloqueo para permitir el acceso al tornillo de medición. Asegúrese de guardar el tornillo de ajuste de bloqueo en un lugar seguro. (Fig. 12B) Encuentre el tornillo de medición bajo el tornillo de ajuste de bloqueo que quitó previamente. Con una llave Allen de 5/64", gire el tornillo de medición hacia la derecha para restringir el flujo de aire hacia el cañón y reducir la velocidad del perdigón.

SUGERENCIA: Gire el tornillo de medición completamente hasta que toque fondo, contando cuántas vueltas se necesitaron para alcanzar la velocidad deseada. Registre este valor para consultarlo posteriormente. Entre 4 y 4 1/2 vueltas desde la posición de fondo liberará completamente la punta del tornillo de la medición de la vía aérea. No ajuste el tornillo de medición más allá de este punto. Aunque el tornillo de medición restringirá mucho el flujo de aire, no apagará totalmente el flujo de aire. Reemplace y apriete el tornillo de bloqueo. Vuelva a insertar la acción en la culata y, a continuación, reemplace y apriete el tornillo de la culata.

11. Cambiar la dirección del cerrojo

La dirección del cerrojo de su rifle PCP se puede cambiar a la mano contraria. El rifle está ensamblado de fábrica con la palanca del cerrojo mirando a la derecha. Es necesario desensamblar el conjunto de la recámara y el cañón del conjunto del tubo del depósito para acceder a las piezas contenidas dentro de la recámara que permiten el cambio a la mano contraria. Crosman Corporation recomienda el uso de una estación de servicio autorizada para realizar el cambio. Se puede encontrar una estación de servicio autorizada mediante www.crosman.com o llamando a Servicio al Cliente al 1-800-724-7486.

12. Peine ajustable

El peine de la culata se puede ajustar hacia arriba y hacia abajo para adaptarse a las preferencias del tirador. Para ajustarlo, afloje los dos tornillos de fijación que se muestran en la figura 13 utilizando una llave allen de 3/32". Mueva el peine hacia arriba o hacia abajo y luego vuelva a apretar los tornillos de fijación, primero suavemente y pruebe el cambio. Después de encontrar una posición satisfactoria, apriete los tornillos de fijación 1/8 de vuelta adicional para asegurarse de que el peine no se deslice durante el uso. No apriete los tornillos de fijación en exceso, ya que podría causarle daños permanentes a la culata.



Fig. 12A



Fig. 12B



Fig. 13

ESPECIFICACIONES

Mecanismo	Acción de cerrojo
Capacidad	BP1764 / BP2264 Cargador de 10 tiros BP2564 Cargador de 8 tiros
Fuente de alimentación	Aire comprimido
Calibre/munición	Modelo BP1764 Perdigón calibre .177 Modelo BP2264 Perdigón calibre .22 Modelo BP2564 Perdigón calibre .25
Peso	7,5 lb
Longitud	42,5 pulgadas
Cañón	Acero estriado, con estrechamiento de salida y enfundado
Seguro	Palanca ambidiestra
Velocidad	Modelo BP1764 Ajustable hasta a 1100 FPS Modelo BP2264 Ajustable hasta a 1000 FPS Modelo BP2564 Ajustable hasta a 900 FPS

DESEMPEÑO

Muchos factores afectan a la velocidad, entre ellos la marca y tipo del proyectil, la lubricación, el estado del cañón y la temperatura. Muchos factores afectan a la velocidad, entre ellos la marca del proyectil y su peso. Su rifle de aire se ha diseñado para disparar silenciosamente. Sin embargo, al usar perdigones de peso ligero, se puede romper

la barrera del sonido dando lugar a una fuerte explosión en la boca del arma. Este rifle de aire se diseñó para funcionar mejor con munición de las marcas Benjamin[®] y Crosman[®]. El uso de otro tipo de munición puede causar un mal funcionamiento del rifle de aire y podría ocasionarle daños a éste.

GARANTÍA LIMITADA POR UN AÑO

Este producto está garantizado al consumidor al menudeo contra defectos de materiales o mano de obra durante un año desde la fecha de la compra al menudeo y la garantía es transferible. Debe conservar el recibo original de venta como registro de la fecha de la compra. Si no hay recibo, este producto está garantizado durante un año desde la fecha de su fabricación.

QUÉ ESTÁ CUBIERTO:

1. Piezas de reemplazo y mano de obra.
2. Cargos por transporte del producto reparado al consumidor.

QUÉ NO ESTÁ CUBIERTO:

1. Cargos por transporte del producto defectuoso a la estación de servicio autorizada.
2. Daños causados por maltrato, modificación u omisión en la realización del mantenimiento normal; vea el manual del propietario.
3. Cualquier otro gasto.
4. DAÑOS CONSECUCIONALES, DAÑOS INCIDENTALES O GASTOS INCIDENTALES, INCLUIDOS LOS DAÑOS A LA PROPIEDAD. ALGUNAS LEYES LOCALES, ESTATALES O FEDERALES NO PERMITEN LA EXCLUSIÓN O LIMITACIÓN DE LOS DAÑOS Y PERJUICIOS INCIDENTALES O CONSECUCIONALES, DE MODO QUE LA LIMITACIÓN O EXCLUSIÓN ARRIBA INDICADA PODRÍA NO APLICARSE A USTED.

GARANTÍAS IMPLÍCITAS

CUALQUIER GARANTÍA IMPLÍCITA, INCLUIDAS LAS GARANTÍAS IMPLÍCITAS DE COMERCIABILIDAD E IDONEIDAD PARA UN OBJETIVO DETERMINADO, TIENEN UNA DURACIÓN LIMITADA DE UN AÑO A PARTIR DE LA FECHA DE LA COMPRA AL MENEDEO. ALGUNOS ESTADOS NO PERMITEN LIMITACIONES A CUÁNTO TIEMPO DURA UNA GARANTÍA IMPLÍCITA, DE MODO QUE LAS LIMITACIONES ANTERIORES PODRÍAN NO APLICARSE A USTED.

En la medida en que cualquier disposición de esta garantía esté prohibida por las leyes federales, estatales o municipales, que no puedan anticiparse, no será aplicable. Esta garantía le otorga derechos legales concretos y es posible que tenga también otros derechos que varían según el estado.

ALTO – ANTES DE DEVOLVER ESTE PRODUCTO A LA TIENDA

Ahore gasolina y evítese el viaje de vuelta a la tienda. Póngase en contacto con nuestros representantes de Servicio al Cliente/Soporte Técnico con objeto de obtener información y ayuda para la solución de problemas. Llame al 1-800-7AIRGUN (1-800-724-7486) o encuentre respuestas a preguntas frecuentes en www.crosman.com.

RECLAMACIONES DE GARANTÍA Y SERVICIO DE REPARACIONES

Si su rifle de aire necesita una reparación, ¡NO INTENTE DESMONTARLO! Su rifle de aire requiere herramientas y accesorios especiales para repararlo. Cualquier desensamblado o modificación no realizados por una estación de servicio autorizada anulará la garantía.

Cientes de los EE.UU.: Contactar con Servicio al Cliente de Crosman al 800-724-7486 o enviar un correo electrónico mediante www.crosman.com. Se le indicará dónde y cómo enviar su rifle de aire para reparación bajo la garantía o se le remitirá a uno de nuestros centros de servicio autorizados en su zona.

Crosman Corporation
Atn: Depto. de Garantía
7629 Route 5 & 20
Bloomfield, NY 14469

Incluya con su producto una copia de su recibo y una breve descripción del problema. Cuide de indicar su nombre, dirección postal, dirección de correo electrónico y número de teléfono. Conceda de 2 a 4 semanas para reparaciones. Le recomendamos que utilice un método de transporte que le ofrezca un número de seguimiento y opciones de seguro. Crosman no es responsable de ninguna mercancía dañada, pérdida o robada durante el transporte.

Cientes canadienses: Contactar con la Gravel Agency en Quebec al 866-662-4869.

Cientes de fuera de los Estados Unidos: Ponerse en contacto con el concesionario o distribuidor de donde se hizo la compra. Si no conoce a su concesionario o distribuidor, póngase en contacto con nuestro Departamento Internacional para obtener ayuda al 585-657-6161 o envíenos un correo electrónico mediante crosman.com. Crosman y Benjamin son marcas comerciales de Crosman Corporation.

NOSLER es una marca registrada de Nosler Inc. usada por Crosman bajo licencia
© 2015 Crosman Corporation
05-15_OM

