



EXPLODED VIEW & PARTS LIST

MODEL CPNP22SX Phantom NP



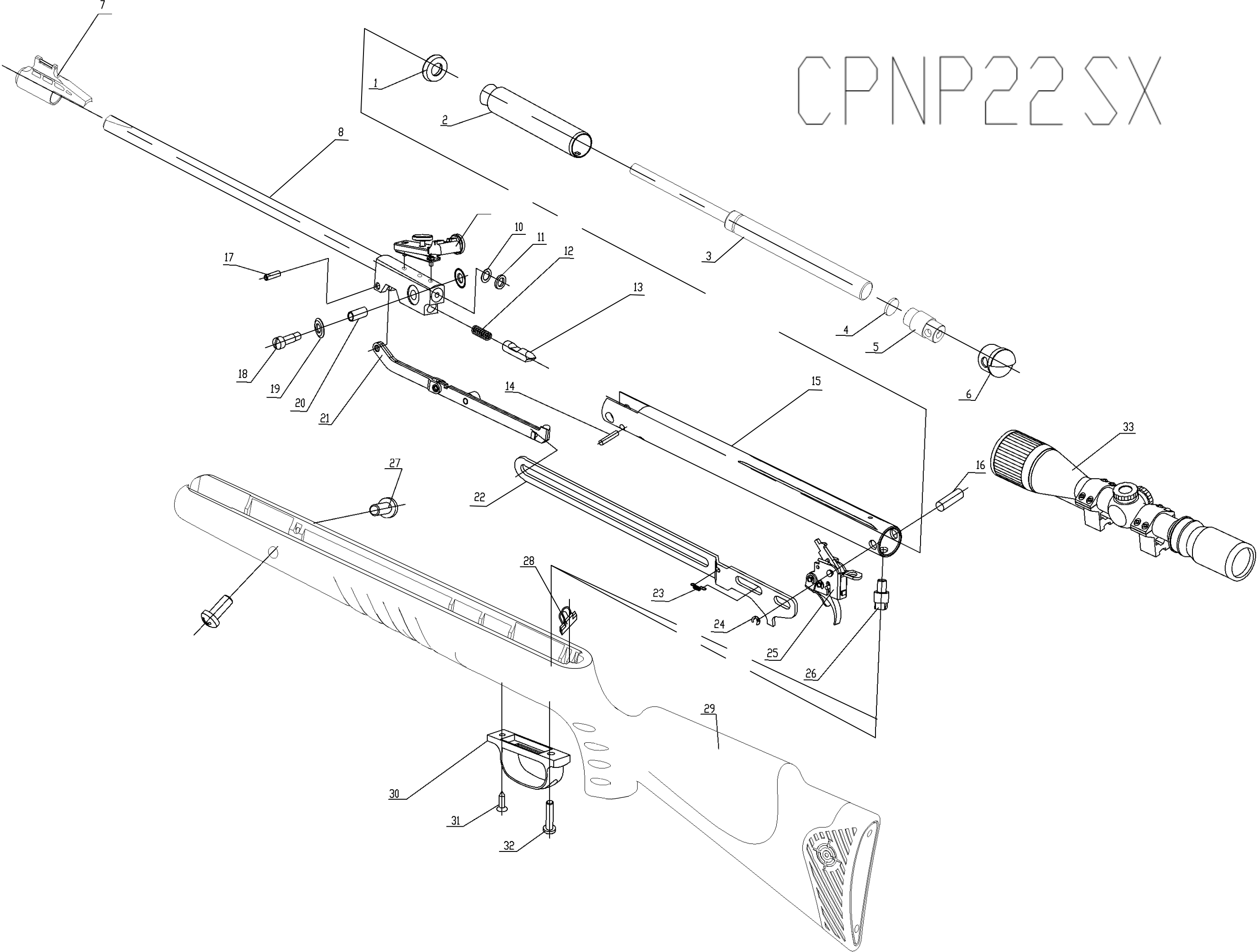
Manufacture Start Dates: 12/26/14

Last Update 12/26/14

CROSMAN
CORPORATION 7629
ROUTES 5 & 20
BLOOMFIELD, NY 14469
Phone: 1-800-724-7486
Parts Order Fax: 585-657-
5405 www.crosman.com

- This EVP and parts list is intended to be an informational guide in ordering parts. It is not instructional material and we therefore assume no responsibility for those who use the same without proper factory training.
- Please order by part number and description.
- Check or money order for the total price must accompany the order.
- For current prices contact Crosman Corporation at 1-800-724-7486 or visit our website www.crosman.com

CPNP22SX



Item	BAM Part Number	Description	CPNP22SX	Revisional Date
1	B18-04-1A	Piston Seal	1	
2	BT9M22-03-100B	Piston	1	05/07/10
3	BT9M22-00-5A	gas spring	1	
4	BT9M22-00-7	Plain plate	1	
5	BT9M22-00-2	Rear Base	1	
6	BT9M22-00-3	Tube Cover	1	
7	B19-2-01-1B	Front Sight	1	
8	B19-2-01-100C(5.5)	Barrel Assembly	1	
9	B19-2-02-00	Rear Sight	1	
10	B22-00-1A	Adjust washer	0-2	
11	B12-00-14	Breach Seal	1	04/24/10
12	B15-01-2A	Alive Jam Spring	1	
13	BT9M22-01-5	Alive Jam	1	
14	BT9M22-00-4	Dead Jam	1	
15	C8M22NP-02-00A	Compression Tube Assembly	1	
16	B18-00-7	Fixed Pin	1	
17	B12-00-1B	Lever Pin	1	
18	B19-2-00-2A	Break Bolt	1	09/03/13
19	B18-00-15A	Washer	2	
20	B18-01-1C	Bushing	1	
21	B18-07-00	Lever Assembly	1	
22	B18-00-5B	Bear Trap Lever	1	
23	B19-19-00-5	Safety Spring	1	
24	GB896-86 3	E-Ring	1	
25	B18-05-00	Trigger Pack Assembly	1	
26	B18-00-9	Stock link pin	1	
27	GB/T 818-2000 M5x12	Pan Head Screws - nylok	2	
28	B19-2-00-1	Stock Lug Brace	1	
29	CD1K77-2-01-00	Stock assembly	1	
30	B18-00-11A	Trigger Guard	1	
31	GB847-85 ST3.5x16	Screw, Trigger Guard Front	1	
32	GB823-88 M6X20	Screw, Trigger Guard Rear - nylok	1	
33	4*32 CENTERPOINT 2	Scope	1	

• Parts in BOLD are available for order. Other parts in the list may also be available.