

BENJAMIN

EXPLODED VIEW & PARTS LIST

MODEL 32001/ 32003/ 33005/ 7-32003 JSS LEGACY / GENESIS



Manufacture Start Dates: 32001: 7/27/13

32003: 4/26/13

33005: 6/28/13

7-320031: 4/25/13

Last Update 4/26/13

CROSMAN CORPORATION

7629 ROUTES 5 & 20

BLOOMFIELD, NY 14469

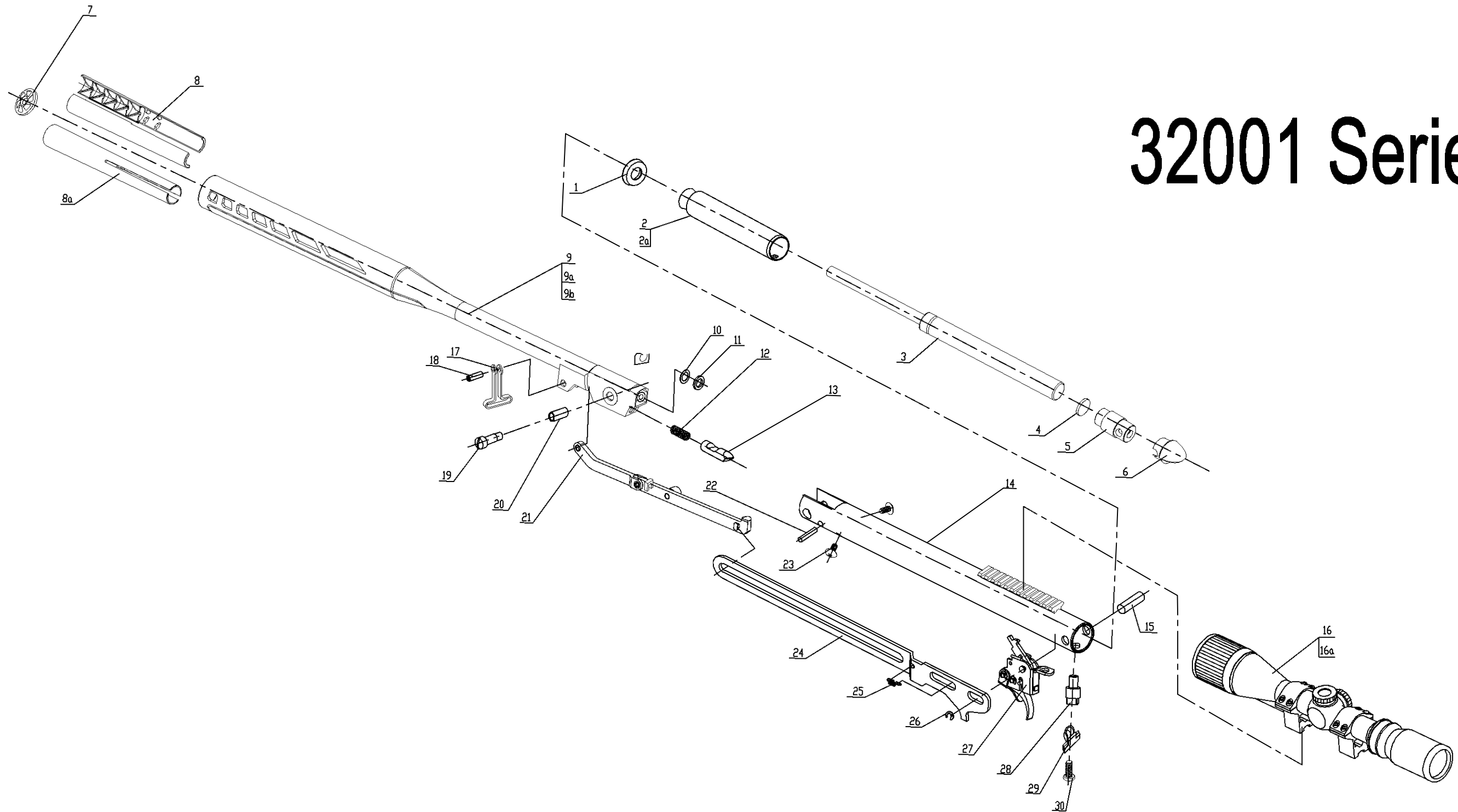
Phone: 1-800-724-7486

Parts Order Fax: 585-657-5405

www.crosman.com

- This EVP and parts list is intended to be an informational guide in ordering parts. It is not instructional material and we therefore assume no responsibility for those who use the same without proper factory training.
- Please order by part number and description.
- Check or money order for the total price must accompany the order.
- For current prices contact Crosman Corporation at 1-800-724-7486 or visit our website www.crosman.com

32001 Series



Item	BAM Part Number	Description	32001	32003	7-32003	33005	Revisional Date
1	B18-04-1A	Piston Seal	1	1	1	1	
2	BT9M22-03-100B	Piston	1	1		1	
2a	5-BT9M22-01-100	Piston			1		
3	BT9M22-00-5	gas spring	1	1	1	1	
4	BT9M22-00-7	Plain plate	1	1	1	1	
5	BT9M22-00-2	Back Spring Guide	1	1	1	1	
6	32010-00-1	Tube Cover	1	1	1	1	
7	32010-021A	Cover Of Silencer	1	1	1	1	
8	32010-020	Silencer	2	2		2	
8a	7-32003-001	Silencer			1		
9	32010-001-00	Barrel Assembly	1				
9a	32010-001-00 (5.5)	Barrel Assembly (5.5)		1	1		
9b	33005-001-00	Barrel Assembly (5.5)				1	
10	B22-00-1	Adjust washer	0-2	0-2	0-2	0-2	
11	B12-00-14	Breach Seal	1	1	1	1	
12	B15-01-2A	Jam Spring	1	1	1	1	
13	BT9M22-01-5C	Alive Jam	1	1	1	1	
14	32001-02-00	Compression Tube Assembly	1	1	1	1	
15	B18-00-7	Fixed Pin	1	1	1	1	
16	3-9X40AO2	Scope	1	1	1		
16a	CPB392W-999	Scope				1	
17	RW1K77X2-S-00-100	Slings mount	1	1	1		
18	B20-00-1	Link Pin	1	1	1	1	
19	B22-01-4	Break Bolt	1	1	1	1	
20	B22-01-4	Bushing	1	1	1	1	
21	BT9M22-04-00	Lever Assembly	1	1	1	1	
22	BT9M22-00-4	Detent	1	1	1	1	
23	32010-026	Pan Head Screws - nylok	2	2	2	2	
24	B18-00-5B	Bear Trap Lever	1	1	1	1	
25	B19-19-00-5	Safety Spring	1	1	1	1	
26	GB896-86 3	E-Ring	3	3	3	3	
27	B18-05-00	Trigger Pack Assembly	1	1	1	1	
28	B18-00-9	Stock link pin	1	1	1	1	
29	B19-2-00-1	Stock Lug Brace	1	1	1	1	
30	GB/T823-1988 M6×16	Screw, Trigger Guard Rear - nylok	1	1	1	1	

- *Parts in BOLD are available for order. Other parts in the list may also be available.*