



## EXPLODED VIEW & PARTS LIST

# MODEL 30020 Vantage

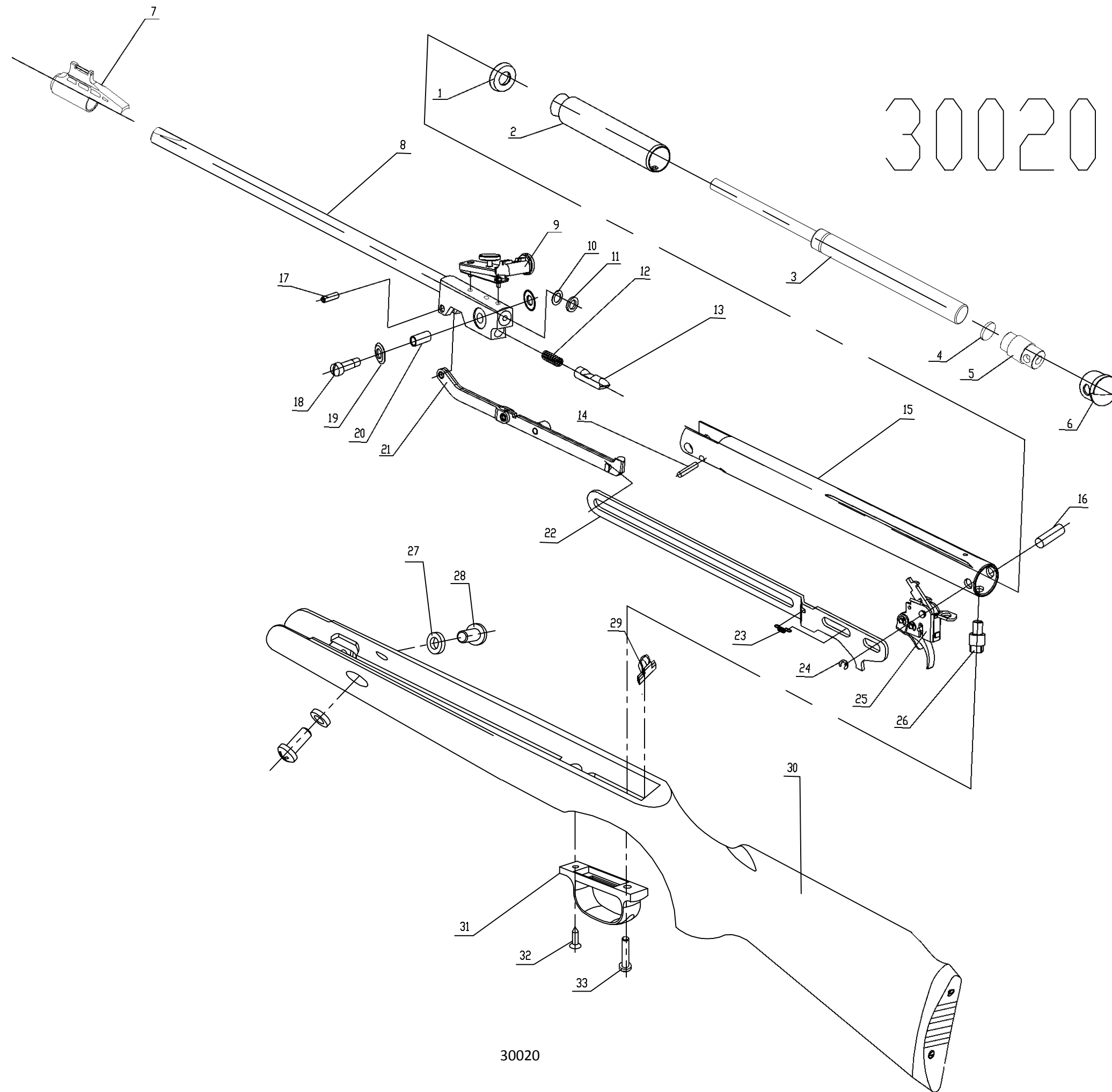


Manufacture Start Dates: 11/02/12

Last Update 05/07/10

CROSMAN CORPORATION  
7629 ROUTES 5 & 20  
BLOOMFIELD, NY 14469  
Phone: 1-800-724-7486  
Parts Order Fax: 585-657-5405  
[www.crosman.com](http://www.crosman.com)

- This EVP and parts list is intended to be an informational guide in ordering parts. It is not instructional material and we therefore assume no responsibility for those who use the same without proper factory training.
- Please order by part number and description.
- Check or money order for the total price must accompany the order.
- For current prices contact Crosman Corporation at 1-800-724-7486 or visit our website [www.crosman.com](http://www.crosman.com)



Item	BAM Part Number	Description	30020	Revisional Date
1	<b>B18-04-1A</b>	<b>Piston Seal</b>	1	
2	<b>BT9M22-03-100B</b>	<b>Piston</b>	1	<b>05/07/10</b>
3	<b>BT9M22-00-5A</b>	<b>gas spring</b>	1	
4	BT9M22-00-7	Plain plate	1	
5	BT9M22-00-2	Rear Base	1	
6	<b>BT9M22-00-3</b>	<b>Tube Cover</b>	1	
7	<b>B19-2-01-1B</b>	<b>Front Sight</b>	1	
8	<b>B19-2-01-100C</b>	<b>Barrel Assembly</b>	1	
9	<b>B19-2-02-00</b>	<b>Rear Sight</b>	1	
10	<b>B22-00-1</b>	<b>Adjust washer</b>	<b>0-2</b>	
11	<b>B12-00-14</b>	<b>Breach Seal</b>	1	<b>04/24/10</b>
12	B15-01-2A	Alive Jam Spring	1	
13	<b>BT9M22-01-5</b>	<b>Alive Jam</b>	1	
14	BT9M22-00-4	Dead Jam	1	
15	C8M22NP-02-00A	Compression Tube Assembly	1	
16	B18-00-7	Fixed Pin	1	
17	B12-00-1B	Lever Pin	1	
18	<b>B19-2-00-2A</b>	<b>Break Bolt</b>	1	<b>01/13/09</b>
19	B18-00-15A	Washer	2	
20	B18-01-1C	Bushing	1	
21	<b>B18-07-00</b>	<b>Lever Assembly</b>	1	
22	<b>B18-00-5B</b>	<b>Bear Trap Lever</b>	1	
23	B19-19-00-5	Safety Spring	1	
24	<b>GB896-86 3</b>	<b>E-Ring</b>	1	
25	<b>B18-05-00</b>	<b>Trigger Pack Assembly</b>	1	
26	B18-00-9	Stock link pin	1	
27	GB/T97.1-2002 5	Plain Washers	2	
28	<b>GB/T 818-2000 M5×14</b>	<b>Pan Head Screws - nylok</b>	<b>2</b>	
29	B19-2-00-1	Stock Lug Brace	1	
30	<b>B19-2X-c-01-00</b>	<b>Stock assembly</b>	1	
31	B18-00-11A	Trigger guard	1	
32	GB847-85 ST3.5X16	Screw, Trigger Guard Front	1	
33	GB823-88 M6X20	Screw, Trigger Guard Rear - nylok	1	

- *Parts in BOLD are available for order. Other parts in the list may also be available.*