



EXPLODED VIEW & PARTS LIST

MODEL 30001 TR77



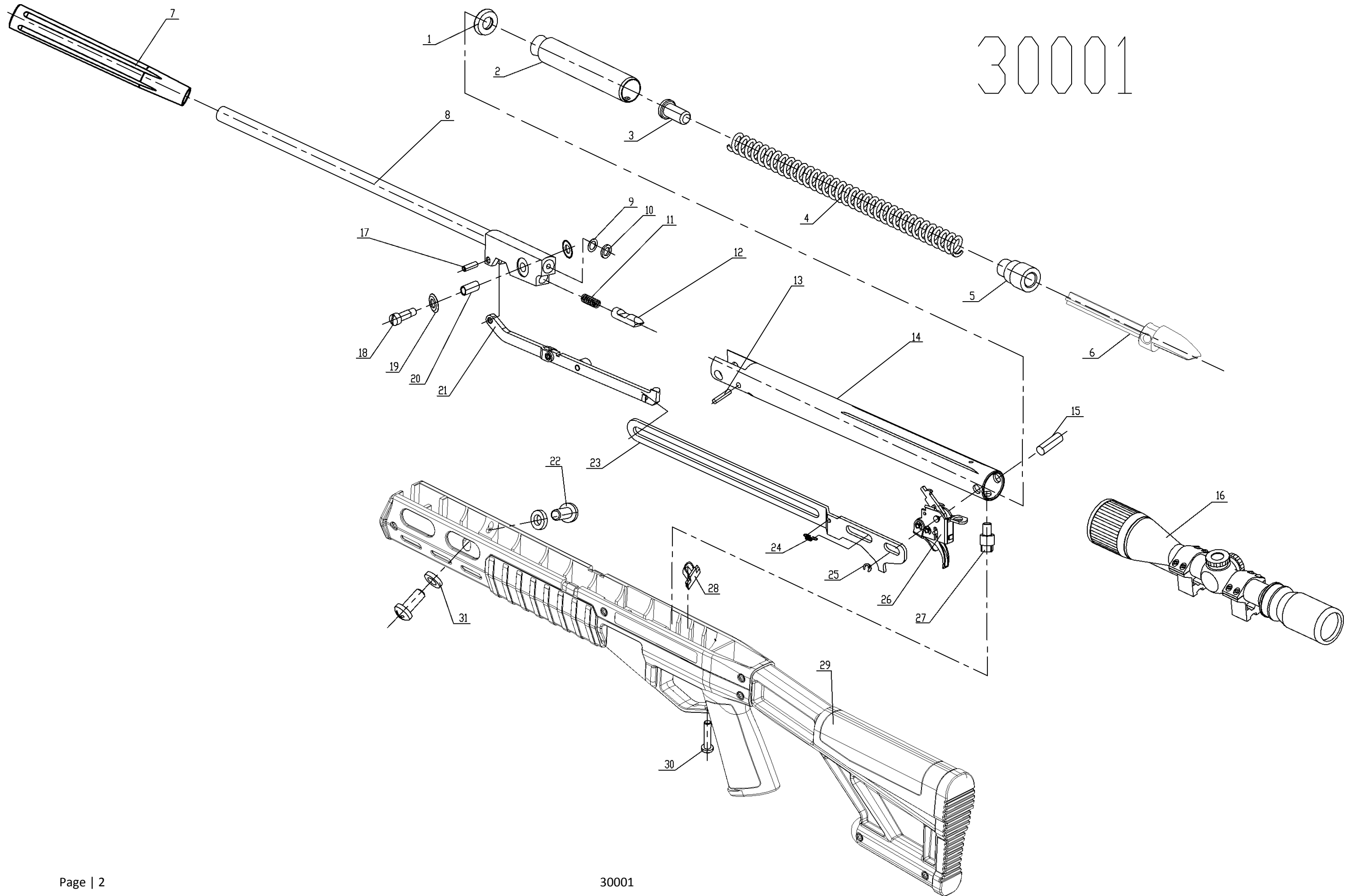
Manufacture Start Dates: 9/28/12'

Last Update 10/09/13

CROSMAN CORPORATION
7629 ROUTES 5 & 20
BLOOMFIELD, NY 14469
Phone: 1-800-724-7486
Parts Order Fax: 585-657-5405
www.crosman.com

- This EVP and parts list is intended to be an informational guide in ordering parts. It is not instructional material and we therefore assume no responsibility for those who use the same without proper factory training.
- Please order by part number and description.
- Check or money order for the total price must accompany the order.
- For current prices contact Crosman Corporation at 1-800-724-7486 or visit our website www.crosman.com

30001



Item	BAM Part Number	Description	30001	Revised Date
1	B18-04-1B	Piston Seal	1	10/09/13
2	B18-04-100E	Piston	1	
3	B18-00-3	Front Spring Guide	1	
4	B18-00-4D	Piston Spring	1	
5	B18-00-6	Back Spring Guide	1	
6	TR77-00-1	Comp Tube Plug-Spring	1	
7	CD1K77NP-01-1	Muzzle Device	1	
8	B19-7-01-100B	Barrel Assembly	1	10/09/13
9	B22-00-1	Adjust Washer	0-2	
10	B12-00-14	Breach Seal	1	
11	B15-01-2A	Alive Jam Spring	1	
12	BT9M22-01-5C	Alive Jam	1	10/09/13
13	BT9M22-00-4	Dead Jam	1	
14	B19-2-03-00A	Compression Tube Assembly	1	
15	B18-00-7	Fixed Pin	1	
16	4*32 CenterPoint 2	Scope	1	
17	B12-00-1B	Lever Pin	1	
18	B19-2-00-2A	Break Bolt	1	10/09/13
19	B18-00-15B	Washer	2	
20	B18-01-1C	Bushing	1	
21	B18-07-00	Lever Assembly	1	
22	GB/T 818-2000 M5x12	Pan Head Screws - nylok	2	
23	B18-00-5B	Bear Trap Lever	1	
24	B19-19-00-5	Safety Spring	1	
25	GB896-86 3	E-Ring	1	
26	B18-05-00	Trigger Pack Assembly	1	
27	B18-00-9	Stock link bolt	1	
28	B19-2-00-1	Stock Lug Brace	1	
29	TR77-01-00	Stock assembly	1	
30	GB823-88 M6X20	Screw, Trigger Guard Rear - nylock	1	
31	GB/T97.1-2002 5	Plain Washers	2	

- *Parts in BOLD are available for order. Other parts in the list may also be available.*