



EXPLODED VIEW & PARTS LIST

MAR177 MODULAR ADAPTIVE RIFLE UPPER



Manufacture Start Date: 12/22/11

Last Update 10/29/14

CROSMAN CORPORATION
7629 ROUTES 5 & 20
BLOOMFIELD, NY 14469
Phone: 1-800-724-7486
Parts Order Fax: 585-657-5405
www.crosman.com

- This EVP and parts list is intended to be an informational guide in ordering parts. It is not instructional material and we therefore assume no responsibility for those who use the same without proper factory training.
- Please order by part number and description.
- Check or money order for the total price must accompany the order.
- For current prices contact Crosman Corporation at 1-800-724-7486 or visit our website www.crosman.com

MAR177

Manufacture Start Date: 12/22/11

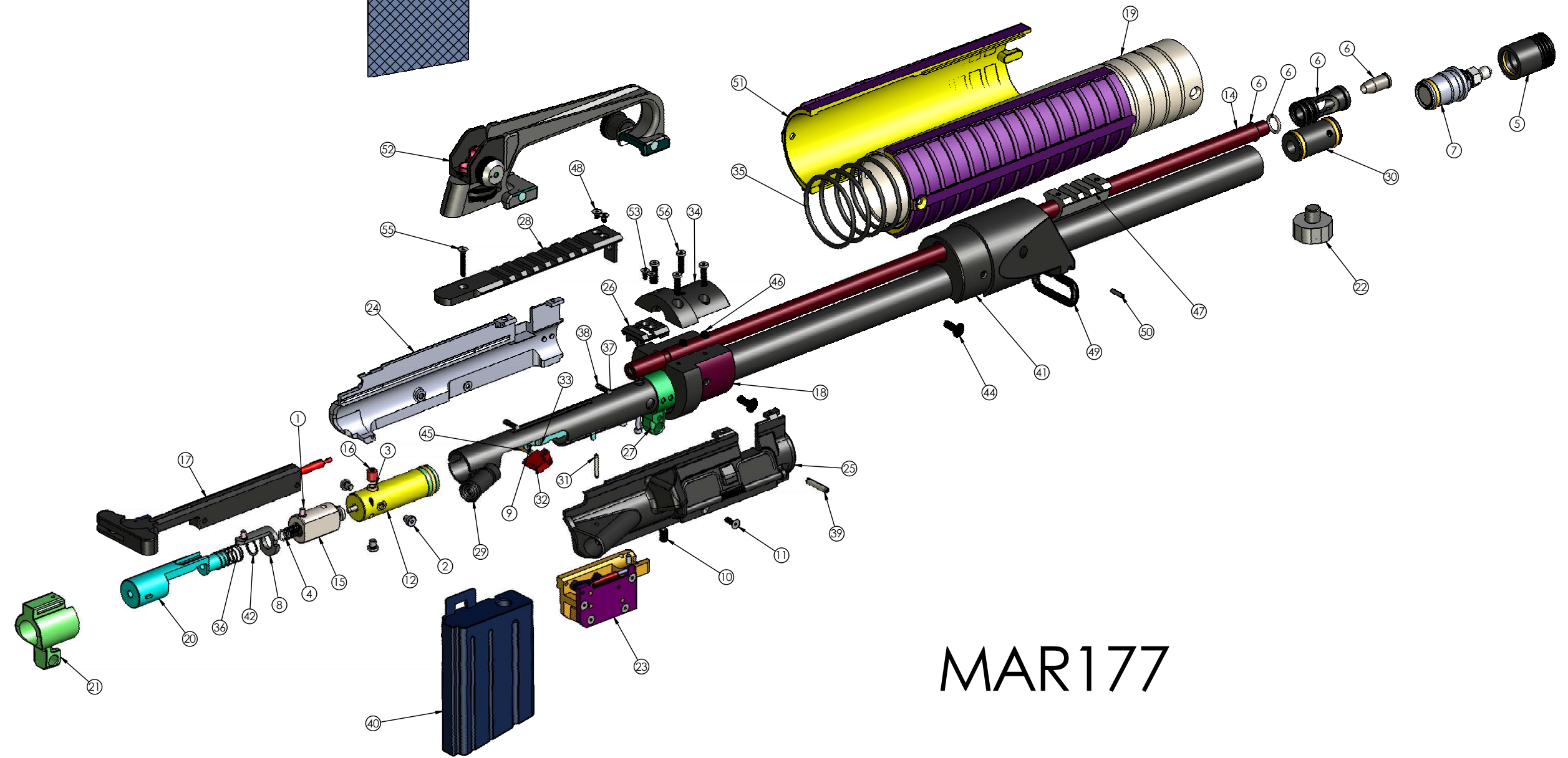
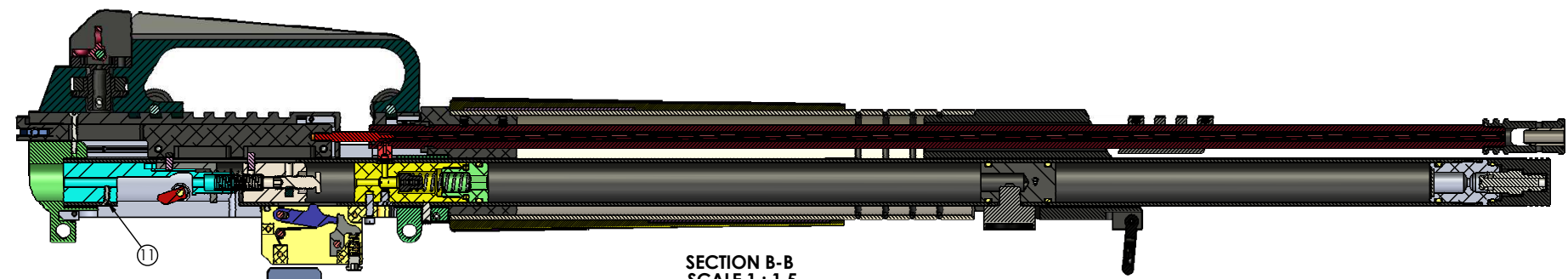
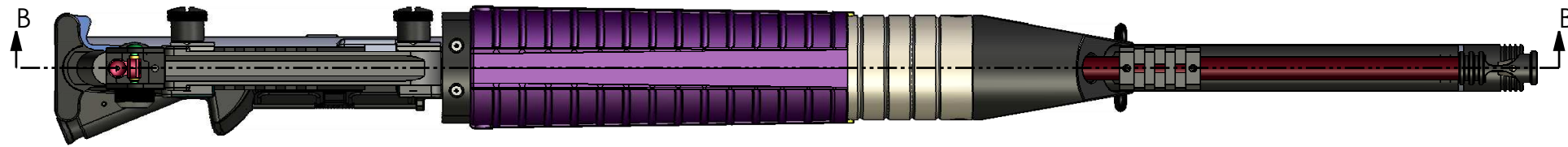
	PART NUMBER	DESCRIPTION	QTY
1	1700-015	HAMMER PIN	2
2	1700-010	8-32 X .188, SHCS, LOW HEAD	3
3	130-036	BREECH GASKET	1
4	CH2009-022	SPRING, HAMMER	1
5	1761-102	CAP ASSEMBLY	1
6	MAR-200	AIR STRIPPER	1
7	1700-101	ASSEMBLY, FILL ADAPTER	1
8	MAR-108	GUIDE	1
9	MAR-111	PIN, SPRING	1
10	MAR-115	SET SCREW, DOG POINT	1
11	1763-056	SCREW, 4-40 x .375, FHCS	3
12	MAR-100	VALVE ASSEMBLY	1
13	MAR-004	TUBE	1
14	MAR-006	BARREL, 21 CROS 177 CAL.	1
15	MAR-110	STROKE ADJUSTMENT	1
16	MARA016	SLEEVE, TRANSFER PORT, .04	1
17	MAR-010	CHARGING HANDLE	1
18	MAR-025	DELTA BASE	1
19	MAR-027	FLOAT TUBE	1
20	MARA046	PLUG	1
21	MAR-053	CAP	1
22	1763-033	GAUGE, 3000 PSI	1
23	MAR-040	SEAR ASSEMBLY	1
24	MAR-036	UPPER, LEFT SIDE	1
25	MAR-037	UPPER, RIGHT SIDE	1
26	MAR-031	WEAVER, FRONT	1
27	MAR-039	KNUCKLE	1
28	MAR-032	WEAVER, REAR	1
29	MAR-014	FORWARD ASSIST	1
30	MAR-030	GAUGE PORT ASSY	1
31	MAR-127	PIN, SPRING	1
32	MAR-105	PIVOT	1
33	MAR-106	ARM	1
34	MAR-112	COVER	1
35	MAR-129	O-RING	1
36	MAR-068	SPRING, COMPRESSION	1
37	CH2009-082	.125 DIA SS BALL	4
38	MAR-067	SPRING, GUIDE ROLLER	2
39	MAR-029	PIN, SPRING	1
40	MAR-061	DETACHABLE MAGAZINE	1
41	MARA135	NOSE CONE	1

	PART NUMBER	DESCRIPTION	QTY
42	MAR-103	RING, RETAINING	1
43	1763-058	O-RING, 1.5mm x 4mm, BUNA N	1
44	MAR-137	FLAT SOCKET HEAD CAP SCR	4
45	1200C-010	PIN .125 x 1.0	1
46	88-089	SET SCREW 8-32 x 125 CUP HE	4
47	MAR-023	SIGHT BASE, FRONT	1
48	MAR-033	4-40 FLAT HEAD SCREW	2
49	MAR-062	SLING MOUNT	1
50	E357-144	PIN, COILED SPRING, 3/32 x 7/1	1
51	MAR-202	COZY	1
52	MAR-120	REAR SIGHT, CARRY HANDLE	1
53	E357-147	3-48x.2500-FHSCS	2
54	MAR-055	SCREW, 4-40x1.125 SHCS	2
55	MAR-008	FHCS 4-40 X 3/4LG	1
56	MAR-114	SCREW, 6-32 x .50, LHCS	4

ASSEMBLY NUMBERS

PAGE	PART NUMBER	DESCRIPTION	QTY
4	MAR-010	Charging Handle	1
4	MAR-030	Gauge Port Assembly	1
4	MAR-110	Striker Assembly	1
5	MAR-100	Valve Assembly	1
5	MAR-040	Sear Assembly	1

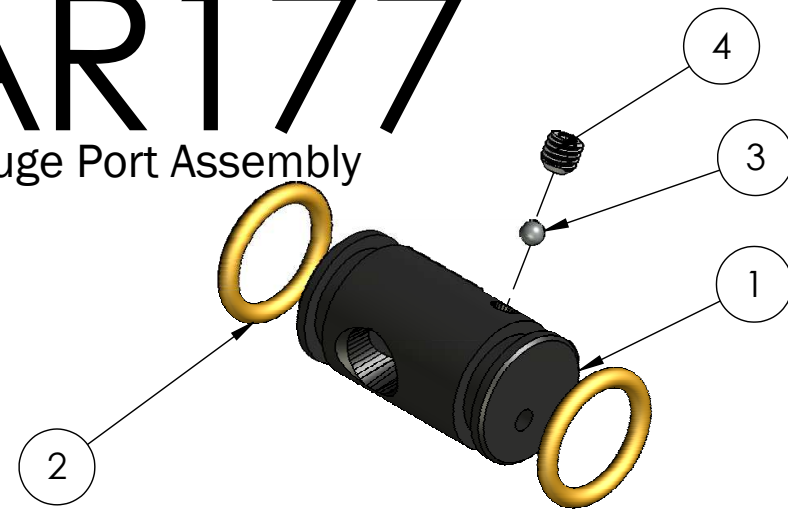
Last Update 12/11/12



MAR177

MAR177

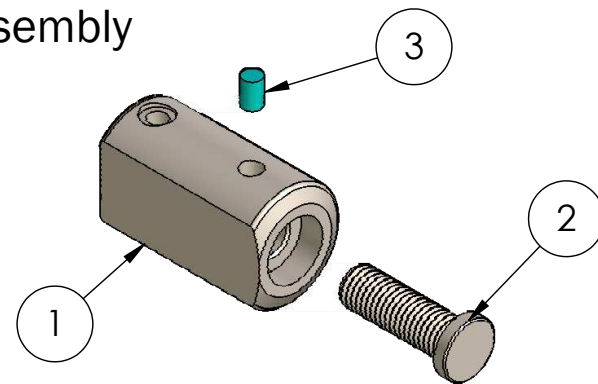
MAR-030 Gauge Port Assembly



ITEM NO.	PART NUMBER	DESCRIPTION	QTY.
1	MAR-063	PORT, GAUGE	1
2	1700A005	O-RING, -113, EPDM, 80 SHORE A	2
3	CH2009-082	.125 DIA SS BALL	1
4	MAR-065	SET SCREW, CUP POINT	1

MAR177

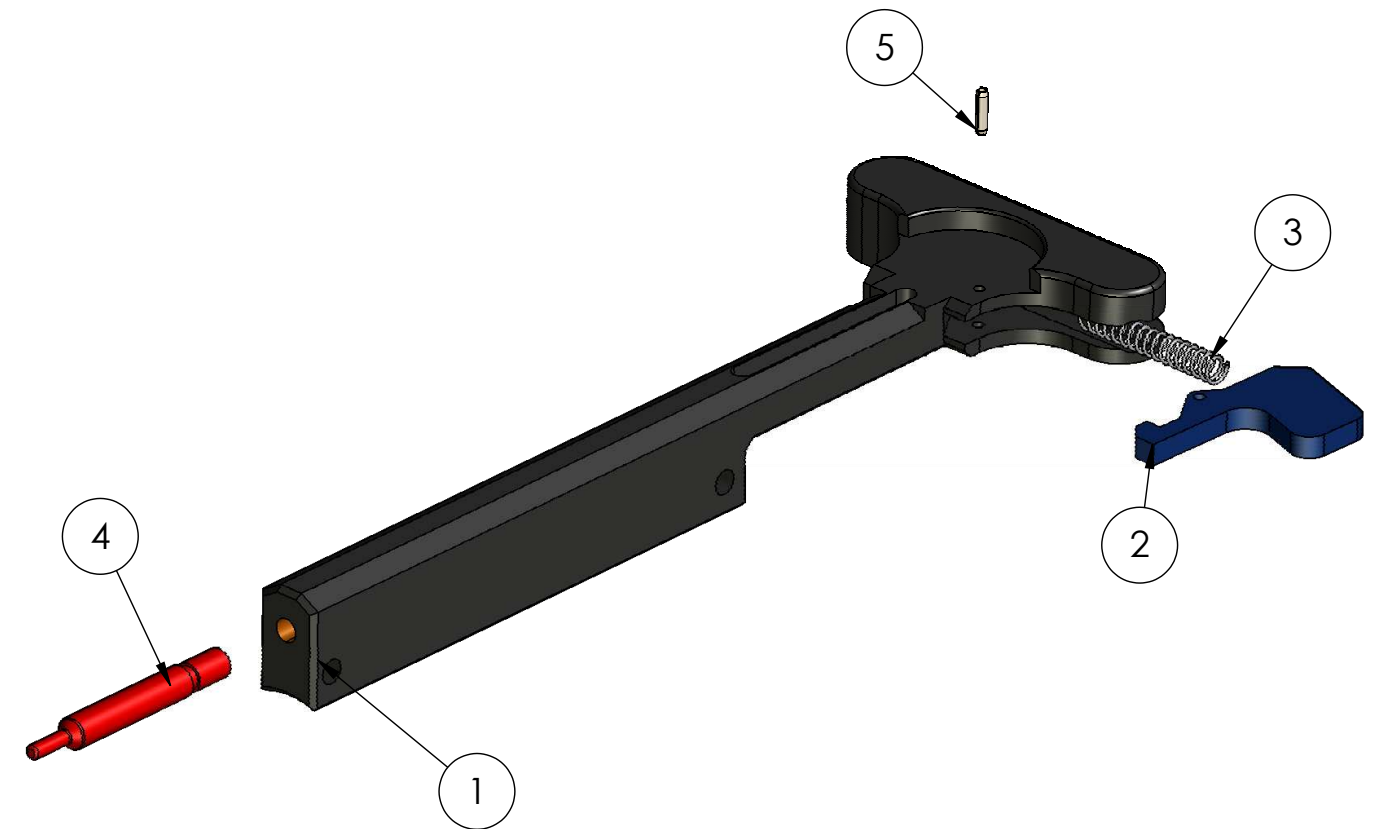
MAR-110 Striker Assembly



ITEM NO.	PART NUMBER	DESCRIPTION	QTY.
1	MAR-009	HAMMER	1
2	1763A036	STRIKER	1
3	CH2009-023	PIN, ACETAL	1

MAR177

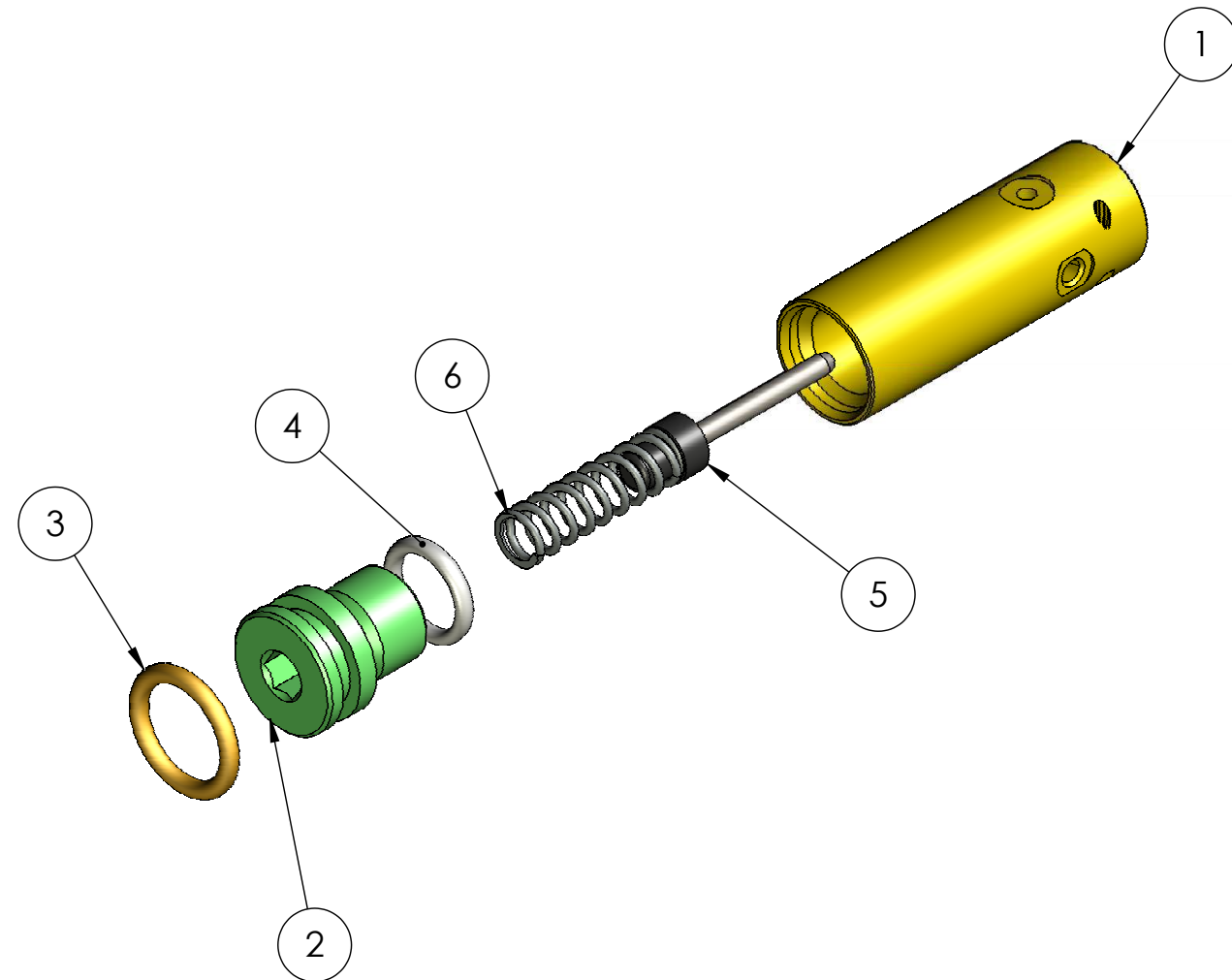
MAR-010 Charging Handle



ITEM NO.	PART NUMBER	DESCRIPTION	QTY.
1	MAR-011	HANDLE, BOLT	1
2	MAR-021	LATCH	1
3	MAR-131	SPRING, LATCH	1
4	MAR-007	BOLT, 177CAL LONG NICKEL	1
5	MAR-111	PIN, SPRING	1

MAR177

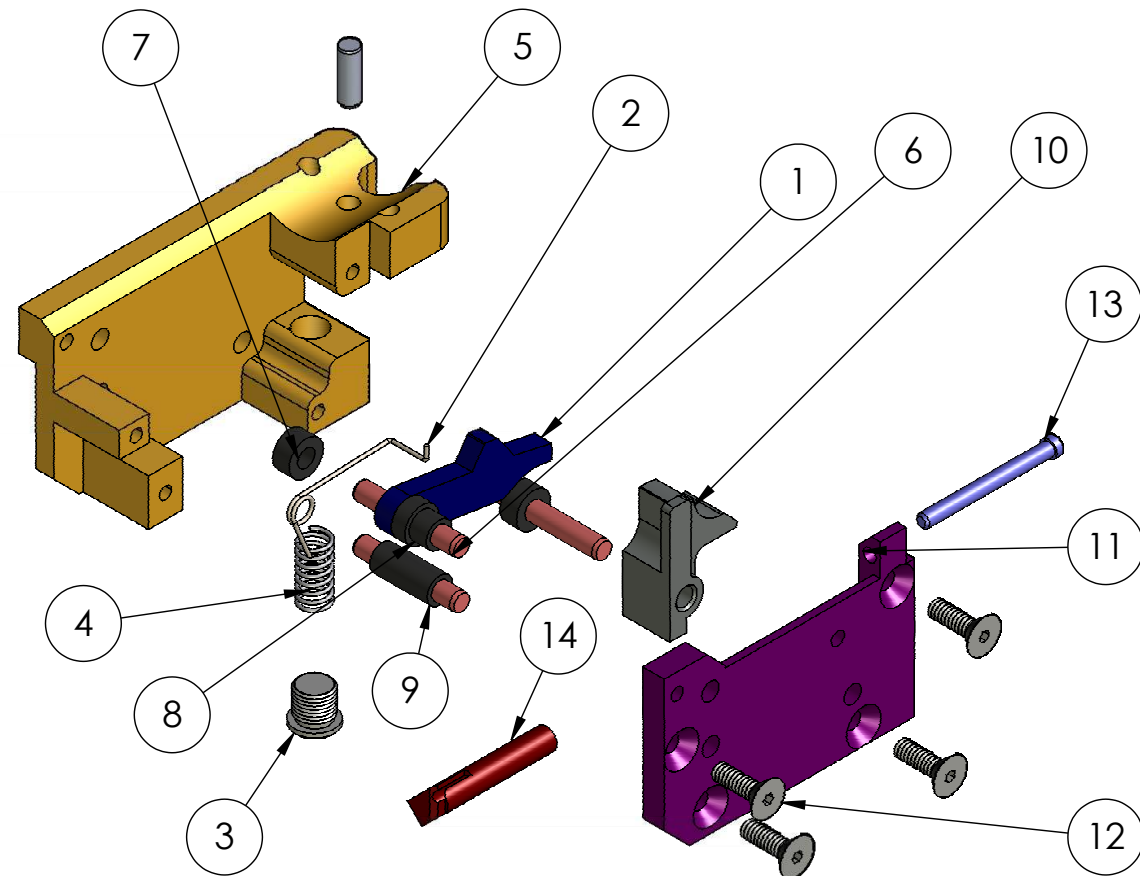
MAR-100 Valve Assembly



ITEM NO.	PART NUMBER	DESCRIPTION	QTY.
1	MAR-002	VALVE BODY	1
2	MAR-012	VALVE CAP	1
3	1700A005	O-RING	1
4	130-035	O-RING, 2-111	1
5	1700-140	VALVE STEM	1
6	1763-034	SPRING, VALVE	1

MAR177

MAR-040 Sear Assembly



ITEM NO.	PART NUMBER	DESCRIPTION	QTY.
1	MAR-045	SEAR	1
2	MARA035	SPRING, SEAR	1
3	1763A053	SCREW, 1/4-28 x .215, SOCKET HEAD	1
4	MAR-022	SPRING, TRIGGER LINK	1
5	MAR-013	HOUSING, SEAR	1
6	MAR-005	PIN	3
7	1763-048	SPACER, .188x.126x.123	2
8	MARA017	SPACER, .188x.126x.219	1
9	MARA018	SPACER, .188x.126x.375	1
10	MAR-116	LINK, TRIGGER	1
11	MAR-119	COVER	1
12	1763-056	SCREW, 4-40 x .375, FHCS	4
13	MAR-121	PIN	1
14	MARA118	BAR, SLIDE	1
15	2220-025	PIN, DOWEL, .125 X .375	1