



EXPLODED VIEW & PARTS LIST

MODEL CV1K77XNP NITRO VENOM



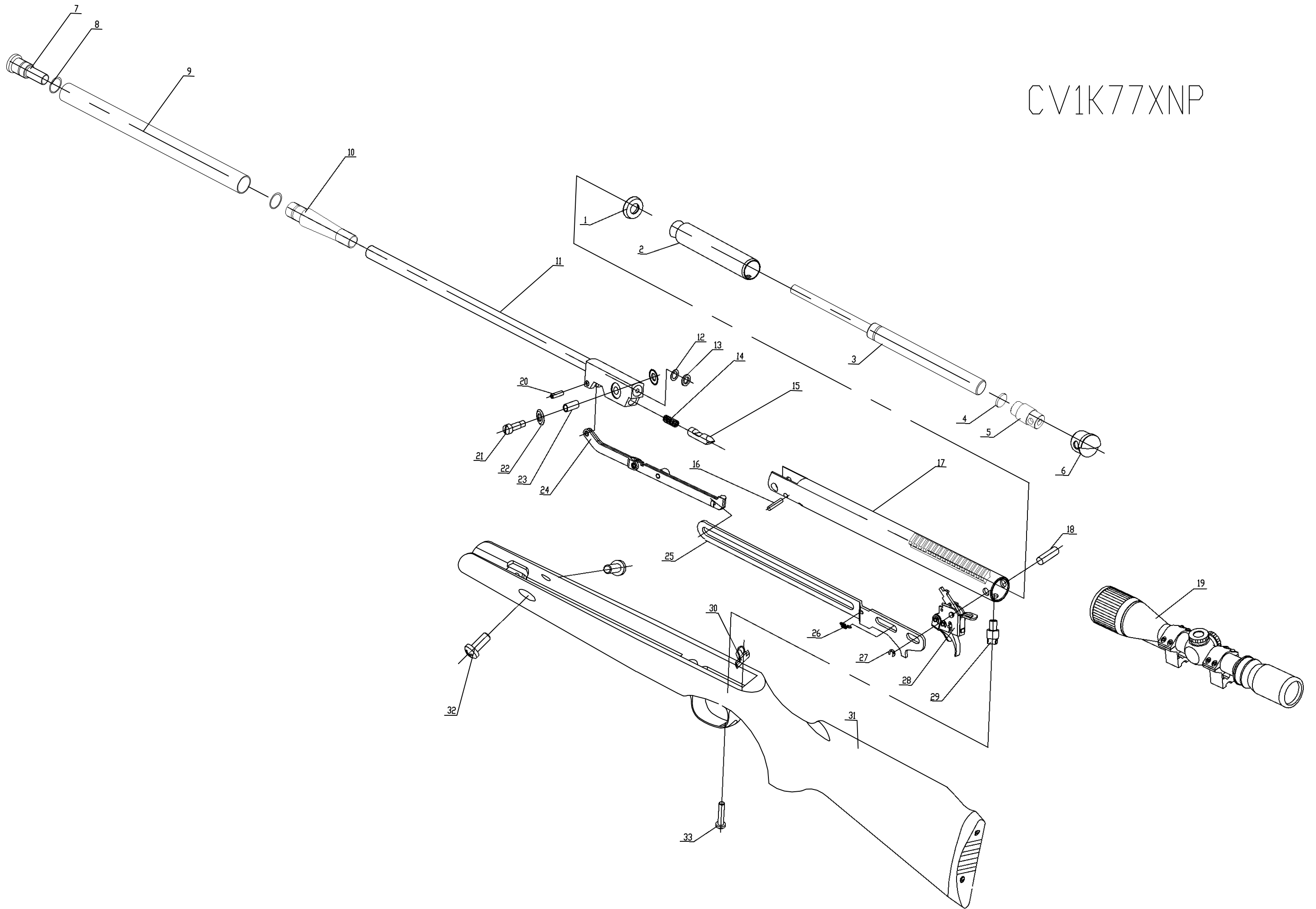
Manufacture Start Dates: 7/23/10

Last Update 05/07/10

CROSMAN CORPORATION
7629 ROUTES 5 & 20
BLOOMFIELD, NY 14469
Phone: 1-800-724-7486
Parts Order Fax: 585-657-5405
www.crosman.com

- This EVP and parts list is intended to be an informational guide in ordering parts. It is not instructional material and we therefore assume no responsibility for those who use the same without proper factory training.
- Please order by part number and description.
- Check or money order for the total price must accompany the order.
- For current prices contact Crosman Corporation at 1-800-724-7486 or visit our website www.crosman.com

CV1K77XNP



Item	BAM Part Number	Description	CV1K77XNP	Revisional
1	B18-04-1A	Piston Seal	1	
2	BT9M22-03-100B	Piston	1	05-07-10
3	BT9M22-00-5	gas spring	1	
4	BT9M22-00-7	Plain plate	1	
5	BT9M22-00-2	Back Spring Guide	1	
6	BT9M22-00-3	Tube Cover	1	
7	BT1500-01-1	Sleeve cover	1	
8	GB/T 3452.1-2005	O rings 15.5x1.8-G-S	2	
9	BT9M22-01-1	Sleeve	1	
10	BT9M22-01-2	Sleeve link	1	
11	CV1K77XNP-01-100	Barrel Assembly	1	
12	B22-00-1	Adjust washer	0-2	
13	B12-00-14	Breach Seal	1	04-24-10
14	B15-01-2A	Jam Spring	1	
15	BT9M22-01-5	Alive Jam	1	
16	BT9M22-00-4	Detent	1	
17	BT9M22-02-00	Compression Tube Assembly	1	
18	B18-00-7	Fixed Pin	1	
19	CP432W-999	Scope	1	
20	B12-00-1B	Link Pin	1	
21	B19-2-00-2	Break Bolt	1	
22	B18-00-15A	Washer	2	
23	B18-01-1C	Bushing	1	
24	B18-07-00	Lever Assembly	1	
25	B18-00-5B	Bear Trap Lever	1	
26	B18-00-12A	Safety Spring	1	
27	GB896-86 3	E-Ring	1	
28	B18-05-00	Trigger Pack Assembly	1	
29	B18-00-9	Stock link pin	1	
30	B19-2-00-1	Stock Lug Brace	1	
31	B19-8-01-00	Stock assembly	1	
32	GB/T 818-2000 M5x14	Pan Head Screws - nylok	2	
33	GB823-88 M6X20	Screw, Trigger Guard Rear -	1	