



## EXPLODED VIEW & PARTS LIST

# MODEL CTR82SX TR77 .22



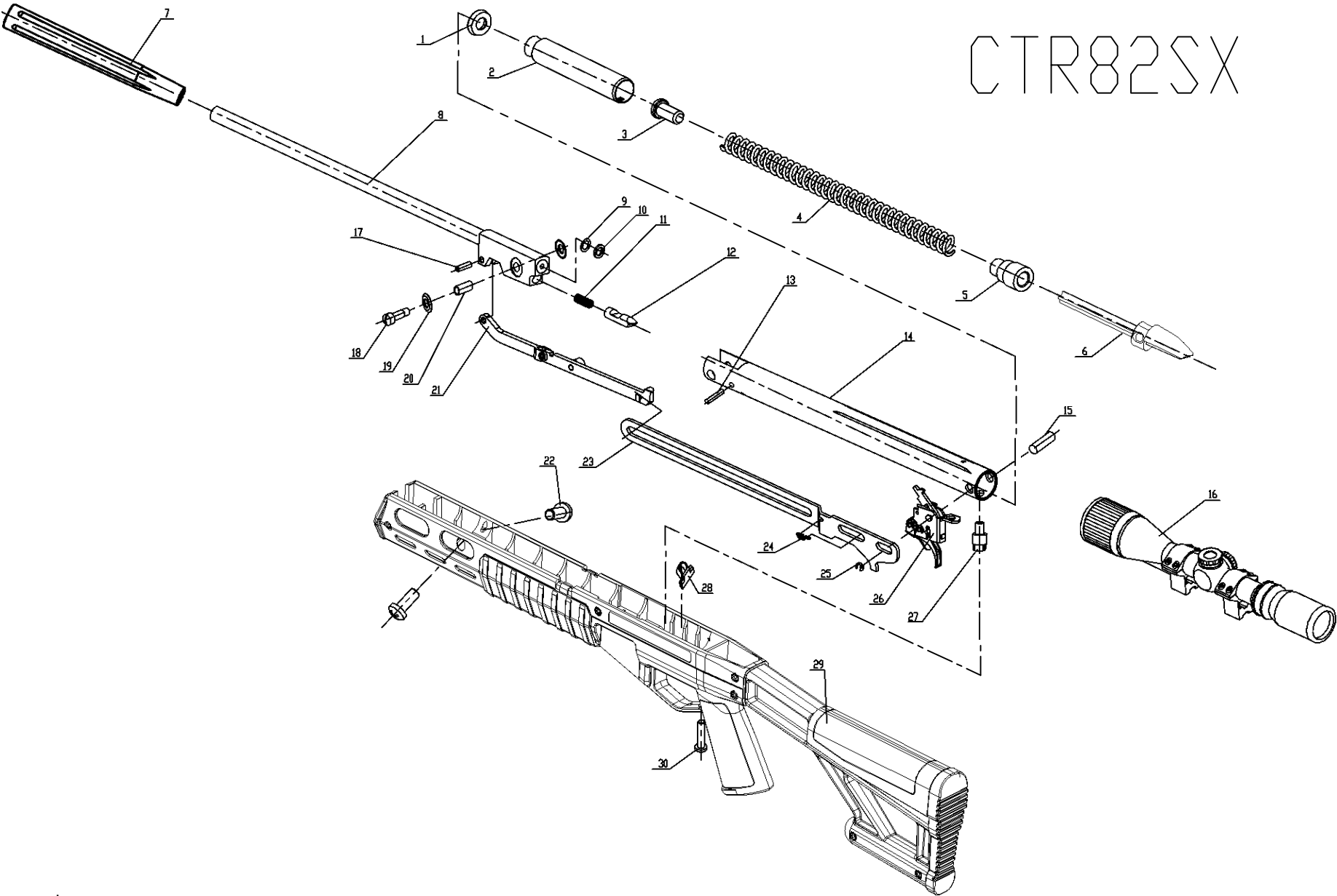
Manufacture Start Dates: 11/10/14

Last Update 11/10/14

CROSMAN CORPORATION  
7629 ROUTES 5 & 20  
BLOOMFIELD, NY 14469  
Phone: 1-800-724-7486  
Parts Order Fax: 585-657-5405  
[www.crosman.com](http://www.crosman.com)

- This EVP and parts list is intended to be an informational guide in ordering parts. It is not instructional material and we therefore assume no responsibility for those who use the same without proper factory training.
- Please order by part number and description.
- Check or money order for the total price must accompany the order.
- For current prices contact Crosman Corporation at 1-800-724-7486 or visit our website [www.crosman.com](http://www.crosman.com)

# CTR82SX



Item	BAM Part Number	Description	CTR82SX	Revised Date
1	<b>B18-04-1B</b>	<b>Piston Seal</b>	1	
2	<b>B18-04-100E</b>	<b>Piston</b>	1	
3	B18-00-3	Front Spring Guide	1	
4	B18-00-4D	Piston Spring	1	
5	<b>B18-00-6</b>	<b>Back Spring Guide</b>	1	
6	TR77-00-1	Comp Tube Plug-Spring	1	
7	CD1K77NP-01-1	Muzzle Device	1	
8	<b>B19-7-01-100B(5.5)</b>	<b>Barrel Assembly(5.5)</b>	1	
9	<b>B22-00-1</b>	<b>Adjust Washer</b>	<b>0-2</b>	
10	<b>B12-00-14</b>	<b>Breach Seal</b>	1	
11	B15-01-2A	Alive Jam Spring	1	
12	<b>BT9M22-01-5C</b>	<b>Alive Jam</b>	1	
13	<b>BT9M22-00-4</b>	<b>Dead Jam</b>	1	
14	B19-2-03-00A	Compression Tube Assembly	1	
15	B18-00-7	Fixed Pin	1	
16	4*32 CenterPoint 2	Scope	1	
17	B12-00-1B	Lever Pin	1	
18	<b>B19-2-00-2A</b>	<b>Break Bolt</b>	1	
19	B18-00-15B	Washer	2	
20	B18-01-1C	Bushing	1	
21	<b>B18-07-00</b>	<b>Lever Assembly</b>	1	
22	<b>GB/T 818-2000 M5×12</b>	<b>Pan Head Screws - nylok</b>	2	
23	<b>B18-00-5B</b>	<b>Bear Trap Lever</b>	1	
24	B19-19-00-5	Safety Spring	1	
25	<b>GB896-86 3</b>	<b>E-Ring</b>	1	
26	<b>B18-05-00</b>	<b>Trigger Pack Assembly</b>	1	
27	B18-00-9	Stock link bolt	1	
28	B19-2-00-1	Stock Lug Brace	1	
29	<b>TR77-01-00</b>	<b>Stock assembly</b>	1	
30	GB823-88 M6X20	Screw, Trigger Guard Rear - nylock	1	

- *Parts in BOLD are available for order. Other parts in the list may also be available.*