



## EXPLODED VIEW & PARTS LIST

# Model 1088 BB & Pellet Repeater .177cal. Black or Silver



Includes information for variant models 1088S and 1088M

Manufacture Dates: See Parts List

Last Update 4/23/14

CROSMAN CORPORATION  
7629 ROUTES 5 & 20  
BLOOMFIELD, NY 14469  
Phone: 1-800-724-7486  
Parts Order Fax: 585-657-5405

[www.crosman.com](http://www.crosman.com)

- This EVP and parts list is intended to be an informational guide in ordering parts. It is not instructional material and we therefore assume no responsibility for those who use the same without proper factory training.
- Please order by part number and description.
- Check or money order for the total price must accompany the order.
- For current prices contact Crosman Corporation at 1-800-724-7486 or visit our website [www.crosman.com](http://www.crosman.com)

**PARTS LIST FOR 1088 MODELS (1088BAK, 1088BG, 1088M, 1088S)**

Manufacture Dates: See below

PART NUMBER	DESCRIPTION
1	1088-002 Frame, Right (Black)
2	1088-001 Frame, Left (Black)

**3-10 Shroud Assembly Parts (#60)**

3	1088-003 Shroud, Left (Black)
4	1088-004 Shroud, Right (Black)
5	106-015 Pawl, Index
6	106-016 Spring, Index
7	10352 Latch
8	106-020 Spring, Latch
9	1088-008 Barrel (1088)
	1088M-008 Barrel, Smooth Bore 1088 (1088M Only)
10	106-014 Lever, Index

**11-22 Valve Assembly Parts (#59)**

11	106D009 Valve Body
12	1077-053 Washer, Valve
13	2200-045 Spring, Cmprsn .038muw .790
14	40A028 Valve Stem, Uncoated
15	106-005 Valve O-Ring
16	130-034 O-Ring, Seal .504.364.070
17	2-150 Assy, Puck
18	10604 Ring, Retaining
19	38-028 Filter Screen, Brass
20	T4-041 Piercing Pin
21	38-128 Seal, End .515 .170 .140
22	338-041 Guide Collar, Valve

**23-26 Piercing Bracket Assembly Parts (#58)**

23	106-012 Bracket, Piercing
24	106-060 Screw, Piercing
25	357-014 Lever, Pistol Ext Stl
26	357-013 Pin, SPCL .125 DIA .740

27	106-050 Pin, Pivot
28	106-051 Pin, Sear Pivot
29	106-021 Spring, Shroud
30	106-033 Assy, Hammer
35	106-047 Sear
36	106-049 Spring, Sear
37	106-032 Assy, Trigger
40	106A034 Link, Safety
41	106-031 Spring, Trigger
42	106A029 Safety

PART NUMBER	DESCRIPTION
43	106A045 Interlock
44	2210SB-048 Spring, Interlock
47	1088-102 Grip Assembly Right
50	1088-101 Grip Assembly Left
51	1088A007 Sight, Rear
52	2-041 Screw, Frame Long (4x)
53	1088-010 Screw, Set 4-40 x .250 LG (2x)
54	2-033 Screw, Frame Short (2x)
55	106B011 Detent
56	106A010 Detent Body
57	106A046 Spring, Detent
-	1088-105 Loader (Not shown in diagram)

**Assembly Numbers**

58	106-043 Piercing Bracket (23-26)
59	106B030 Valve (11-22)
60	1088-100 Shroud, Black (3-10)

**1088M Unique Components (Discontinued)**

9	1088M-008 Barrel (1088M Only)
---	-------------------------------

**1088S Unique Components (Discontinued)**

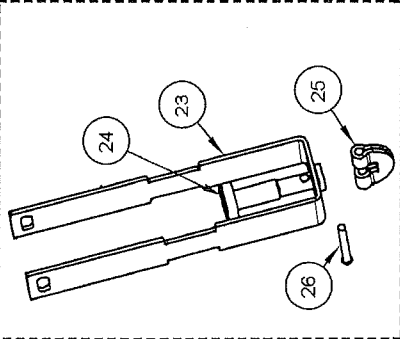
1	1088S-002 Frame, Right (Silver)
2	1088S-001 Frame, Left (Silver)
3	1088S-003 Shroud, Left (Silver)
4	1088S-004 Shroud, Right (Silver)
60	1088S-100 Shroud Assembly (Silver)

**General Assembly Manufacture dates:**

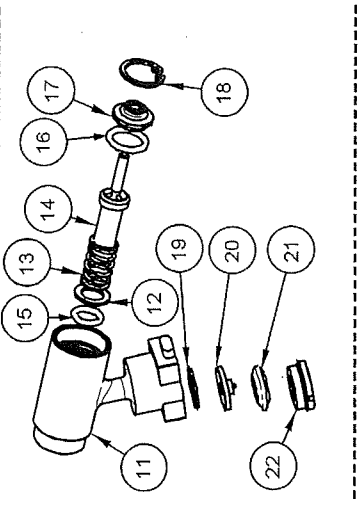
1088-999	5/24/06 - Present
1088M-999	4/30/10 - 5/14/10
1088S-999	5/17/06 - 5/14/10

**Last Update : 4/23/14**

INDIVIDUAL PARTS OF ASSEMBLY 58



INDIVIDUAL PARTS OF ASSEMBLY 59



INDIVIDUAL PARTS OF ASSEMBLY 60

