



EXPLODED VIEW & PARTS LIST

Models C11, P10, T11 BB REPEATERS CO₂ AIR PISTOLS .177 (4.5mm) cal.



Manufacture Start Date: 5/27/10

Last Update: 07/12/12

CROSMAN CORPORATION
7629 ROUTES 5 & 20
BLOOMFIELD, NY 14469
Phone: 1-800-724-7486
Parts Order Fax: 585-657-5405
www.crosman.com

- This EVP and parts list is intended to be an informational guide in ordering parts. It is not instructional material and we therefore assume no responsibility for those who use the same without proper factory training.
- Please order by part number and description.
- Check or money order for the total price must accompany the order.
- For current prices contact Crosman Corporation at 1-800-724-7486 or visit our website www.crosman.com

C11, P10, T11 PART LIST

Manufacture Start Date: 5/27/10

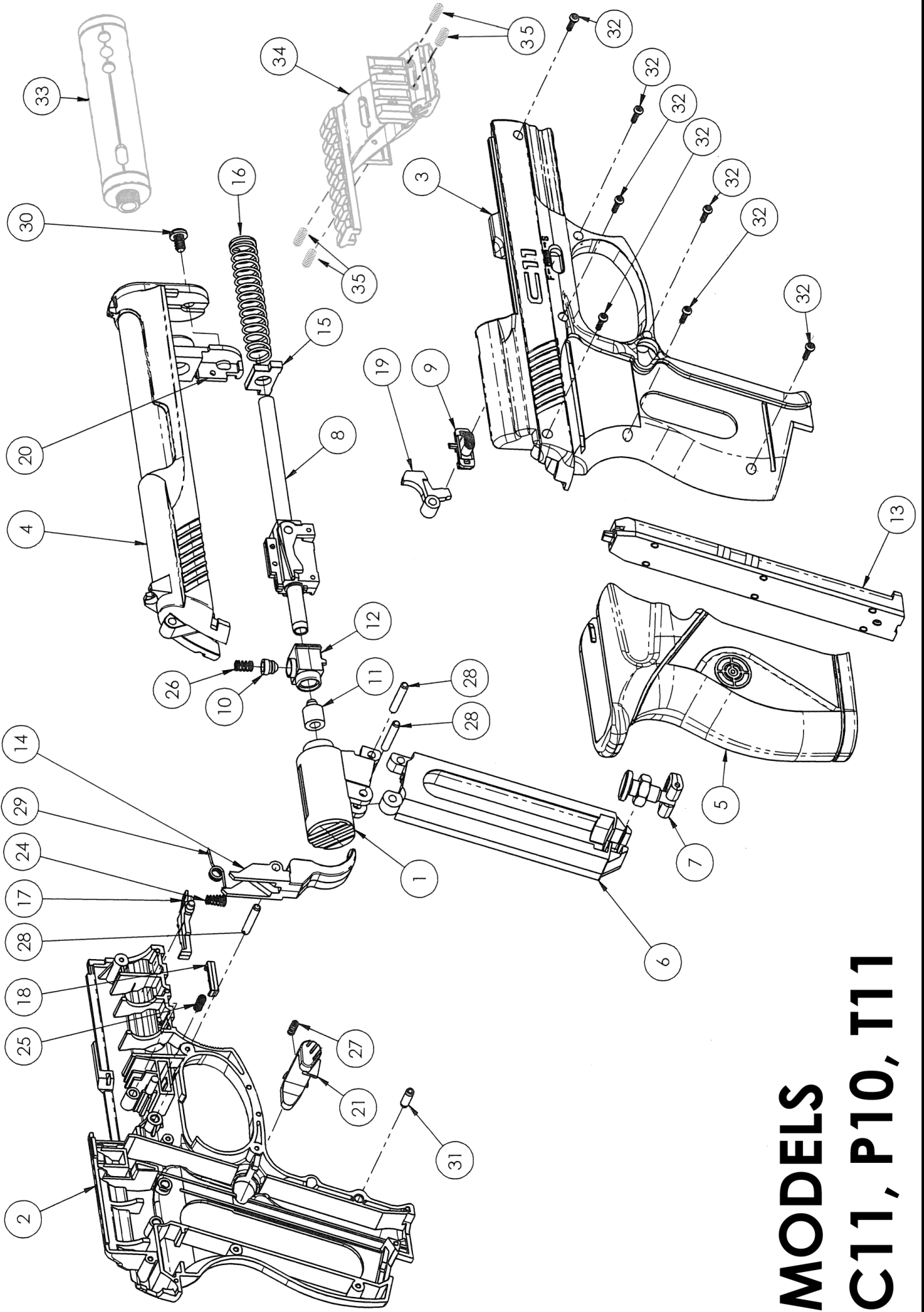
	PART NUMBER	DESCRIPTION
1	C11A007	Valve Assembly
2	C11B101	Frame, Left
3	C11B102	Frame, Right (C11, T11)
	P10A102	Frame, Right (P10)
4	C11A104	Slide, Black
5	C11A105	Grip
6	C11B802	CO2 Housing
7	C11A008	CO2 Screw Assembly
8	C11-003	Barrel Assembly (C11, P10)
	T11-003	Barrel Assembly (T11)
9	C11-009	Safety, Sticker Assembly
10	C11-126	BB Stopper
11	C11-125	Hammer
12	C11-113	BB Housing
13	C11-005	Clip Assembly, .177
14	C11A107	Trigger
15	C11-111	Barrel Spring Stopper
16	C11-119	Spring, Barrel
17	C11A112	Fixing Plate
18	C11-110	Safety Spring Seat
19	C11A109	Locking Block
20	C11A103	Fixing Block (C11, P10)
	T11-103	Fixing Block (T11)
21	C11D106	Magazine Catch
24	C11-121	Spring, Fixing Plate
25	C11-123	Spring, Safety
26	C11-120	Spring, BB's Stopper
27	C11-124	Spring, Magazine Catch
28	C11-529	Pin 3mm X 18mm
29	C11-122	Trigger Spring
30	C11-118	Screw 7-18 x 250 PH Thd Frm
31	ABX-018	Spring Pin, .125x.375
32	C11-117	Screw 1-42 X 312 PH Type B

P10 UNIQUE PARTS

	PART NUMBER	DESCRIPTION
3	P10A102	Frame, Right

T11 UNIQUE PARTS

	PART NUMBER	DESCRIPTION
8	T11-003	Barrel Assembly
20	T11-103	Fixing Block
33	T11-001	Compensator Assembly
34	T11-002	Shroud Assembly
35	1088-010	Screw (4x)



MODELS C11, P10, T11