



## EXPLODED VIEW & PARTS LIST

# CH2009 Pre-Charged Pneumatic Airgun .177 cal. (4.5 mm)



Manufacture Start Date: 8/30/09

Last Update 10/22/10

CROSMAN CORPORATION  
7629 ROUTES 5 & 20  
BLOOMFIELD, NY 14469  
Phone: 1-800-724-7486  
Parts Order Fax: 585-657-5405

[www.crosman.com](http://www.crosman.com)

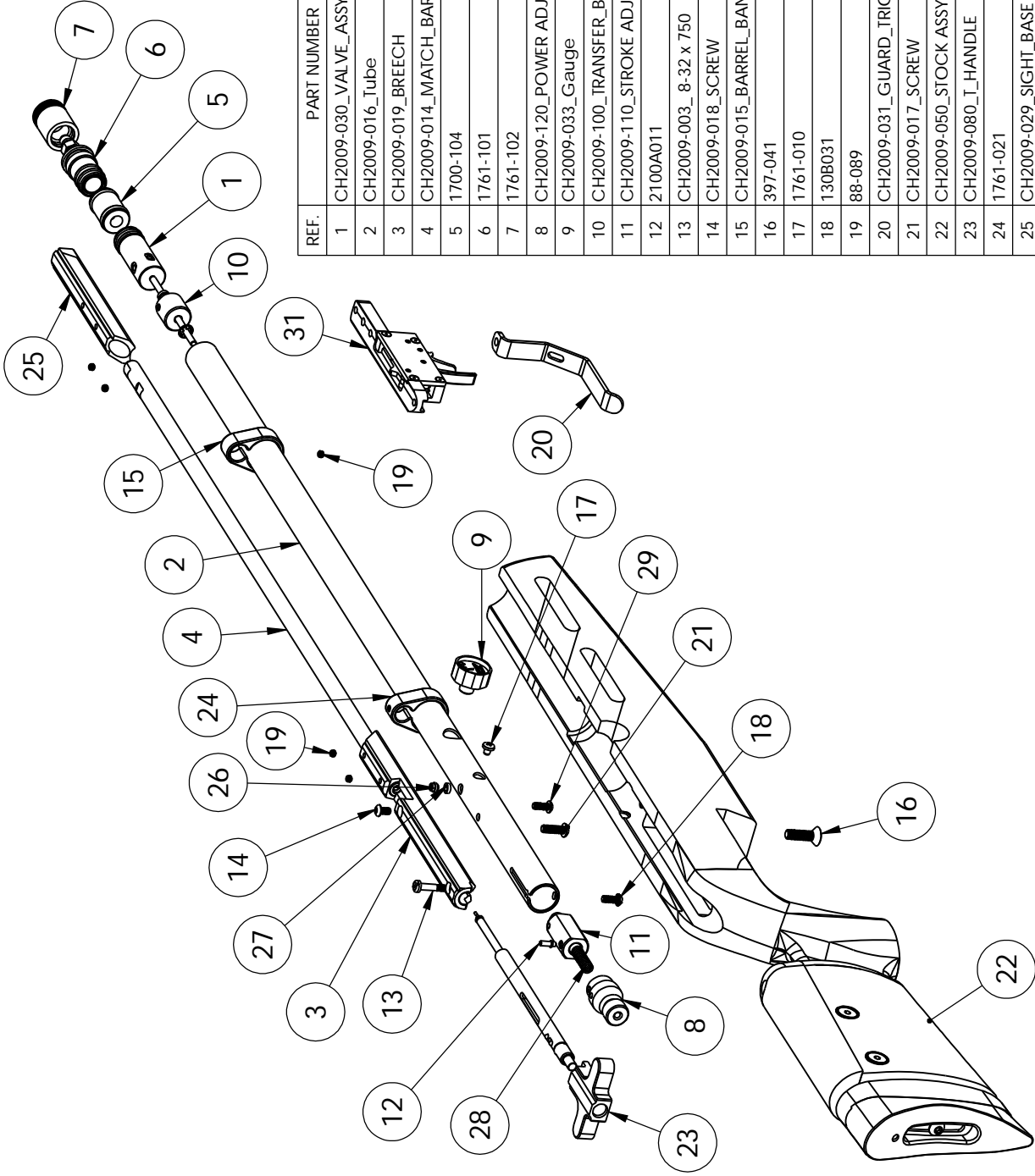
- This EVP and parts list is intended to be an informational guide in ordering parts. It is not instructional material and we therefore assume no responsibility for those who use the same without proper factory training.
- Please order by part number and description.
- Check or money order for the total price must accompany the order.
- For current prices contact Crosman Corporation at 1-800-724-7486 or visit our website [www.crosman.com](http://www.crosman.com)

## PARTS LIST FOR MODEL CH2009

Manufacture Start Date: 8/30/09

	PART NUMBER	DESCRIPTION
<b>1</b>	<b>CH2009-030</b>	<b>Valve Assembly (pg. 5)</b>
1A	1761A002	Valve Body
1B	CH2009-025	Valve Cap
1C	1761-005	O-Ring, AS568-016
1D	130-035	O-Ring
1E	788-061	Spring, Valve
1F	1761A140	Valve Stem, Overmolded
2	CH2009-016	Tube
3	CH2009-019	Breech
4	CH2009-014	Barrel
5	1761-104	Gauge Port Assembly
6	1761-101	Adapter Assembly
7	1761-102	Cap Assembly
<b>8</b>	<b>CH2009-120</b>	<b>Hammer Energy Adj. (pg.5)</b>
8A	CH2009-012	Tube Plug
8B	CH2009-011	Spring Compression Adj.
8C	CH2009-023	Pin, Acetal
9	CH2009-033	Gauge, Manometer
<b>10</b>	<b>CH2009-100</b>	<b>Transfer Bar Ass'y (pg. 5)</b>
10A	CH2009-010	Transfer Bar Guide
10B	CH2009-005	Transfer Bar
10C	CH2009-002	External Self Locking
10D	247-015	Spring
<b>11</b>	<b>CH2009-110</b>	<b>Stroke Adjustment (pg. 5)</b>
11A	CH2009A009	Hammer
11B	1763A036	Striker Pin
11C	CH2009-023	Pin, Acetal
12	2100A011	Hammer Pin
13	CH2009-003	Screw
14	CH2009-018	Screw, Breech
15	CH2009-015	Barrel Band
16	397-041	Stock Mounting Screw
17	1761-010	Screw (3)
18	130B031	Screw
19	88-089	Set Screw (7)
20	CH2009-031	Trigger Guard
21	CH2009-017	Screw, Trigger Guard
22	CH2009-050	Adjustable Stock
23	CH2009-080	Bolt, Assembly
24	1761-021	Barrel Band
25	CH2009-029	Base, Front Sight

	PART NUMBER	DESCRIPTION
26	CH2009-026	Sleeve
27	130-036	Breech Gasket
28	2261-009	Spring, Hammer
29	1763-035	Screw
<b>31</b>	<b>1763A105</b>	<b>Trigger Assembly (pg. 4)</b>
31A	1763-040	Casing, Trigger
31B	1763-041	Cover
31C	1763-042	Trigger
31D	1763-043	Safety Lever
31E	1763B044	Link, Trigger
31F	1763-045	Sear
31G	10804	Pin, Dowel, .125 x 625
31H	1763-047	Pin, Dowel, .125 x 500
31J	1763-048	Spacer, Delrin .25x .126x .123
31K	1763-049	Spacer, Delrin .375x .126x .086
31L	1763-050	Spring, Trigger Link
31M	1763-051	Spring, Safety
31N	1763-052	Spring, Sear
31P	1763-054	Set Screw, 4-40x .188 OV PT
31Q	1763-055	Set Screw, 4-40x .315 OV PT
31R	1763-056	Screw, 4-40 x .375 FHCS
31S	1763-057	Roll Pin, .094 x.250
31T	397-062	Seal .177 Breech O-Ring
31U	1763-065	Spring, Torsion, Link
31V	1763A053	Screw ¼-28 x .215, Socket Hd

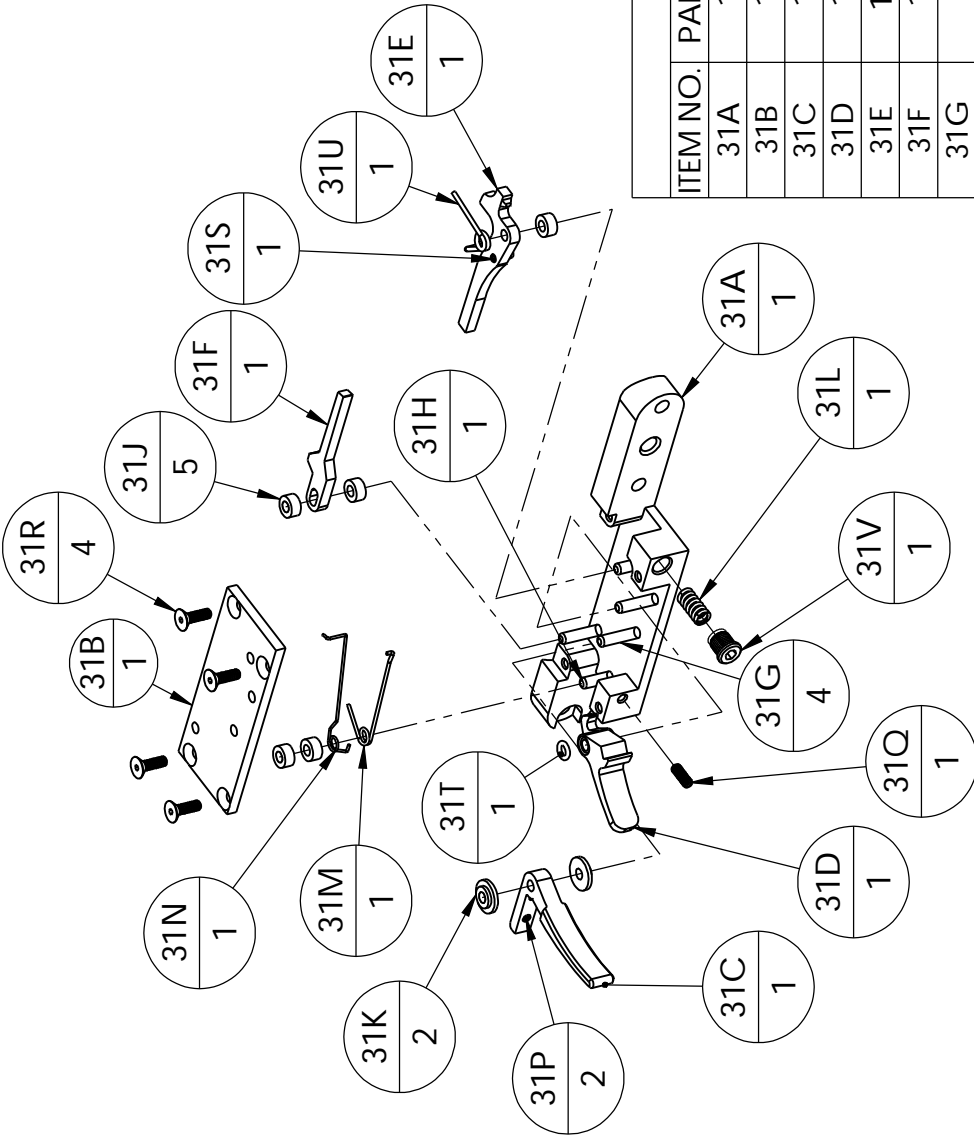


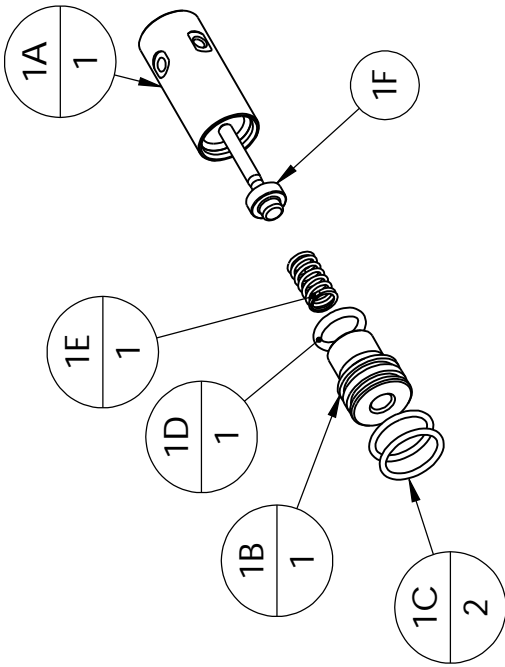
REF.	PART NUMBER	DESCRIPTION	QTY
1	CH2009-030_Valve_Assy	VALVE ASSEMBLY	1
2	CH2009-016_Tube	TUBE	1
3	CH2009-019_Breech	BREECH	1
4	CH2009-014_Match_Barrel	BARREL, 24 CROS 177 CAL.	1
5	1700-104	GAUGE PORT ASSY	1
6	1761-101	ADAPTER ASSEMBLY	1
7	1761-102	CAP ASSEMBLY	1
8	CH2009-120_Power_Adj	HAMMER ENERGY ADJUSTMENT	1
9	CH2009-033_Gauge	MANOMETER	1
10	CH2009-100_Transfer_Bar_Assy	TRANSFER BAR ASSEMBLY	1
11	CH2009-110_Stroke_Adj	STROKE ADJUSTMENT	1
12	2100A011	HAMMER PIN	1
13	CH2009-003_8-32 x 750	SCREW, SHOULDER 8-32 x .750	1
14	CH2009-018_Screw	SCREW/BREECH	1
15	CH2009-015_Barrel_Band	BARREL BAND	1
16	397-041	STOCK MOUNTING SCREW	1
17	1761-010	SCREW, #8x.188, PPH	3
18	130B031	SCREW, 8-32 x .437	1
19	88-089	SET SCREW 8-32 x 125 CUP HEX HD	7
20	CH2009-031_Guard_Trigger	TRIGGER GUARD	1
21	CH2009-017_Screw	TRIGGER GUARD SCREW	1
22	CH2009-050_Stock Assy	ADJUSTABLE STOCK	1
23	CH2009-080_I_Handle	BOLT, ASSEMBLY	1
24	1761-021	BARREL BAND	1
25	CH2009-029_Sight_Base	BASE, FRT SIGHT	1
26	CH2009-026_Sleeve	SLEEVE	1
27	130-036	BREECH GASKET	1
28	2261-009	SPRING, HAMMER	1
29	1763-035	SCREW, 8-32 x .437 BHCS	1
31	1763A105_TriggerAssy	TRIGGER ASSEMBLY	1

# MODEL: CH2009

**ITEM 31, TRIGGER ASSEMBLY**

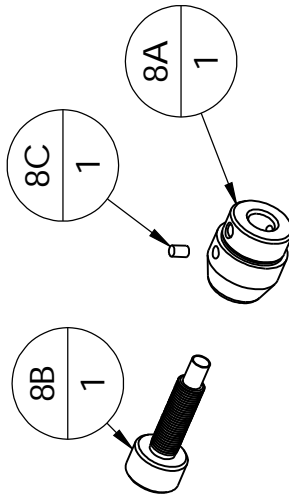
ITEM NO.	PART NUMBER	DESCRIPTION	QTY.
31A	1763-040	CASING, TRIGGER	1
31B	1763-041	COVER, TRIGGER CASING	1
31C	1763-042	TRIGGER	1
31D	1763-043	LEVER, SAFETY	1
31E	1763B044	LINK, TRIGGER	1
31F	1763-045	SEAR	1
31G	10804	PIN, DOWEL, .125 x .625	4
31H	1763-047	PIN, DOWEL, .125 x .500	1
31J	1763-048	SPACER, DELRIN, .25x.126x.123	5
31K	1763-049	SPACER, DELRIN, .375x.126x.086	2
31L	1763-050	SPRING, TRIGGER LINK	1
31M	1763-051	SPRING, SAFETY	1
31N	1763-052	SPRING, SEAR	1
31P	1763-054	SET SCREW, 4-40 x .188, OV PT	2
31Q	1763-055	SET SCREW, 4-40 x .312, OV PT	1
31R	1763-056	SCREW, 4-40 x .375, FHCS	4
31S	1763-057	ROLL PIN, .094 x .250	1
31T	397-062	SEAL, .177 BREECH O-RING	1
31U	1763-065	SPRING, TORSION, LINK	1
31V	1763A053	SCREW, 1/4-28 x .215, SOCKET HEAD	1





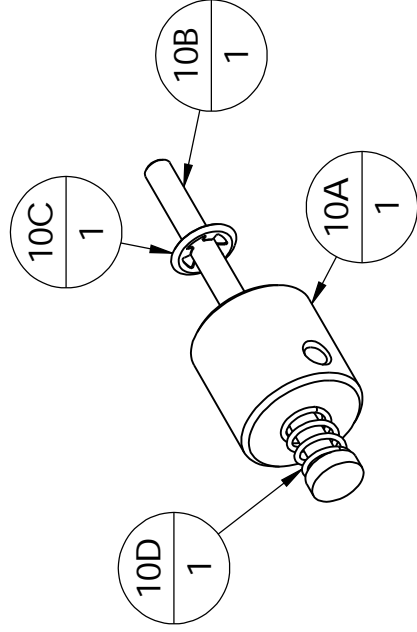
**ITEM 1, VALVE ASSEMBLY**

ITEM NO.	PART NUMBER	DESCRIPTION	QTY.
1A	1761A002	VALVE BODY	1
1B	CH2009-025_ValveCap	VALVE CAP	1
1C	1761-005	O-RING, AS568-016	2
1D	130-035	O-RING	1
1E	788-061	SPRING, VALVE	1
1F	1761A140	VALVE STEM	1



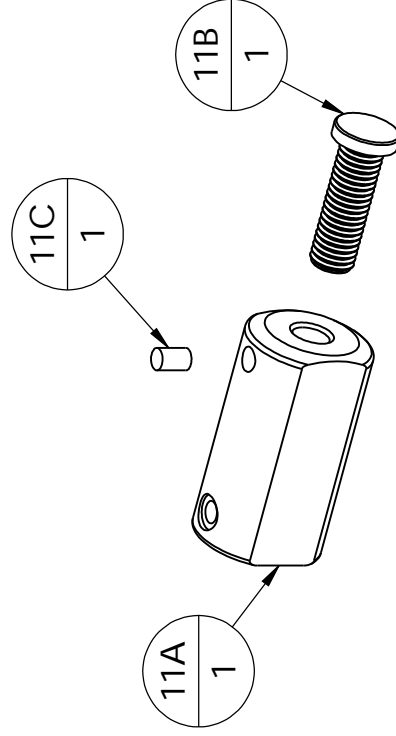
**ITEM 8, HAMMER ENERGY ADJUSTMENT**

ITEM	PART NUMBER	DESCRIPTION	Default/ QTY.
8A	CH2009-012	PLUG, TUBE	1
8B	CH2009-011_ADJ_KNOB	SPRING COMPRESSION ADJ	1
8C	CH2009-023	PIN, ACETAL	1



**ITEM 10, TRANSFER BAR ASSY**

ITEM	PART NUMBER	DESCRIPTION	QTY.
10A	CH2009-010_ANULAR_RING	TRANSFER BAR GUIDE	1
10B	CH2009-005_TRANSFER_BAR	TRANSFER BAR	1
10C	CH2009-002_RETAINER	EXTERNAL SELF LOCKING	1
10D	247-015	SPRING,	1



**ITEM 11, STROKE ADJUSTMENT**

ITEM NO.	PART NUMBER	DESCRIPTION	QTY.
11A	CH2009A009	HAMMER	1
11B	1763A036	STRIKER PIN	1
11C	CH2009-023	PIN, ACETAL	1