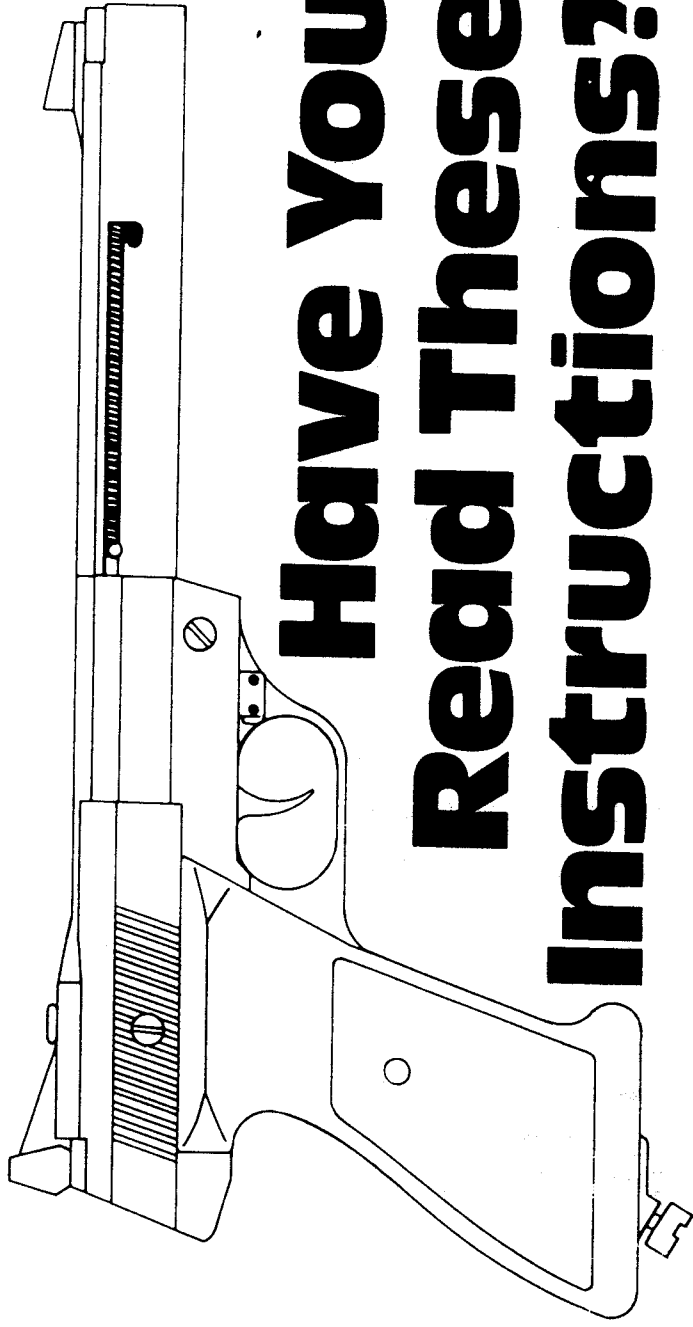
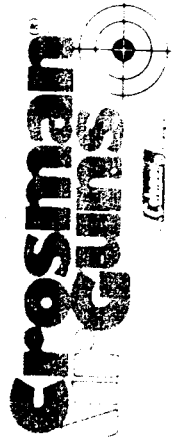


Honestly now...

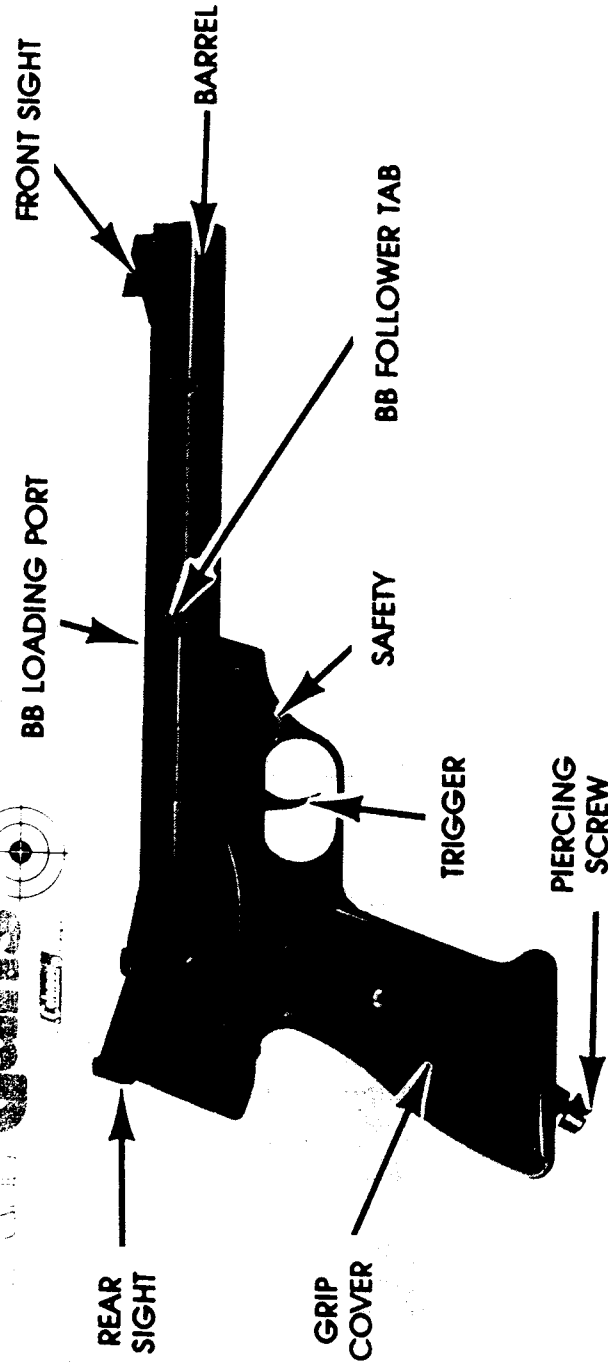


**Have You
Read These
Instructions?**

MODEL 1600 POWERMATIC



MODEL 1600 POWERMATIC



**Read This Owner's Manual
and be a Safe Shooter**



CAUTION

NOT A TOY. ADULT SUPERVISION
REQUIRED. MISUSE OR CARELESS USE MAY CAUSE SERIOUS
INJURY OR DEATH. MAY BE DANGEROUS UP TO 250 YARDS (229
METRES).

READ ALL INSTRUCTIONS BEFORE USING. THIS AIRGUN SHOULD
NOT BE USED BY ANYONE UNDER 8 YEARS OLD.

BUYER AND USER HAVE THE DUTY TO OBEY ALL LAWS ABOUT THE
USE AND OWNERSHIP OF THIS AIRGUN.

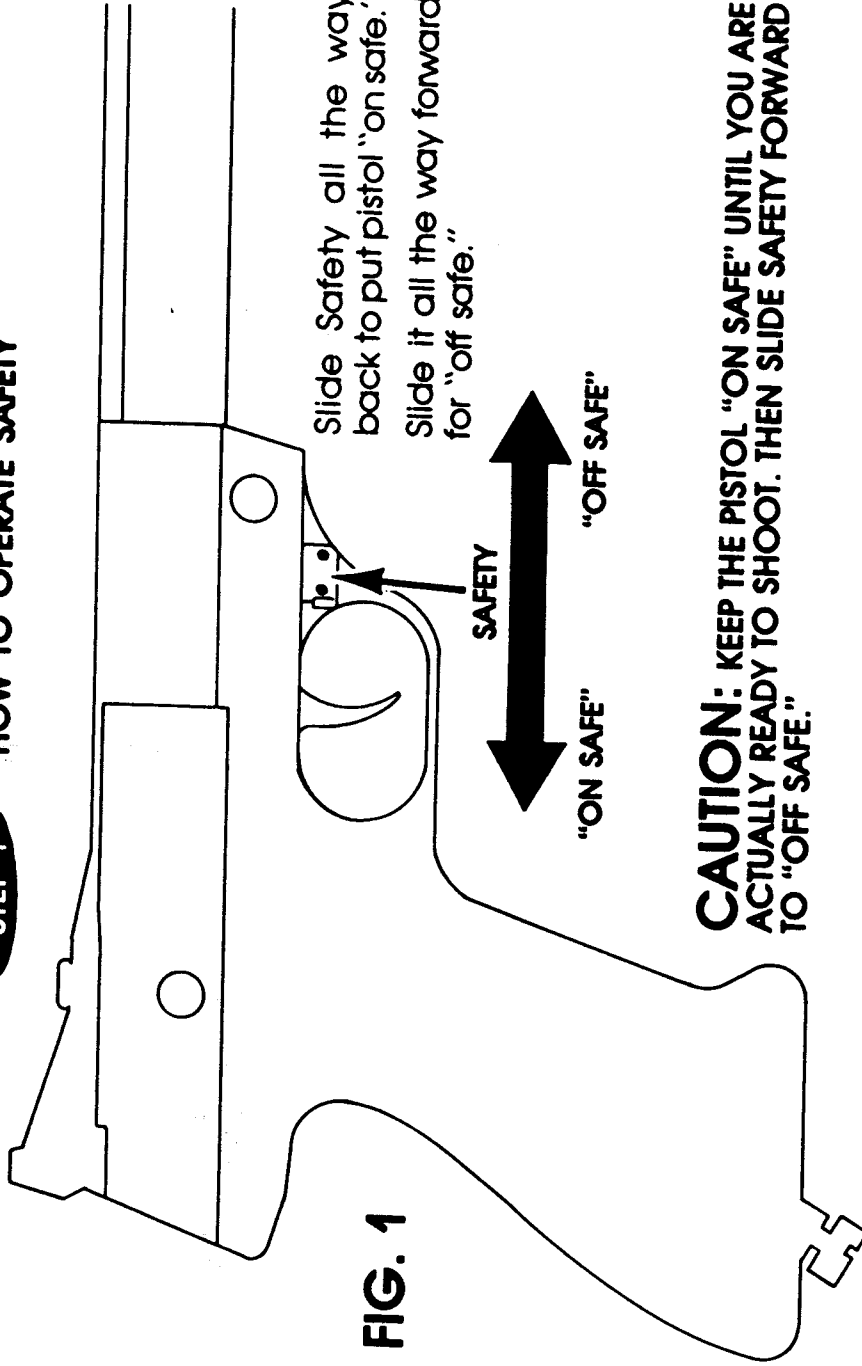
How to Operate Your Pistol

IMPORTANT STEPS FOR SAFE OPERATION

- STEP 1** How to operate Safety
- STEP 2** How to remove CO₂ Powerlet®
- STEP 3** How to load and pierce CO₂ Powerlet®
- STEP 4** How to load and unload BBs
- STEP 5** How to aim and fire

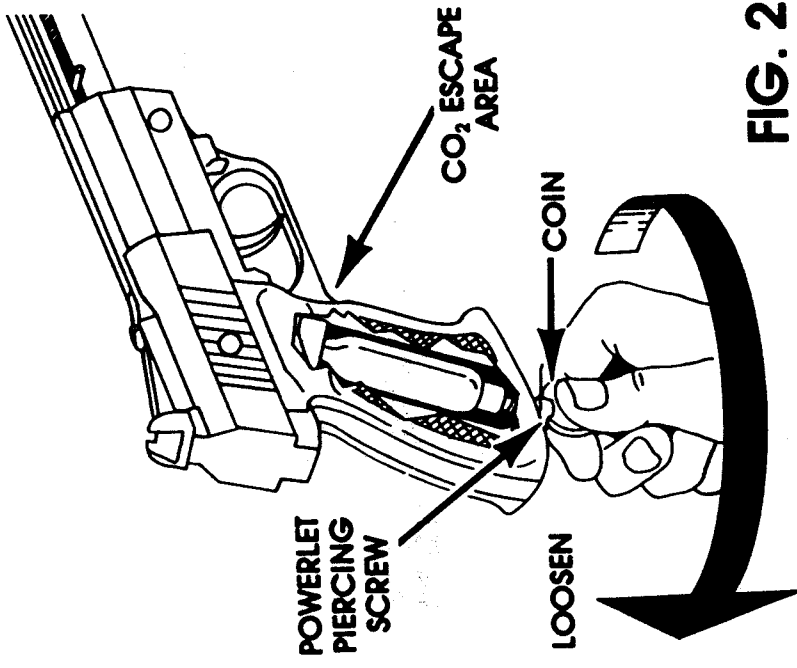
STEP 1

HOW TO OPERATE SAFETY

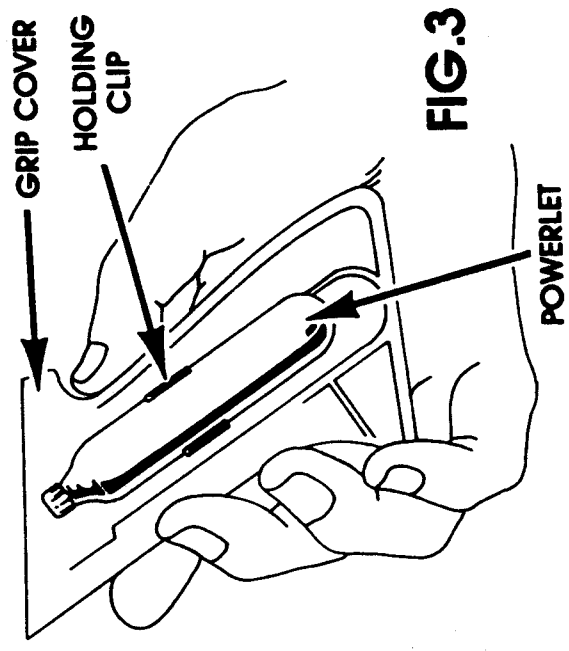


STEP 2 HOW TO REMOVE CO₂ POWERLET®

A. Release Powerlet (Fig. 2).



B. Remove Grip Cover and slide empty Powerlet from Holding Clip (Fig. 3).

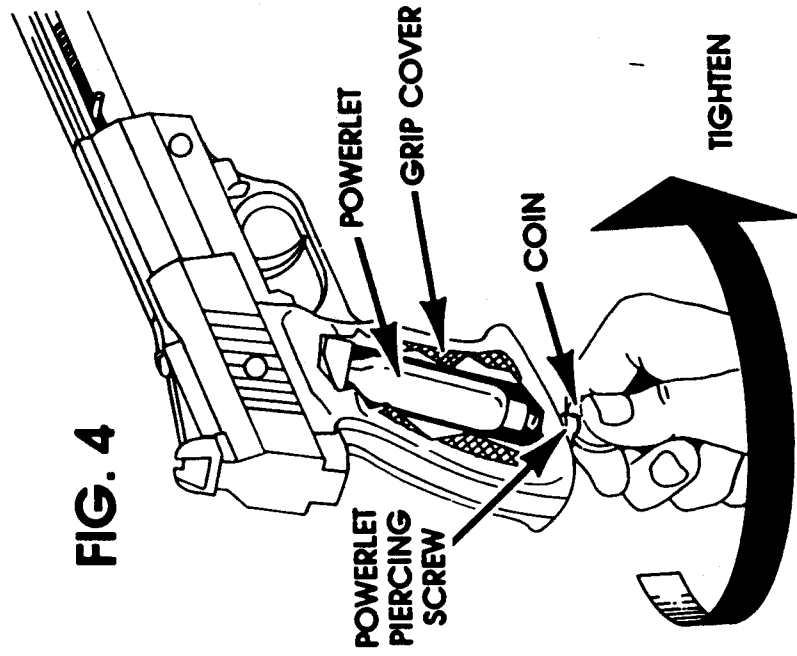


STEP 3

HOW TO LOAD AND PIERCE CO₂ POWERLET®

- A. Put pistol "on safe."
- B. Insert new Powerlet, small neck up.
- C. Snap Grip Cover into place.
- D. Turn Piercing Screw with coin. (Fig. 4).
- E. AIM IN SAFE DIRECTION. Take pistol "off safe" and fire, to see if Powerlet has been pierced. If pistol doesn't fire, tighten a little more.

FIG. 4



CAUTION: NEVER USE ANY TOOL ON POWERLET PIERCING SCREW. IF YOU GET IT TOO TIGHT YOU MAY DAMAGE THE PISTOL AND INJURE YOURSELF.

STEP 4

HOW TO LOAD AND UNLOAD BBs

TO LOAD

- A. Put pistol "on safe."
- B. Push BB Follower Tab forward and hook in slot. (Fig. 5)
- C. Load 16 or 17 BBs into BB Loading Port (point barrel up so BBs will roll in).
- D. Unhook BB Follower Tab from slot.

TO UNLOAD

- A. Push BB Follower Tab forward and hook in slot.
- B. Turn gun upside down, point slightly downward, and shake. BBs will drop from Loading Port.

NOTE: Use new BBs only! Pellets, used BBs or other objects will jam your pistol.

WARNING: THE BB FOLLOWER TAB IS NOT A "LOAD INDICATOR" OR "BB COUNTER." EVEN WHEN IT IS ALL THE WAY TO THE REAR THERE CAN STILL BE A BB LOADED IN THE PISTOL.

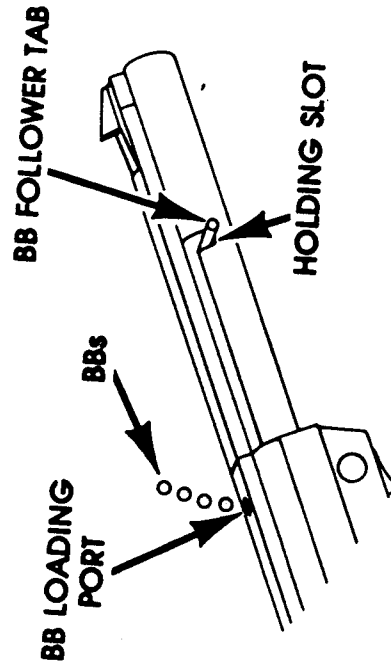


FIG. 5

PLEASE FLIP OVER AND READ ON...

STEP 5**HOW TO AIM AND FIRE**

Aim the pistol in a SAFE DIRECTION. When you are sure of your Target and Backstop, and the area around the Target is clear, squeeze the Trigger to fire. Let the Trigger return to its full forward position after each shot, and you can fire all the BBs as fast as you like.

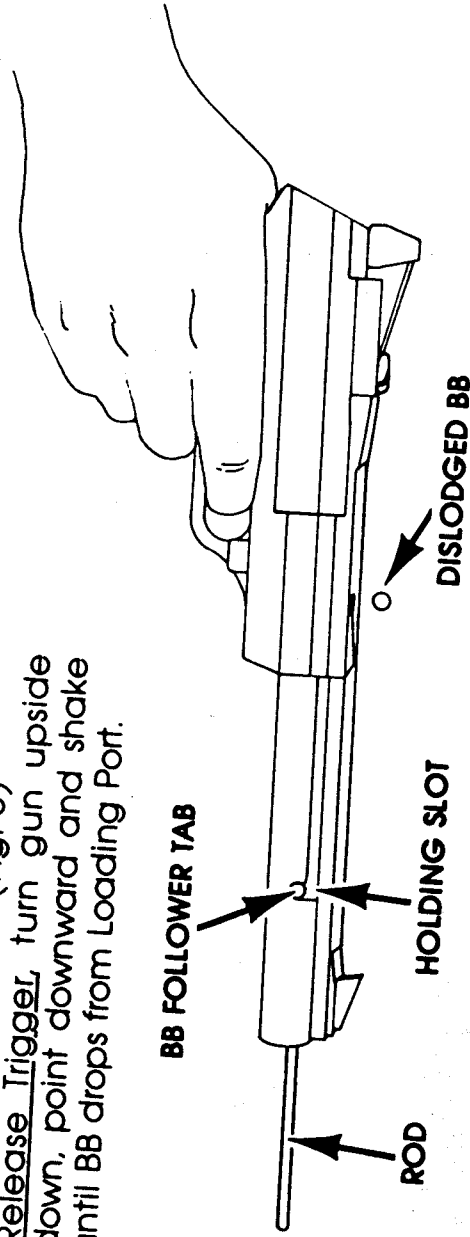
Don't shoot at hard surfaces or water. BBs may bounce off and hurt you or others. Always check to see if the gun is loaded when getting it from another person or from storage. Don't put it away loaded. Backstops wear out, so always check yours before shooting into it. If you drop your gun, check it for proper function before you use it again. If any functions change, like a shorter or weaker trigger pull, this may mean worn or broken parts: don't use it again until you've had it checked by an Authorized Service Station. (A list of Service Stations is in the box with the pistol.)

THINK! WHAT WILL YOU HIT IF YOU MISS THE TARGET?

IF YOUR 1600 JAMS

- A. Remove the Powerlet. (See Step 2.)
- B. Push BB Follower Tab into slot and unload BBs. (See Step 4.)
- C. Pull and hold Trigger all the way back.
- D. Insert a rod or metal clothes hanger into barrel and gently push jammed BB all the way back. (Fig. 6)
- E. Release Trigger, turn gun upside down, point downward and shake until BB drops from Loading Port.

**BE CAREFUL -
BE A SAFE SHOOTER**



IF YOU CAN'T UNJAM YOUR GUN, SEE REPAIR SERVICE SECTION.

HOW TO OIL THE 1600 POWERMATIC

Your 1600 will work best if you oil it EVERY 250 SHOTS. Put 2 or 3 drops of CROSMAN PELLGUNOIL On the threads of the Powerlet Piercing Screw, in the Trigger and Safety mechanisms, and on the Valve Seal (Fig. 7). A little oil in the Barrel helps prevent rust. PELLGUNOIL is best, but any light household oil is better than none.

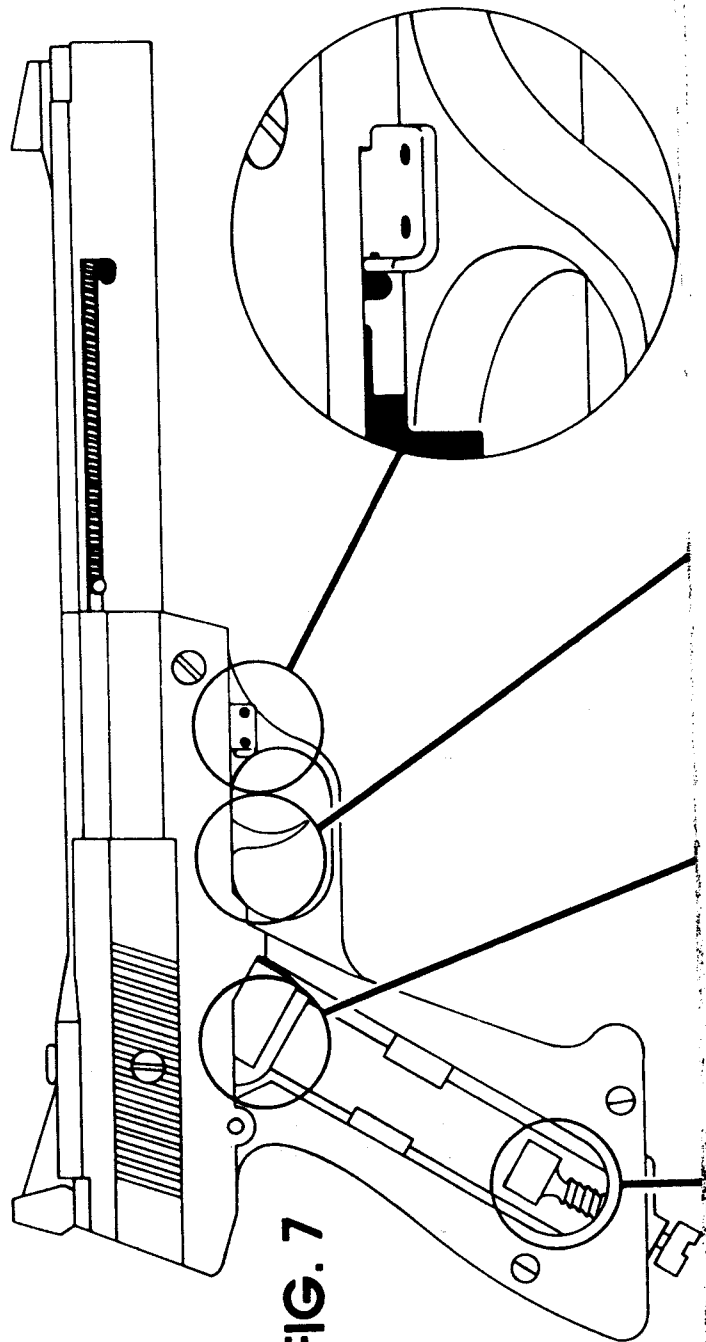
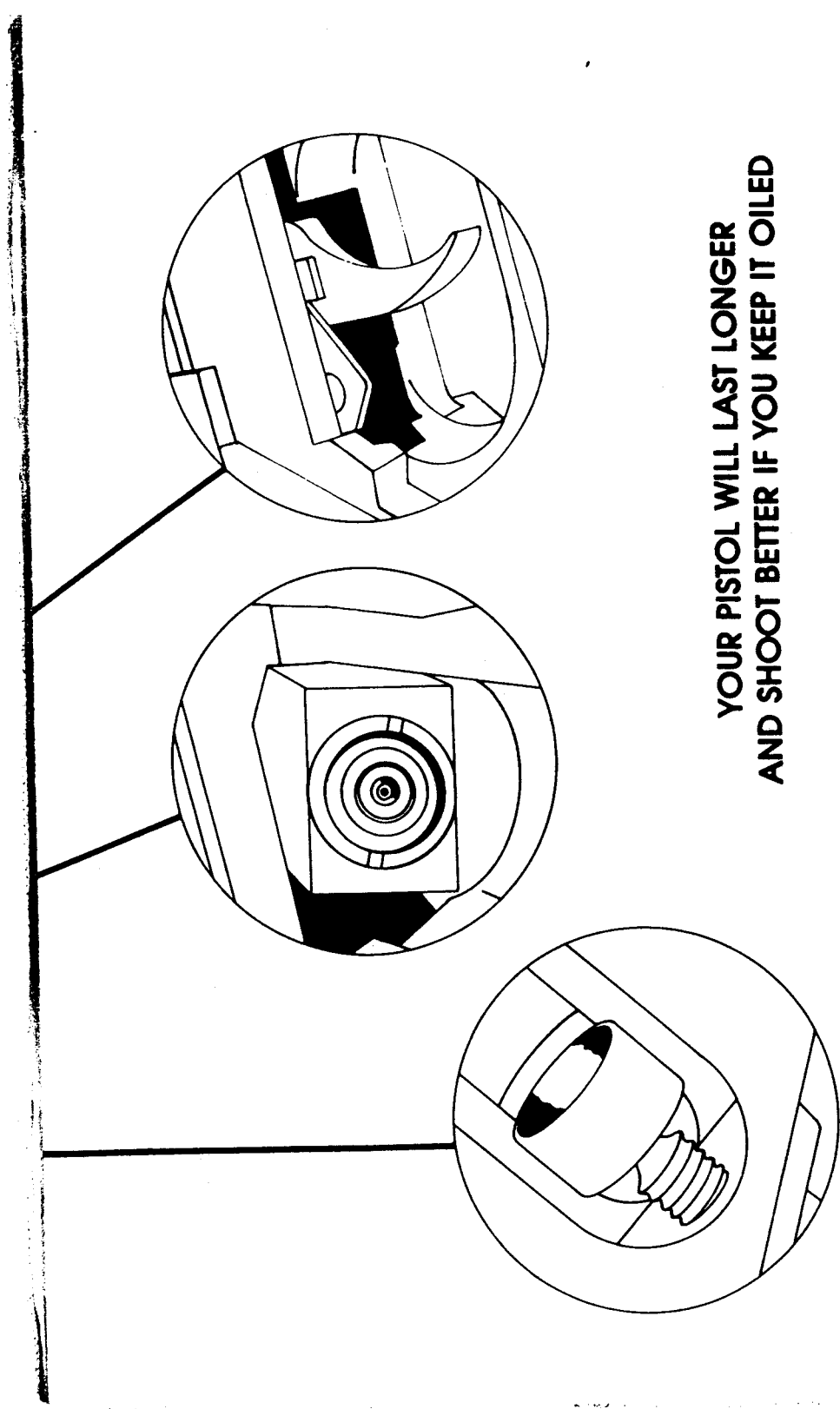


FIG. 7



**YOUR PISTOL WILL LAST LONGER
AND SHOOT BETTER IF YOU KEEP IT OILED**

SPECIFICATIONS

Mechanism	Automatic BB Repeater
Caliber	.177 BB
Ammunition	Crosman BBs
Magazine Capacity	16 or 17 BBs, force feed
Weight	1 lb. 13 oz. (.85 kg)
Overall Length	11½ in. (289mm)
Sights: Rear	Square Notched Type
Front	Ramped Blade
Barrel	7¼ in. (197mm) steel tube, smooth bore
Power Source	One Crosman 12 Gm. CO ₂ Powerlet® (Small neck type) Contoured with thumb rest for left or right hand shooters.
Grips	

PERFORMANCE

Muzzle Velocity (Average)	Projectile Weight
350 f.p.s.	.177 BB 5.5 grains
Average 80 Shots per Powerlet at 70°F	

NOTE: Operating gun at below 70°F will decrease the number of effective shots. The reverse is true for gun operation above 70°F.

REPAIR SERVICE

If your gun needs repair, we recommend you take or send it to your nearest Crosman Authorized Service Center. (List of Service Centers in box with gun). Your gun requires special tools and fixtures to repair it, and if you take it apart, you probably will not be able to reassemble it correctly. Crosman assumes no warranty responsibility in this case.

A SPECIAL CUSTOMER SERVICE

Crosman Authorized Service Center will unjam your gun at no cost, during Warranty period.

**BE CAREFUL -
BE A SAFE SHOOTER**

LIMITED 90 DAY WARRANTY

This product is warranted to the retail consumer for 90 days from date of retail purchase against defects in material and workmanship and is transferable. To register the serial number of your gun, please return the Warranty Record Card. The warranty is not conditioned on the return of the card.

WHAT IS COVERED

Replacement parts and labor. Transportation charges to Consumer for repair product.

WHAT IS NOT COVERED

Transportation charges to Crosman for defective product. Damages caused by abuse or failure to perform normal maintenance — see Owner's Manual. Sales outside of the United States. Any other expense. CONSEQUENTIAL DAMAGES, INCIDENTAL DAMAGES, OR INCIDENTAL EXPENSES, INCLUDING DAMAGE TO PROPERTY. SOME STATES DO NOT ALLOW THE EXCLUSION OR LIMITATION OF INCIDENTAL OR CONSEQUENTIAL DAMAGES, SO THE ABOVE LIMITATION OR EXCLUSION MAY NOT APPLY TO YOU.

Printed in U.S.A.

HOW TO OBTAIN WARRANTY PERFORMANCE

Locate nearest Crosman Service Center on list with Product or in phonebook. In California, call 714/523-0072 if no listing. Attach to Product your name, address, description of problem, phone number and proof of date of retail purchase (sales slip). Package and return Product to Crosman Service Center. Transportation charges prepaid.

IMPLIED WARRANTIES

ANY IMPLIED WARRANTIES, INCLUDING THE IMPLIED WARRANTIES OF MERCHANTABILITY AND FITNESS FOR A PARTICULAR PURPOSE, ARE LIMITED IN DURATION TO ONE YEAR FROM DATE OF RETAIL PURCHASE. SOME STATES DO NOT ALLOW LIMITATIONS ON HOW LONG AN IMPLIED WARRANTY LASTS, SO THE ABOVE LIMITATIONS MAY NOT APPLY TO YOU.

To the extent any provision of this warranty is prohibited by federal, state, or municipal law and cannot be preempted, it shall not be applicable. This warranty gives you specific legal rights, and you may also have other rights which vary from state to state.

8AO 1600-502