



Distributed by Crosman Corporation
7629 Routes 5 & 20 East Bloomfield, NY 14443
www.crosman.com • 1-800-7AIRGUN • 1-800-724-7486

Crosman Pulse P72 Model SAPP72 Soft Air Pistol 6mm Plastic BB OWNER'S MANUAL

SAPP72-515

WARNING: This is not a toy. Adult supervision is required. Misuse may cause serious injury, especially to the eye. Eye protection designed for soft air guns must be worn by the user and any person in range. May be dangerous up to 100 yds (91.44 meters). Read the owner's manual before using.

WARNING: Do not brandish or display this soft air gun in public – it may confuse people and may be a crime. Police and others may think it is a firearm. Do not change the coloration and markings to make it look more like a firearm. That is dangerous and may be a crime.

READ ALL INSTRUCTIONS AND WARNINGS IN THIS MANUAL BEFORE USING THIS SOFT AIR GUN.

BUYER AND USER HAVE THE DUTY TO OBEY ALL LAWS ABOUT THE USE AND OWNERSHIP OF THIS SOFT AIR GUN.

RECOMMEND 18 YEARS OR OLDER TO PURCHASE. INTENDED FOR USE BY THOSE 16 OR OLDER

Please read this owner's manual completely. Remember to treat this soft air pistol with the same respect you would a firearm. Always carefully follow the safety instructions found in this owner's manual and keep this manual in a safe place for future use.

If you have any questions regarding your new soft air pistol, please contact Crosman Customer Service at: 1-800-724-7486, 585-657-6161 or www.crosman.com.

1. Learning the Parts of Your New Soft Air Pistol

Learning the names of the parts of your new soft air pistol will help you to understand your owner's manual. Use this manual to increase your enjoyment of this soft air pistol.

- A. Compensator*
- B. Muzzle
- C. Front Sight
- D. Rear Sight
- E. Battery cover
- F. Battery cover Release (mock hammer)
- G. Mode Selection Lever (Fig 9)
- H. Grip Frame

- I. Clip Release Lever
- J. BB Clip
- K. Trigger
- L. Trigger Guard
- M. Safety (see fig. 2A and 2B)
- N. Battery release lever (fig. 7)
- O. Hop-up Selector Dial (fig. 8)

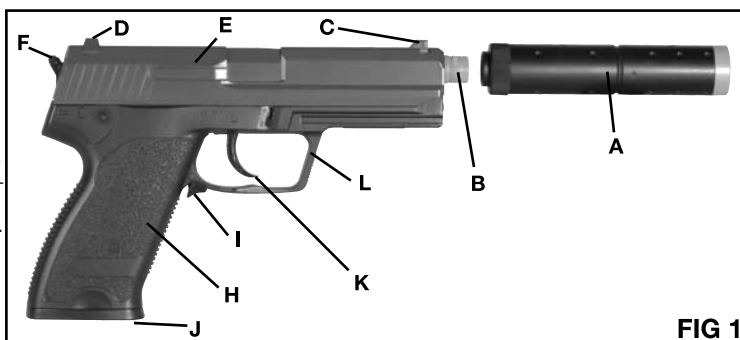


FIG 1

*Your soft air gun has been designed to be used with or without the enclosed compensator. To attach the compensator, screw on the barrel tip until tight. Do not over tighten as it may damage the compensator or barrel. The compensator cannot be on the gun when loading or removing the battery.

2. Operating the Safety

- A. To put the soft air gun "ON SAFE"
- Locate the safety on the right hand side of the soft air gun.
- Push the safety all the way down to the "S" for "ON SAFE" (Fig 2A). The safety is not "ON SAFE" unless it is pushed all the way down to the "S".

WARNING: Keep the soft air pistol in the "ON SAFE" position until you are actually ready to shoot. Then turn the safety to the "OFF SAFE" position.

Like all mechanical devices, a soft air gun safety can fail. Even when the safety is "ON SAFE", you should continue to handle the soft air gun safely. NEVER point the soft air gun at any person. NEVER point the soft air gun at anything you do not intend to shoot.

- B. To Take the Soft Air Gun "OFF SAFE"
- Locate the safety on the right hand side of the soft air gun.
- Turn the safety so it is pointing to one of the "AUTO" positions for "OFF SAFE". (Fig 2B). The safety is "OFF SAFE" when it is pushed to one of the "AUTO" positions, and can be fired.



FIG 2A

FIG 2B

3. Loading and Unloading Plastic BBs

A. Loading

WARNING: Use 6 mm plastic BBs only in this soft air pistol. Use of any other ammunition can cause injury to you or damage to the soft air pistol.

- Make sure the soft air gun is "ON SAFE" (section 2A).
- Point the soft air gun in a SAFE DIRECTION.
- While supporting the BB clip, push the clip release lever down and remove the clip.
- Pull down the BB follower and hold (fig 3).
- Load up to 30 -6 mm plastic BBs in the top of the clip.
- Slowly release the BB follower. Releasing too fast may cause the BBs to pop out of the clip.
- Insert the loaded clip back into the soft air gun until it locks in place.



FIG 3

B. Unloading Plastic BBs

- Make sure the soft air gun is "ON SAFE" (section 2A).
- Point the soft air gun in a SAFE DIRECTION.
- While supporting the BB clip, push the clip release lever down and remove the clip.
- To empty the clip, push down on the tabs on either sides of the loading hole. NOTE: Due to the tension on the spring, the BBs will fly out rapidly.

WARNING: Never assume that because the soft air pistol no longer fires a BB and/or the clip is removed, that a BB is not lodged in the barrel. Always treat the soft air pistol as though it is loaded and with the same respect you would a firearm.

4. Charging the battery

NOTE: Charge the battery a MINIMUM of 5 hours and a MAXIMUM of 6 hours prior to initial use. This soft air gun will not operate properly without a fully charged battery. DO NOT OVERCHARGE THE BATTERY. Be sure to unplug the battery charger when not in use.

- Slide the battery into the charger base so that the arrow on the battery is going into the slot first. (FIG 4) Be sure to push the battery all the way in
- Plug the charger into the base.
- Plug the charger into a standard 110 volt outlet.



FIG 4

5. Loading the battery

NOTE: The battery charging time is a MINIMUM of 5 hours and a MAXIMUM of 6 hours. Continuous battery consumption will allow the soft air gun to shoot for 5 minutes. To prolong the life and maintain the best shooting performance do not shoot over 5 minutes continuously in the Full Auto Mode. DO NOT OVERCHARGE THE BATTERY

- Make sure the soft air gun is "ON SAFE" (section 2A) and is UNLOADED.
- Point the soft air gun in a SAFE DIRECTION.
- Make sure the compensator is not on the gun.
- While holding the soft air gun in a horizontal position press the battery cover release (fake hammer) with one hand, and pull the cover up and off (toward the muzzle) with the other hand (fig. 5).
- With the positive end of the battery toward the back of the gun, slide the battery in from the right side, so that the arrow on the battery goes into the plastic slot (fig 6).
- Push the battery in all the way.
- Slide the battery cover over the end of the muzzle, and push down until locked in place.



FIG 5

6. Removing the battery

- Make sure the soft air gun is "ON SAFE" (section 2A) and is UNLOADED.

- Point the soft air gun in a SAFE DIRECTION.
- Make sure the compensator is not on the gun.
- While holding the soft air gun in a horizontal position press the battery cover release with one hand, and pull the cover up and off (toward the muzzle) with the other hand (fig. 5).
- Locate the battery release lever on the left side of the gun and push the lever down releasing the battery (fig 7.)
- Replace the battery cover by sliding it over the end of the muzzle, and pushing down until locked in place.
- For best results completely use up the battery power before re-charging the battery.

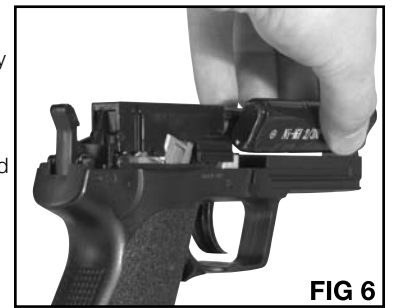


FIG 6

7. Adjusting the Hop-Up

Your soft air gun is manufactured with a hop-up system. The purpose of this system is to change the spin on the BB as it leaves the muzzle, allowing you to adapt your shot for different distances.

- Make sure the soft air gun is "ON SAFE" (section 2A) and the loading chamber is empty (section 3B)
- Point the soft air gun in a SAFE DIRECTION
- While holding the soft air gun in a horizontal position press the battery cover release (fake hammer) with one hand, and pull the cover up and off (toward the muzzle) with the other hand (fig. 5).
- Locate the hop-up dial (fig. 8) and turn to the desired selection. Turn clockwise for more hop-up, turn counter-clockwise for less hop-up)
- Replace the battery cover by sliding it over the end of the muzzle, and pushing down until locked in place.

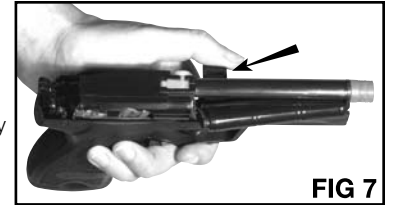


FIG 7

8. Selecting Firing Mode

NOTE: This soft air gun fires in either full-auto or semi-auto mode. Full-auto means it will continue to fire plastic BBs as long as you hold the trigger. Semi-auto means you will have to pull the trigger each time you want to fire a shot.

- Locate the mode selection lever on the left side of the gun (fig 9).
- Push the lever all the way up for semi-auto mode.
- Push the lever all the way down for full-auto mode.
- The mode can be changed as needed.



FIG 8

9. Aiming and Firing Safety

- You and others with you should always wear eye protection designed for soft air to protect your eyes.
- Always point your soft air gun in a SAFE DIRECTION.
- Do not shoot at hard surfaces or at the surface of water. The plastic BBs may bounce off or ricochet and hit someone or something you had not intended to hit.
- DO NOT re-use plastic BBs because they could possibly cause damage to your soft air gun.
- Your soft air gun is designed for target shooting and is suited for both indoor and outdoor use. Always remember to place your target carefully. THINK about what you will hit if you miss the target.
- Your soft air gun is correctly aimed when the front sight blade is position exactly in the notch of the rear sight. The top of the front sight blade should be even with the top of the notch in the rear sight. The bulls-eye should appear to rest on the top of the front sight.
- When you are sure of your target and backstop, and the area around the target is clear, load and charge the soft air gun following sections 3 and 4. Take the soft air gun "OFF SAFE" (section 2A) aim and pull the trigger to fire.

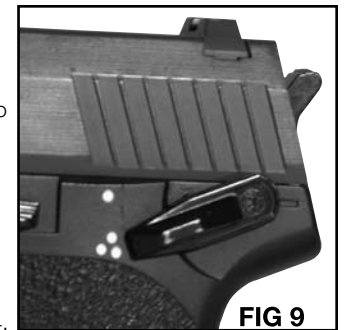


FIG 9

10. Maintaining Your Soft Air Gun

- DO NOT MODIFY OR ALTER YOUR SOFT AIR GUN. Tampering with the soft air gun or attempts to change the soft air gun in any way may make it unsafe to use, may cause serious injury or death and will void the warranty.
- If you drop your soft air gun, visually check to see that it works properly before you use it again. If anything seems changed, like a shorter or weaker trigger pull, this may mean parts are worn out or broken. Call Customer Service at Crosman for assistance before using your soft air gun again.

11. Reviewing Safety

- Do not ever point the soft air gun at any person. Do not ever point the soft air gun at anything you do not intend to shoot.
- Always treat the soft air gun as though it is loaded and with the same respect you would a firearm.
- Always aim in a SAFE DIRECTION. Always keep the muzzle of the soft air gun pointed in a SAFE DIRECTION.
- Always keep the soft air gun "ON SAFE" until you are ready to shoot in a SAFE DIRECTION.
- Always check to see if the soft air gun is "ON SAFE" and unloaded when getting it from another person or from storage.
- Always keep your finger off the trigger and out of the trigger guard until ready to shoot.
- You and others with you should always wear eye protection to protect your eyes.
- Always wear eye protection designed for soft air over your regular glasses.
- Use 6 mm plastic BBs only.
- Do not reuse plastic BBs because they could cause possible damage to your soft air gun.
- Do not shoot at hard surfaces or at the surface of water. The plastic BBs may bounce off or ricochet and hit someone or something you had not intended to hit.
- Replace the backstop if it becomes worn. Place the backstop in a location that will be safe should the backstop fail.
- Your backstop should be checked for wear before and after each use. All backstops are subject to wear and will eventually fail. Replace your backstop if the surface is worn or damaged or if a ricochet occurs.
- Do not attempt to disassemble or tamper with your soft air gun.
- DO NOT MODIFY OR ALTER YOUR SOFT AIRGUN. Attempts to modify the soft air gun in any way may make your soft air gun unsafe to use, cause serious injury or death and will void the warranty.
- Using unauthorized repair centers or modifying the function of your soft air gun in any way may be unsafe and will void your warranty.
- Do not put the soft air gun away loaded. Make sure ALL of the plastic BBs are unloaded from the soft air gun.
- Always store this soft air gun in a secure location.

SPECIFICATIONS

Mechanism/Action	Electronic
Caliber/Ammunition	6mm Plastic BBs
Magazine	Up to 30 6 mm BBs
Barrel	Smooth
Safety	Slide
Velocity	Up to 275 fps (83.82 m/s)

PERFORMANCE: Many factors can affect velocity, including brand of projectile, type of projectile and barrel condition.

CUSTOMER SERVICE

If your soft air gun is not functioning, we recommend that you call Crosman Corporation Customer service at 1-800-724-7486 or 585-657-6161. (International customers should contact their distributor.) DO NOT ATTEMPT TO DISASSEMBLE IT! If you take it apart you probably will not be able to reassemble it correctly. Crosman assumes no warranty responsibility under such circumstances.

LIMITED 30 DAY WARRANTY

This product is warranted to the retail consumer for 30 days from date of retail purchase against defects in material and workmanship and is transferable.

WHAT IS COVERED

Replacement parts and labor. Transportation charges to consumer for repaired product.

WHAT IS NOT COVERED

Transportation charges to Crosman for product. Damages caused by abuse, modification or failure to perform normal maintenance. Any other expense. CONSEQUENTIAL DAMAGES, INCIDENTAL DAMAGES, OR INCIDENTAL EXPENSES, INCLUDING DAMAGE TO PROPERTY. SOME STATES DO NOT ALLOW THE EXCLUSION OR LIMITATION OF INCIDENTAL OR CONSEQUENTIAL DAMAGES, SO THE ABOVE LIMITATION OR EXCLUSION MAY NOT APPLY TO YOU.

WARRANTY CLAIMS

USA Customers: Attach your name, address, description of problem, phone number and copy of sales receipt to product. Package and return to Crosman Corporation, Routes 5 & 20, East Bloomfield, NY 14443.

International Customers: Please return product to your nearest distributor. If you do not know your distributor, please call 585-657-6161 and ask for our International Department for assistance.

IMPLIED WARRANTIES

ANY IMPLIED WARRANTIES, INCLUDING THE IMPLIED WARRANTIES OF MERCHANTABILITY AND FITNESS FOR A PARTICULAR PURPOSE, ARE LIMITED IN DURATION TO 30 DAYS FROM DATE OF RETAIL PURCHASE. SOME STATES DO NOT ALLOW LIMITATIONS ON HOW LONG AN IMPLIED WARRANTY LASTS, SO THE ABOVE LIMITATIONS MAY NOT APPLY TO YOU.

To the extent any provision of this warranty is prohibited by federal, state, or municipal law which cannot be preempted, it shall not be applicable. This warranty gives you specific legal rights, and you may also have other rights which vary from state to state.

CROSMAN is a registered trademark of Crosman Corporation in the United States.

