



## EXPLODED VIEW, PARTS AND PRICE LIST

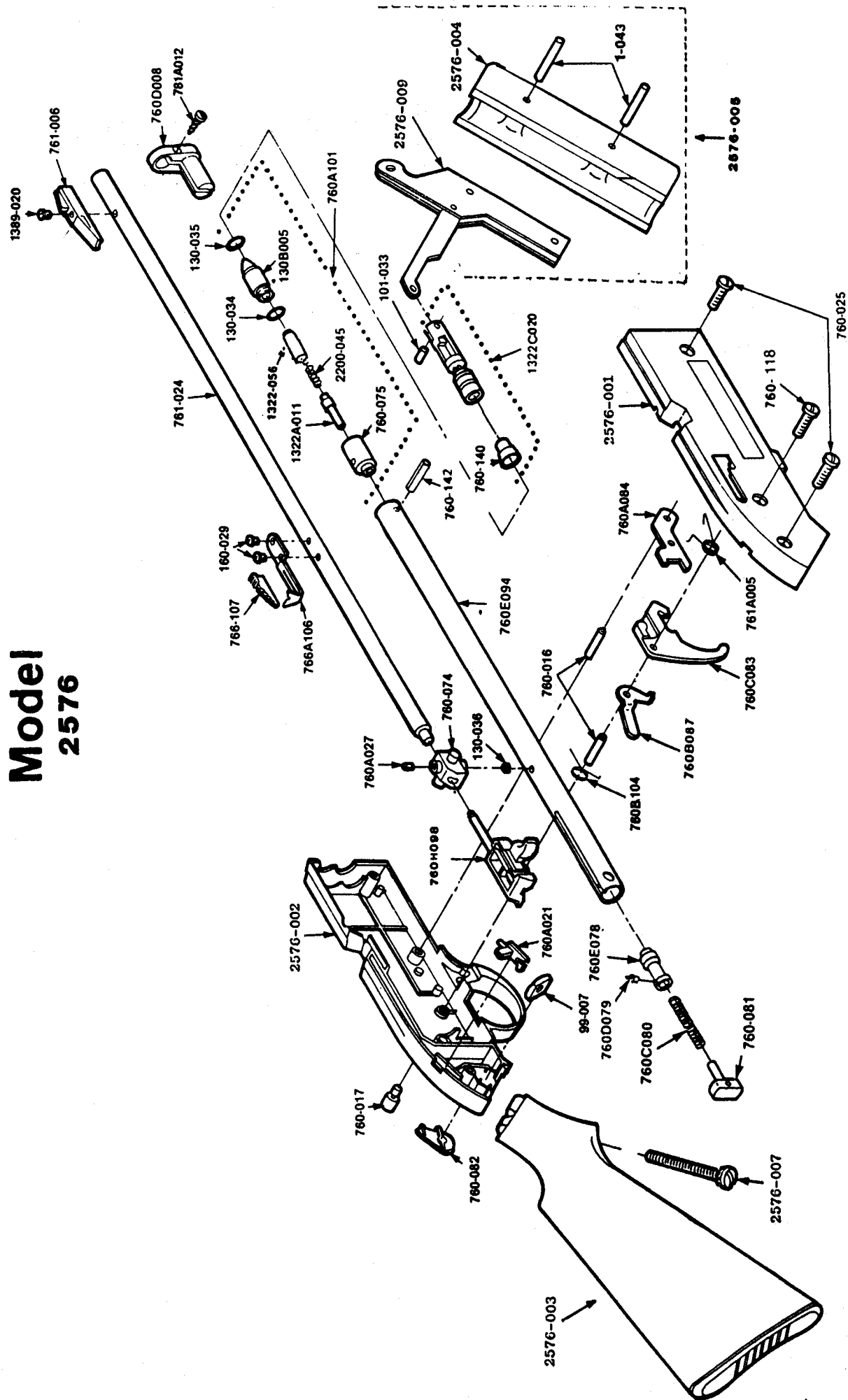
### Model 760 (2576) Commemorative

Manufactured 1991



This parts and price list is intended to be an informational guide in ordering Crosman parts. It is not instructional material and we therefore assume no responsibility for those who use same without proper factory training.

# Model 2576

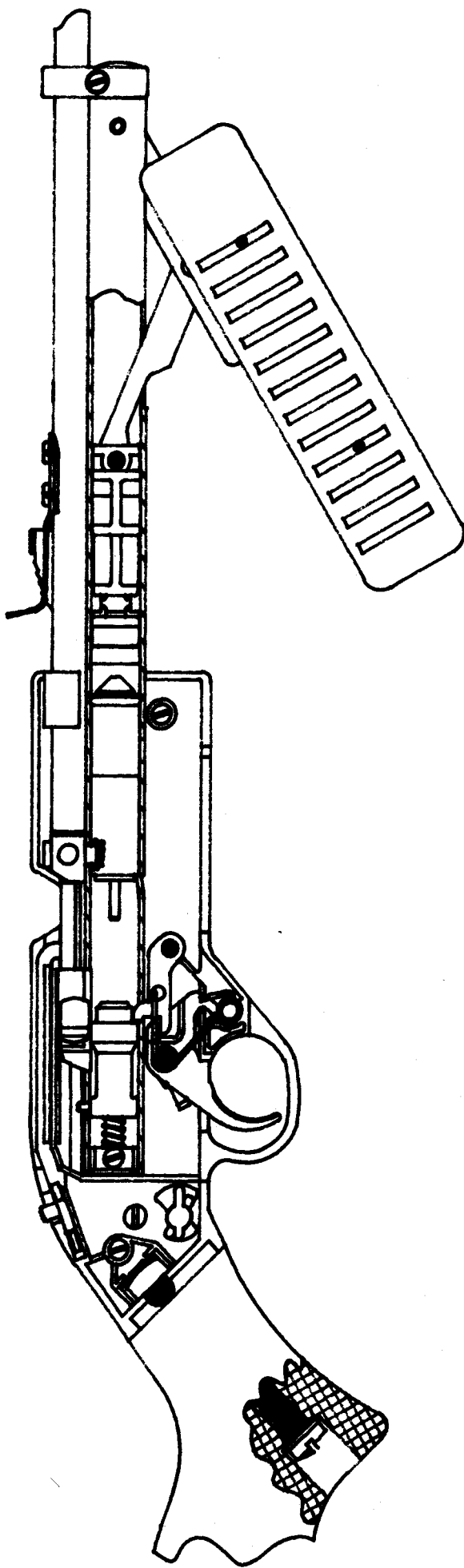


This parts and price list is intended to be an informational guide in ordering Crosman parts. It is not instructional material and we therefore assume no responsibility for those who use same without proper factory training.

MODEL 2576 (HAMMER DROP) ASSEMBLIES AND PARTS LIST

<u>PART NO.</u>	<u>QTY</u>	<u>DESCRIPTION</u>	<u>PRICE</u>	<u>PART NO.</u>	<u>QTY</u>	<u>DESCRIPTION</u>	<u>PRICE</u>
1-043	2	Forearm Pin	\$ .25 each	760E094	1	Pump Tube	\$3.60
99-007	1	Square Nut	.25	760H098	1	Bolt Assembly	1.80
101-033	1	Plunger Guide Pin	.25	760A101	1	Valve Assembly	4.95
130B005	1	Check Valve Body	1.30	760B104	1	Trigger Return Spring	.25
130-034	1	O-Ring	.25	760-118	1	Receiver Screw	.25
130-035	1	O-Ring	.25	761A005	1	Trigger Spring	.25
130-036	1	Breecch Gasket	.25	761-006	1	Front Sight	.25
160-029	2	Rear Sight Screw	.25 each	761-024	1	Barrel	5.20
7600008	1	Front Barrel Guide	.70	760-140	1	Pump Cup	.45
760-016	2	Trigger Pivot Pin	.30 each	760-142	1	Pivot Pin	.25
760-017	1	Safety	.40	766A106	1	Rear Sight	.25
760A021	1	BB Retainer	.25	766-107	1	Elevator	.25
760-025	2	Receiver Screw	.25 each	781A012	1	Barrel Band Screw	.25
760A027	1	Set Screw	.30	1322A011	1	Valve Stem Assembly	1.25
760-074	1	Barrel Support	1.20	1322C020	1	Connecting Rod Assembly	1.35
760-075	1	Valve Body	1.00	1322-056	1	Check Valve	.55
760E078	1	Hammer	1.05	1389-020	1	Front Sight Screw	.30
7600079	1	Hammer Pin	.25	2200-045	1	Check Valve Spring	.25
760C080	1	Hammer Spring	.25	2576-001	1	R.H. Receiver	6.75
760-081	1	Tube Plug	.25	2576-002	1	L.H. Receiver	\$6.85
760-082	1	Port Cover	.25	2576-003	1	Stock	21.55
760C083	1	Trigger Assembly	.85	2576-004	1	Forearm	9.25
760A084	1	Sear	.70	2576-005	1	Lever Link & Forearm Assembly	13.50
760B087	1	Interlock	.35	2576-007	1	Stock Bolt	.70
				2576-009	1	Lever & Link Assembly	5.20

ORDER BY PART NUMBER AND DESCRIPTION. CHECK OR MONEY ORDER IN AMOUNT OF TOTAL PURCHASE MUST ACCOMPANY PARTS ORDER. PRICES SUBJECT TO CHANGE WITHOUT NOTICE.



# Model 760 (2576) Commemorative

Manufactured 1991