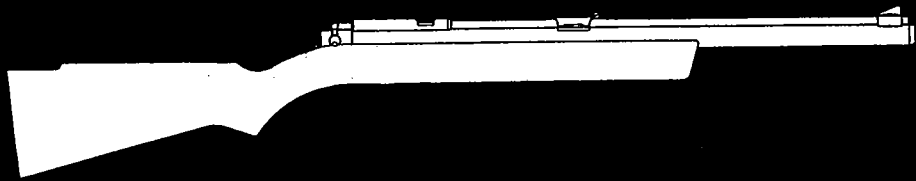


BLUE STREAK® AND SILVER STREAK®
F9 SERIES .20 CALIBER AND G397 MODELS,
.177 CALIBER AND G392 MODELS .22 CALIBER



READ ALL INSTRUCTIONS AND WARNINGS IN THIS
MANUAL BEFORE USING THIS AIRGUN.

CONGRATULATIONS

And thank you for purchasing one of our precision made CO₂ rifles. We hope you share our enthusiasm for quality products.

Please read this owner's manual completely. And remember, this rifle is not a toy. Treat it with the same respect you would a firearm. Always carefully follow the safety instructions found in this owner's manual and keep this manual in a safe place for future use.

If you have any questions concerning your new rifle, please contact us.

Sincerely,

Benjamin Sheridan Corporation
Routes 5 & 20
East Bloomfield, NY 14443

1



WARNING:

NOT A TOY. ADULT SUPERVISION REQUIRED. MISUSE OR CARELESS USE MAY CAUSE SERIOUS INJURY OR DEATH. MAY BE DANGEROUS UP TO 475 YARDS (435 METERS).

READ ALL INSTRUCTIONS BEFORE USING.

BUYER AND USER HAVE THE DUTY TO OBEY ALL LAWS ABOUT THE USE AND OWNERSHIP OF THIS AIRGUN.

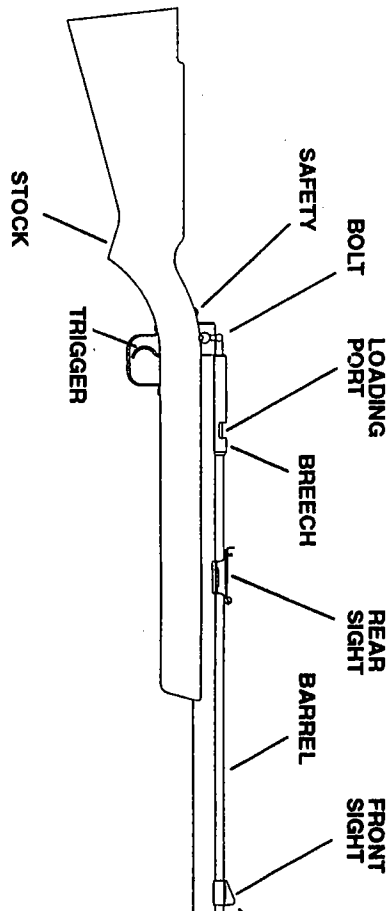
THIS AIRGUN IS INTENDED FOR USE BY THOSE 16 YEARS OF AGE OR C

STEPS FOR SAFE SHOOTING

Page

Step 1. Learning the Parts of Your New Rifle	4
Step 2. Operating the Safety	5
Step 3. Removing and Installing CO ₂ Cylinder	7
Step 4. Loading and Unloading Pellets	9
Step 5. Aiming and Firing Safely	10
Step 6. Removing a Jammed Pellet	12
Step 7. Maintaining Your Rifle	13
Step 8. Reviewing Safety	15
Step 9. Choosing Targets	16

Step 1. Learning the Parts of Your New Rifle



Step 2. Operating the Safety

NOTE: BE SURE THE RIFLE IS "OFF SAFE" BEFORE COCKING. (FIG.2). FAILURE TO FOLLOW THE PROCEDURE LISTED BELOW MAY RESULT IN JAMMING THE FIRING MECHANISM.

A. Cocking the Rifle

- Point the rifle in a safe direction.
- Push bolt handle up and pull all the way back until you hear two clicks and bolt stays rearward. (Fig. 1).
- Close the bolt by pushing the bolt forward and then downward into the locked position.

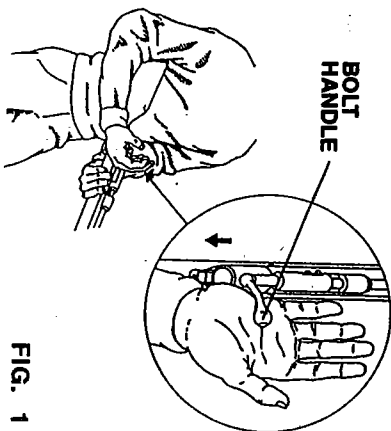


FIG. 1

B. Putting the Rifle "On Safe"

⚠ WARNING: THE RIFLE MUST BE COCKED BEFORE YOU CAN "ON SAFE".

- To put the rifle "On Safe, pull the safety all the way back with your thumb. The safety is not on unless it is pulled all the way back so the red dot is covered and the "S" is completely visible.
- Even when the safety is on you should continue to handle the rifle safely. Don't point the rifle at anything you don't intend to shoot.
- To take the rifle "Off Safe", push the safety all the way forward. When you can see the red dot behind the safety the gun is "Off Safe" and ready to be fired. (Fig. 2).

⚠ WARNING: KEEP THE RIFLE "ON SAFE" UNTIL YOU ARE READY TO SHOOT. THEN PUSH IT TO "OFF SAFE".

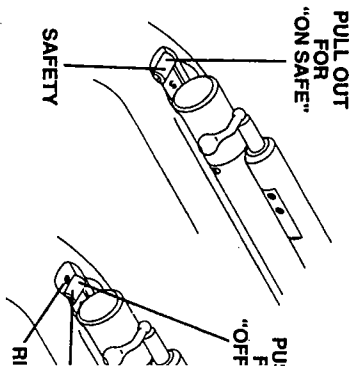


FIG. 2

Step 3. Removing and Installing CO₂ Cylinder

⚠ CAUTION: KEEP HANDS AWAY FROM ESCAPING CO₂ GAS. IT CAN CAUSE FROSTBITE IF ALLOWED TO COME IN CONTACT WITH SKIN.

A. Removing CO₂ Cylinder.

- Unload the rifle. (See Step 4).
- Put rifle "On Safe". (See Step 2).
- Slowly turn the filler cap counterclockwise completely allowing the release of remaining CO₂ through the action.

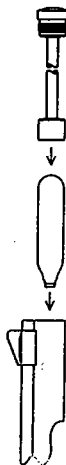


FIG. 3

- Pull the filler assembly from the action tube and remove the empty CO₂ cylinder by pointing the muzzle of the rifle down.
- B. Installing New CO₂ Cylinder**

- Insert the new CO₂ cylinder into the rifle with the small neck of the cylinder into the action tube first. (Fig. 3).
- Replace the filler cap assembly in the action tube. Be sure to screw the filler cap completely into place.
- Point the unloaded rifle in a **SAFE DIRECTION**, take the rifle "Off Safe", and pull the trigger. This will pierce the CO₂ cartridge and rifle will be fully charged. If not, repeat cocking and firing the rifle until it expels CO₂.

⚠ CAUTION: BE SURE THE RIFLE IS UNLOADED WHEN RELEASE CO₂ CHARGE. IF A PELLET IS LEFT IN THE BARREL AND CYLINDER IS INSERTED AND PIERCED BY COCKING AND PULL TRIGGER, THE PELLET WILL BE EXPELLED. ALWAYS POINT RIFLE IN A SAFE DIRECTION WHEN CHARGING.

⚠ CAUTION: WE RECOMMEND THE USE OF SHERIDAN CO RIDGES. THEY ARE MADE TO FIT THE F9 SERIES, MODEL G; MODEL G392 RIFLES. OTHER BRANDS OF CO₂ CARTRIDGES WILL NOT FIT PROPERLY AND IF YOU FORCE THEM INTO PLACE IT MAY IN INJURY TO YOU OR DAMAGE TO YOUR RIFLE. NEVER FORCE ANY CO₂ CARTRIDGE INTO PLACE.

⚠ WARNING: CO₂ CYLINDERS MAY EXPLODE AT TEMPERATURE ABOVE 120°F. DO NOT MUTILATE OR INCINERATE THEM. EXPOSE THEM TO HEAT OR STORE THEM AT TEMPERATURES 120°F.

Step 4. Loading and Unloading Pellets

⚠ CAUTION: USE .20 CALIBER PELLETS ONLY IN YOUR F9 SERIES RIFLE. USE .177 CALIBER PELLETS ONLY IN YOUR MODEL G397 RIFLE. USE .22 CALIBER PELLETS ONLY IN YOUR MODEL G392 RIFLE. USE OF ANY OTHER AMMUNITION CAN CAUSE INJURY TO YOU OR DAMAGE TO YOUR RIFLE.

A. Loading Pellets

- Put rifle "On Safe". (Step 2).
- Point rifle in a SAFE DIRECTION.
- Pull bolt back all the way. (Step 2).
- Place one pellet, nose forward, in the loading port (breach) (Fig. 4).
- Lightly push the pellet into the barrel by closing and locking the bolt. DO NOT jam the bolt forward. This will damage your rifle.
- Be sure bolt is closed before firing. If it is not closed and fully locked, the pellet may not be discharged.

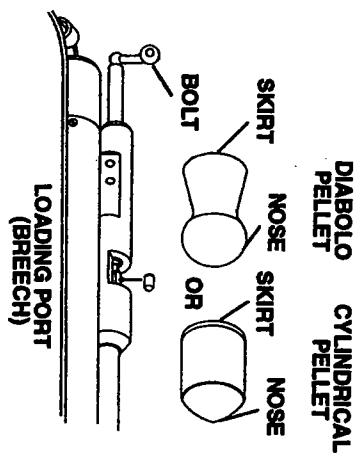


FIG. 4

B. Unloading Pellets

- Aim the rifle in a SAFE DIRECTION, take it "Off Safe" and fire.
- Another way of unloading your rifle is to follow the directions listed under Removing a Jammed Pellet.

Step 5. Aiming and Firing Safely

A. Aiming the Rifle

- Always aim your rifle in a SAFE DIRECTION. When you are sure of your target and backstop, and the area around the target is clear, take the rifle "Off Safe" and squeeze the trigger to fire.
- Don't shoot at hard surfaces or at the surface of water. The pellet may bounce off and hit someone or something you had not intended to hit.
- The rifle is correctly aimed when the front sight blade is positioned exactly in the notch of the rear sight. The top of the front sight blade should be even with the top of the notch in the rear sight. The bulls-eye should appear to rest on the top of the front sight. (Fig. 5).

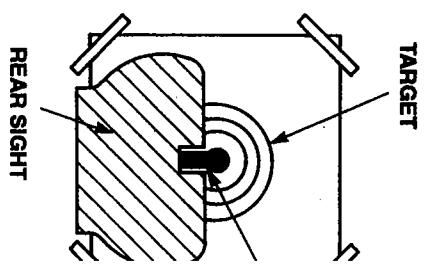


FIG. 5

B. Sight Adjustment- Open Sights

- The rear sight may be adjusted to shoot higher or lower (elevation). Turn the elevation screw clockwise to make the pellet hit higher on the target. Turn the elevation screw counterclockwise to make the pellet hit lower on the target (Fig. 6).
- The rear sight may also be adjusted to shoot right or left (windage). To make the pellet hit further to the left on the target, loosen the windage screw on the right side of the sight. To make the pellet hit further to the right on the target, loosen the windage screw on the left side of the sight and tighten the windage screw on the right side of the sight. (Fig. 6).

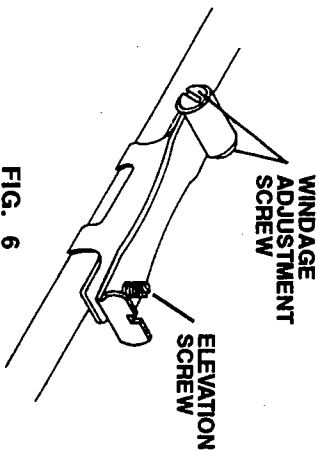


FIG. 6

Step 6. Removing a Jammed Pellet

- Don't reload.
- Put rifle "On Safe". (Step 2).
- With bolt in the open position, insert a cleaning rod (cleaning rods can be ordered from factory) into the muzzle end of the barrel and gently push the pellet into the pellet loading port (forward of the bolt). (Fig. 7). Don't try to force the pellet again.
- If for some reason you are unable to unjam your rifle, return it to the dealer and we will unjam it for you free of charge during the warranty period.

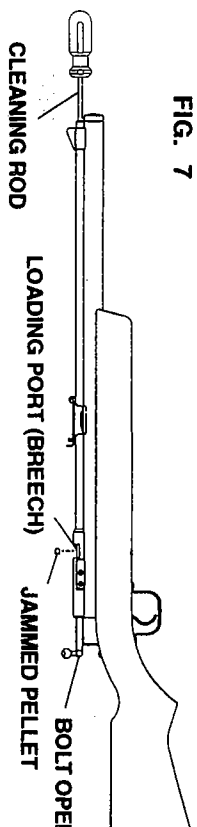


FIG. 7

Step 7. Maintaining Your Air Rifle

TROUBLE SHOOTING GUIDE

PROBLEMS	REASONS												
	Safety in "On" position	CO ₂ cylinder low or empty	Barrel plugged	CO ₂ cylinder not fully pierced	Extreme high or low temperatures	Defective or improper ammunition	Ammunition not in load position	Gun fired beyond recommended number of shots	Barrel damaged	Gun not cocked	Bolt in open position	Loading more than one pellet	Sights not adjusted
INACCURACY		●		●	●						●		●
GUN FAILS TO SHOOT		●	●	●		●	●	●		●			
LOW POWER		●		●	●		●				●		
BARREL PLUGGED		●		●	●		●				●		
GUN LEAKS				●									

- When lubricating your rifle, use our #088 Lubricating Oil (available for o factory). DO NOT use gun oil or any other oil which contains solvents.
- Both the barrel and tube are made of a rust resistant, hard, non-ferrous require no special treatment. Other external metal surfaces should be wiped lightly oiled cloth after each use.
- If the accuracy of your rifle falls off, run a firm but free fitting patch through it Be sure to use a cleaning rod of the proper size that will not damage the barrel.
- Tampering with the gun or attempts to change the gun in any way may make to use. If you drop your gun, check it to see that it works properly before) again. If anything seems changed, like a shorter or weaker trigger pull, mean worn out or broken parts. Don't use it again until you've had it check service department or an authorized service station.

Step 8. Reviewing Safety

- Don't point at anything you don't intend to shoot. Always aim in a SAFE DIRECTION.
- Always wear shooting glasses to protect your eyes.
- Keep hands away from escaping CO₂ gas. It can cause frostbite if allowed to come in contact with skin.
- Use .20 cal. pellets only in your F9 Series. Use .177 cal. pellets only in your Model G397. Use .22 cal. pellets only in your Model G392. Never reuse ammunition.
- Don't shoot at hard surfaces or at the surface of water. The pellet may bounce off and hit someone or something you had not intended to hit.
- Always keep the rifle "On Safe" until you are ready to shoot.
- Stop using a backstop if it becomes worn. Place backstop in a location that will be safe should the backstop fail.
- Do not attempt to disassemble or tamper with your rifle. Use a competent repairman.
- Always handle your rifle as though it were loaded.
- Always check to see if the rifle is "On Safe" and unloaded when getting it from another person or from storage.
- Don't put rifle away loaded or charged with CO₂.

Step 9. Choosing Targets

- Always choose your targets carefully. It is best to shoot at bullseye targets attached to a safe backstop such as the 850 Target Trap. (Target Trap ordered directly from the factory). A heavy blanket should be hung behind the Trap to prevent ricochet or pellets bouncing off should you miss the target.
- Always wear shooting glasses to protect your eyes.
- Don't shoot at hard surfaces or at the surface of water. The pellet may bounce and hit someone or something you had not intended to hit.
- Your backstop should be checked before and after each use. Stop using a backstop if the surface is worn or damaged or if the pellet bounces off or ricochets.
- Your rifle is designed for target shooting and is suited for both indoor and outdoor use. Always remember to place your target carefully. Think what you will hit if your target!