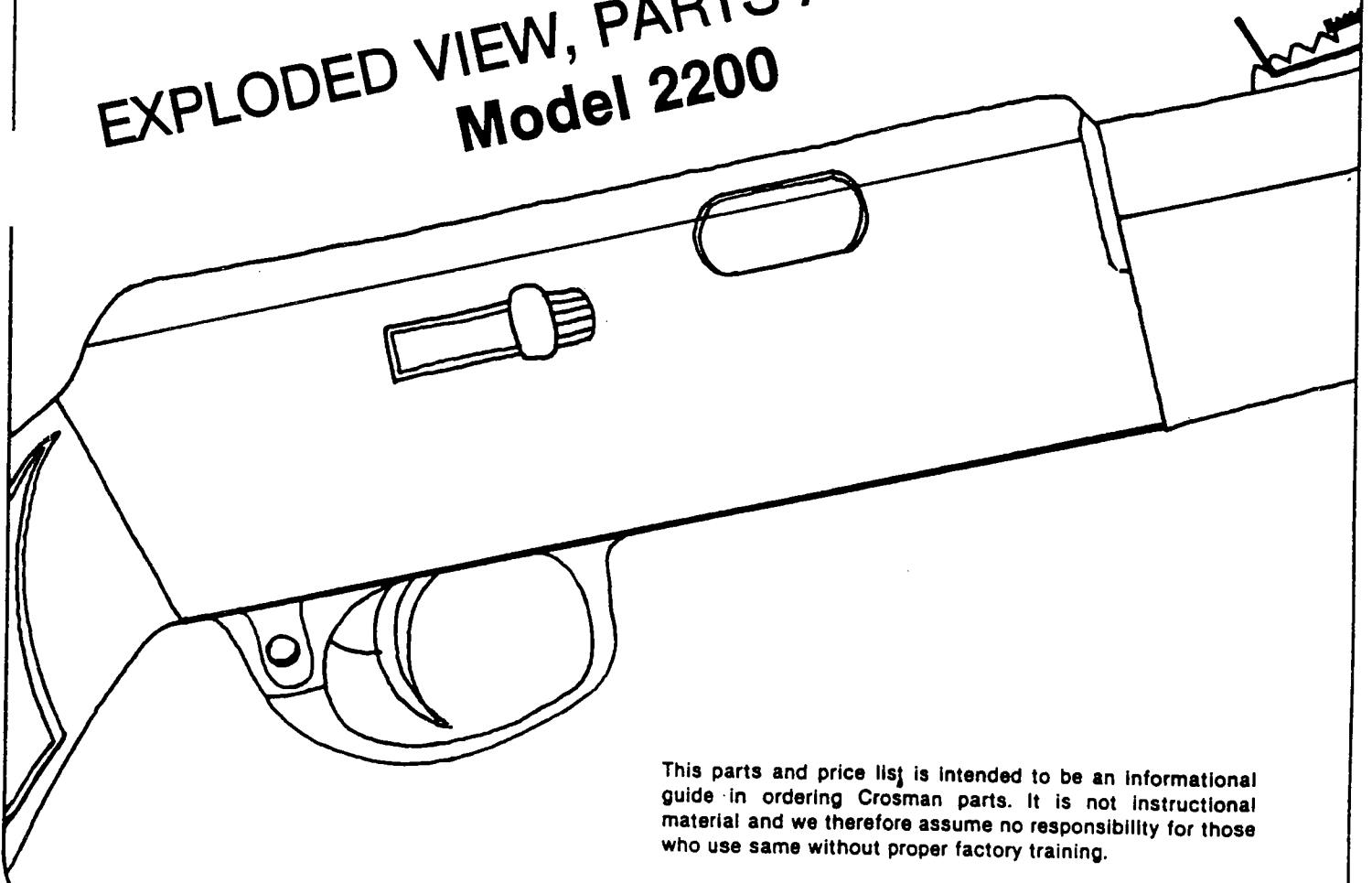


EXPLODED VIEW, PARTS AND PRICE LIST Model 2200



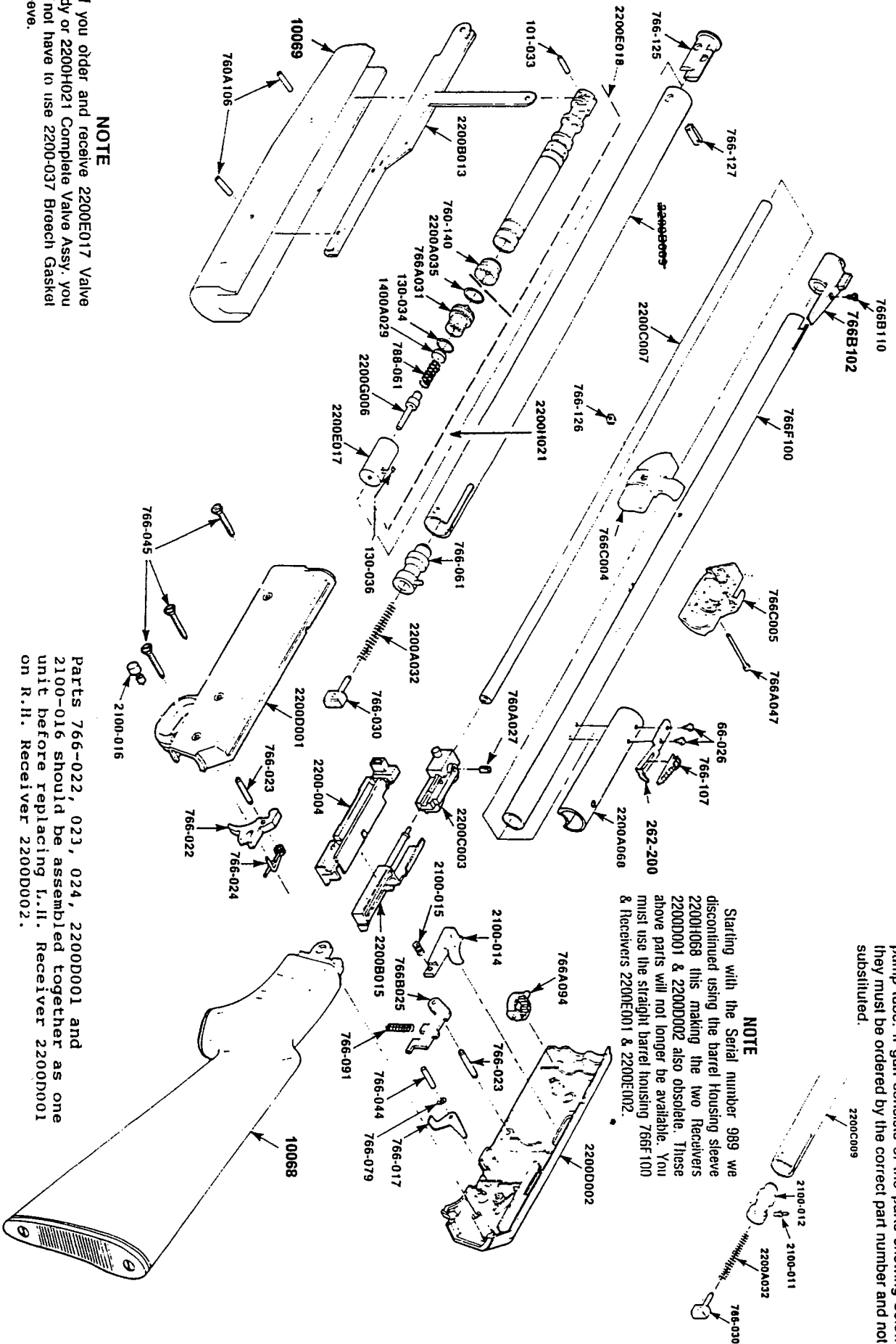
This parts and price list is intended to be an informational guide in ordering Crosman parts. It is not instructional material and we therefore assume no responsibility for those who use same without proper factory training.

Model 2200 (Figure 1)

starting with serial number 283

NEW

Starting with Serial #387 - Two piece hammer & new pump tube. If gun consists of the parts showing below they must be ordered by the correct part number and not substituted.



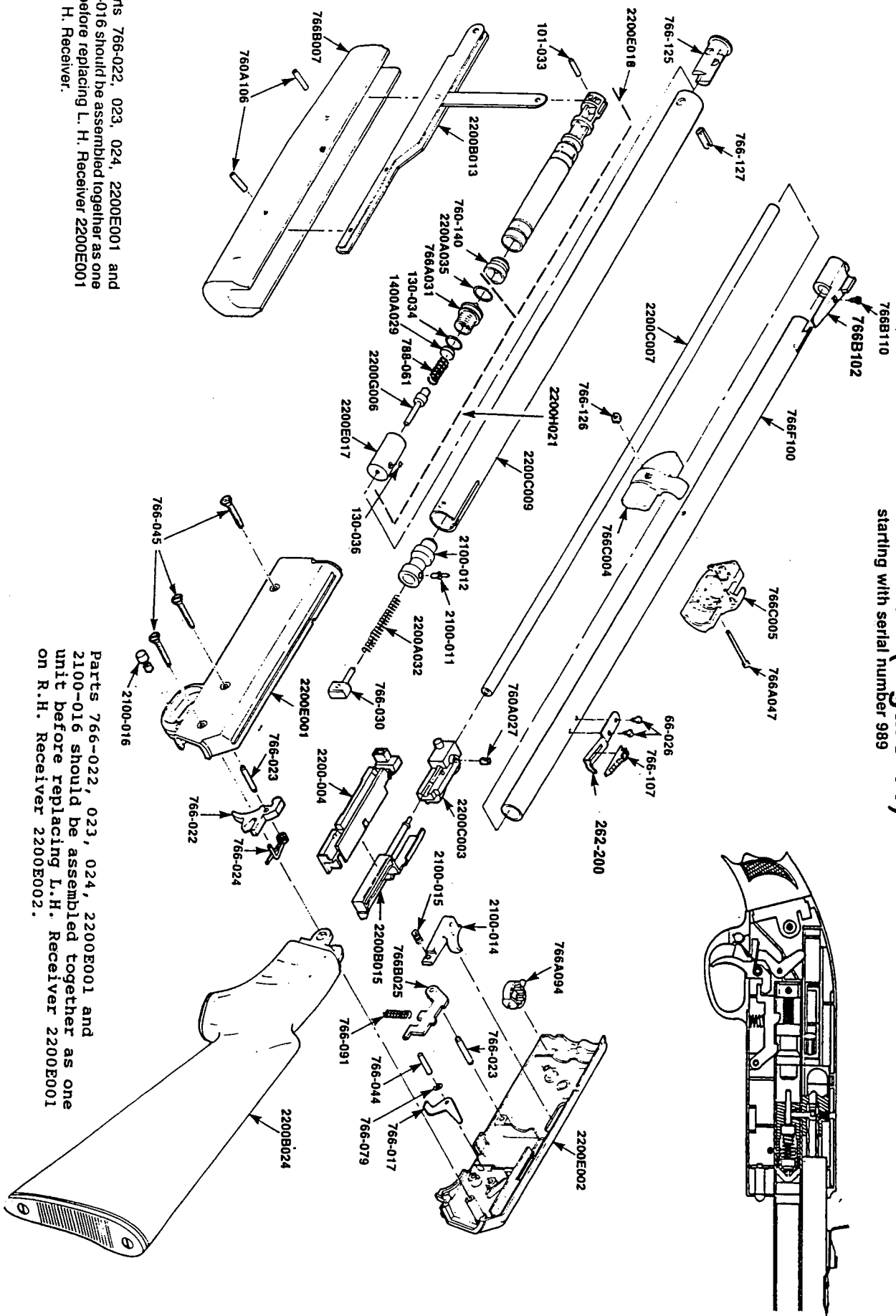
NOTE
Starting with the Serial number 989 we discontinued using the barrel housing sleeve 2200I068 this making the two Receivers 2200D001 & 2200D002 also obsolete. These above parts will not longer be available. You must use the straight barrel housing 766F100 & Receivers 2200E001 & 2200E002.

NOTE
If you order and receive 2200E017 Valve Body or 2200H021 Complete Valve Assy, you do not have to use 2200-037 Breach Gasket Sleeve.

Parts 766-022, 023, 024, 2200D001 and 2100-016 should be assembled together as one unit before replacing I.I.I. Receiver 2200D001 on R.H. Receiver 2200D002.

Model 2200A (Figure 11)

starting with serial number 989



Parts 766-022, 023, 024, 2200E001 and 2100-016 should be assembled together as one unit before replacing L. H. Receiver 2200E001 on R. H. Receiver.

Parts 766-022, 023, 024, 2200E001 and 2100-016 should be assembled together as one unit before replacing L. H. Receiver 2200E001 on R.H. Receiver 2200E002.