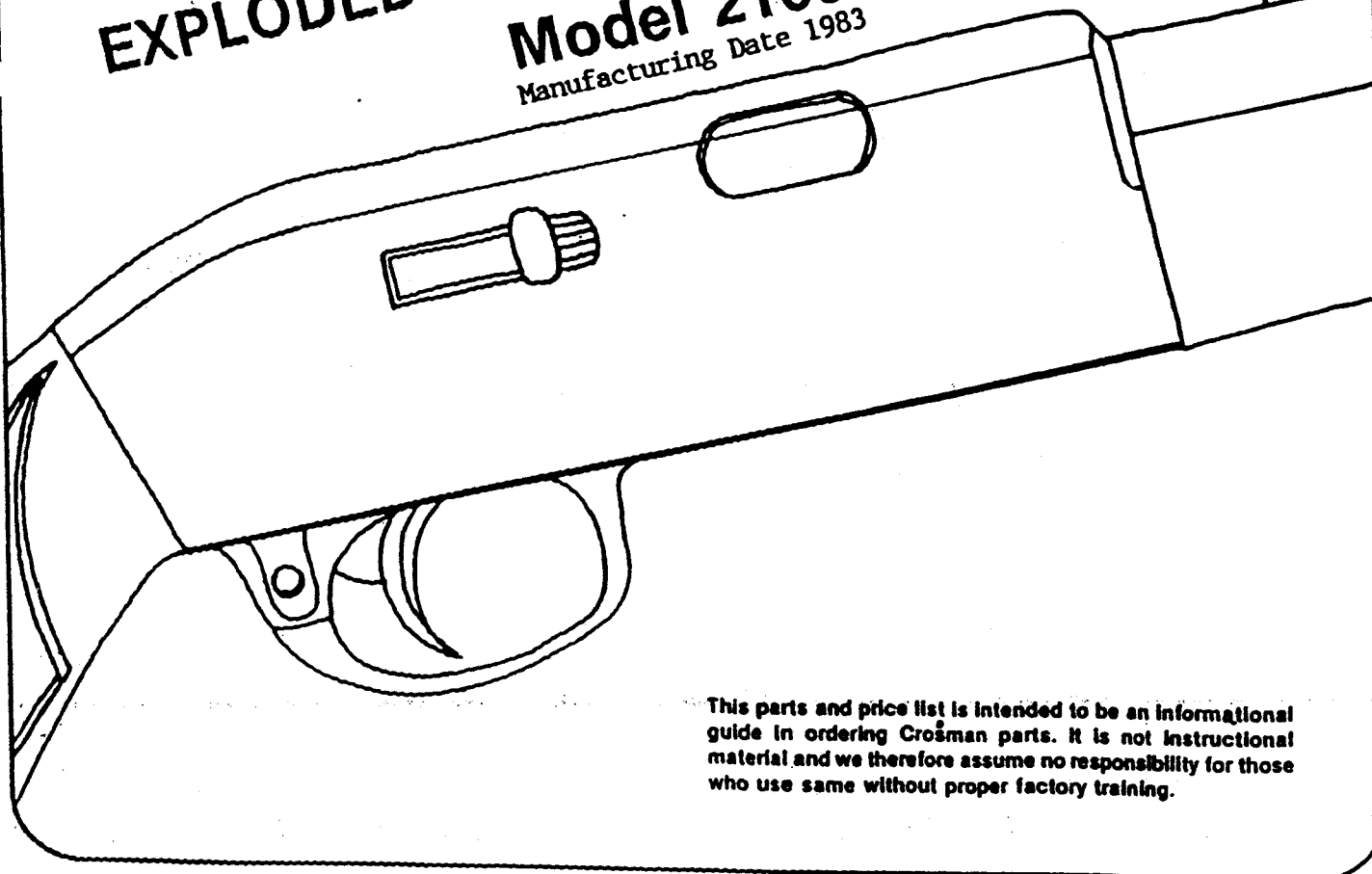




# EXPLODED VIEW, PARTS AND PRICE LIST

Model 2100 *W*  
Manufacturing Date 1983



This parts and price list is intended to be an informational guide in ordering Crosman parts. It is not instructional material and we therefore assume no responsibility for those who use same without proper factory training.

# PARTS & PRICE LIST: MODEL 2100 & 2100SB

PART NO.	QTY	PART NAME	PRICE	PART NO.	QTY	PART NAME	PRICE
2100-025 10089	1	STOCK ASSEMBLY	\$ 10.31	766A094	1	FOREARM DETENT	\$ 0.50
2100-026 66-026	1	FOREARM	\$ 5.04	7688025	1	SEAR	\$ 0.59
101-933	2	REAR SIGHT SCREW	\$ 0.50	7688102	1	FRONT SIGHT	\$ 0.50
130-034	1	GUID PIN	\$ 0.50	768B110	1	FRONT SIGHT SCREW	\$ 0.50
130-036	1	O-RING	\$ 0.50	766C004	1	BARREL BAND, L.H.	\$ 0.50
262-200	1	BREECH GASKET	\$ 0.50	766C005	1	BARREL BAND, R.H.	\$ 0.50
760-140	1	REAR SIGHT	\$ 0.50	766C101	1	BARREL	\$ 5.28
760A027	1	PUMP CUP	\$ 0.50	766F100	1	BARREL HOUSING	\$ 4.81
780A106	1	BARREL SET SCREW	\$ 0.50	788-081	1	CHECK VALVE SPRING	\$ 0.50
766-017	2	PIN	\$ 0.50	1400A029	1	CHECK VALVE	\$ 0.50
766-019	1	INTERLOCK	\$ 0.50	2100-005	1	BARREL SUPPORT	\$ 1.50
766-021	1	DETENT	\$ 0.50	2100-011	1	HAMMER PIN	\$ 0.50
766-022	1	BB PUSHER	\$ 0.50	2100-012	1	HAMMER	\$ 1.28
766-023	1	TRIGGER	\$ 1.19	2100-014	1	BOLT KNOB	\$ 0.50
766-024	1	TRIGGER PIVOT PIN	\$ 0.50	2100-015	1	BOLT SPRING	\$ 0.50
766-030	1	TRIGGER SPRING	\$ 0.50	2100-016	1	SAFETY	\$ 0.99
766A031	1	TUBE PLUG	\$ 0.50	2100A001	1	RECEIVER L.H.	\$ 7.32
766-041	1	CHECK VALVE BODY	\$ 0.90	2100A002	1	RECEIVER R.H.	\$ 8.75
766-044	1	FEED SPRING	\$ 0.50	2100A018	1	BOLT ASSEMBLY	\$ 1.88
766-045	1	INTERLOCK PIVOT PIN	\$ 0.50	2100SB-001	1	BOLT ASSEMBLY	\$ 6.02
766-081	3	RECEIVER SCREW	\$ 0.50	2100SB-003	1	SILVER BARREL HOUSING	\$ 5.00
766-078	1	HAMMER ASSEMBLY	\$ 0.50	2100SB-005	1	BLACK FOREARM	\$ 11.70
766-091	1	WASHER	\$ 0.50	2200A032	1	BLACK STOCK ASS'Y	\$ 0.50
766-107	1	SEAR SPRING	\$ 0.50	2200A035	1	HAMMER SPRING	\$ 0.50
766-113	1	ELEVATOR	\$ 0.50	<del>2200B009</del>	1	O-RING	\$ 3.79
766-125	1	MAGAZINE	\$ 1.08	2200B013	1	PUMP TUBE	\$ 4.73
766-126	1	PUMP GUIDE STOP	\$ 0.50	2200C009	1	LEVER/LINK ASSEMBLY	\$ 4.99
766-127	1	BARREL BAND NUT	\$ 0.50	2200E017	1	PUMP TUBE	\$ 1.34
766A011	1	LEVER PIVOT PIN	\$ 0.50	2200F018	1	VALVE BODY	\$ 3.85
766A020	1	GRIP CAP	\$ 0.50	2200G006	1	PUMP ROD	\$ 1.28
766A047	1	DETENT SPRING	\$ 0.50	2200H021	1	VALVE STEM ASS'Y	\$ 5.14
11645	1	BARREL BAND SCREW	\$ 0.50	11657	1	VALVE ASSEMBLY	\$ 5.14
	1	Forearm - Wood	\$ 23.42	11743	1	Seam - Stock Work	\$ 9.99

PRICES SUBJECT TO CHANGE WITHOUT NOTICE  
 FACTORY ASSEMBLY ONLY  
 PLEASE ORDER BY PART NUMBER AND PART DESCRIPTION. CHECK OR MONEY ORDER  
 FOR THE TOTAL PURCHASE MUST ACCOMPANY THE PARTS ORDER.

11365 - LH receiver (Wood) - \$ 7.34  
 11366 - RH receiver (Wood) \$ 9.44  
 11734 - Stock nut assy. \$ 2.98

1996 PRICE LIST

Figure I

Make sure to first check serial number on gun, this will be helpful in ordering the correct parts.

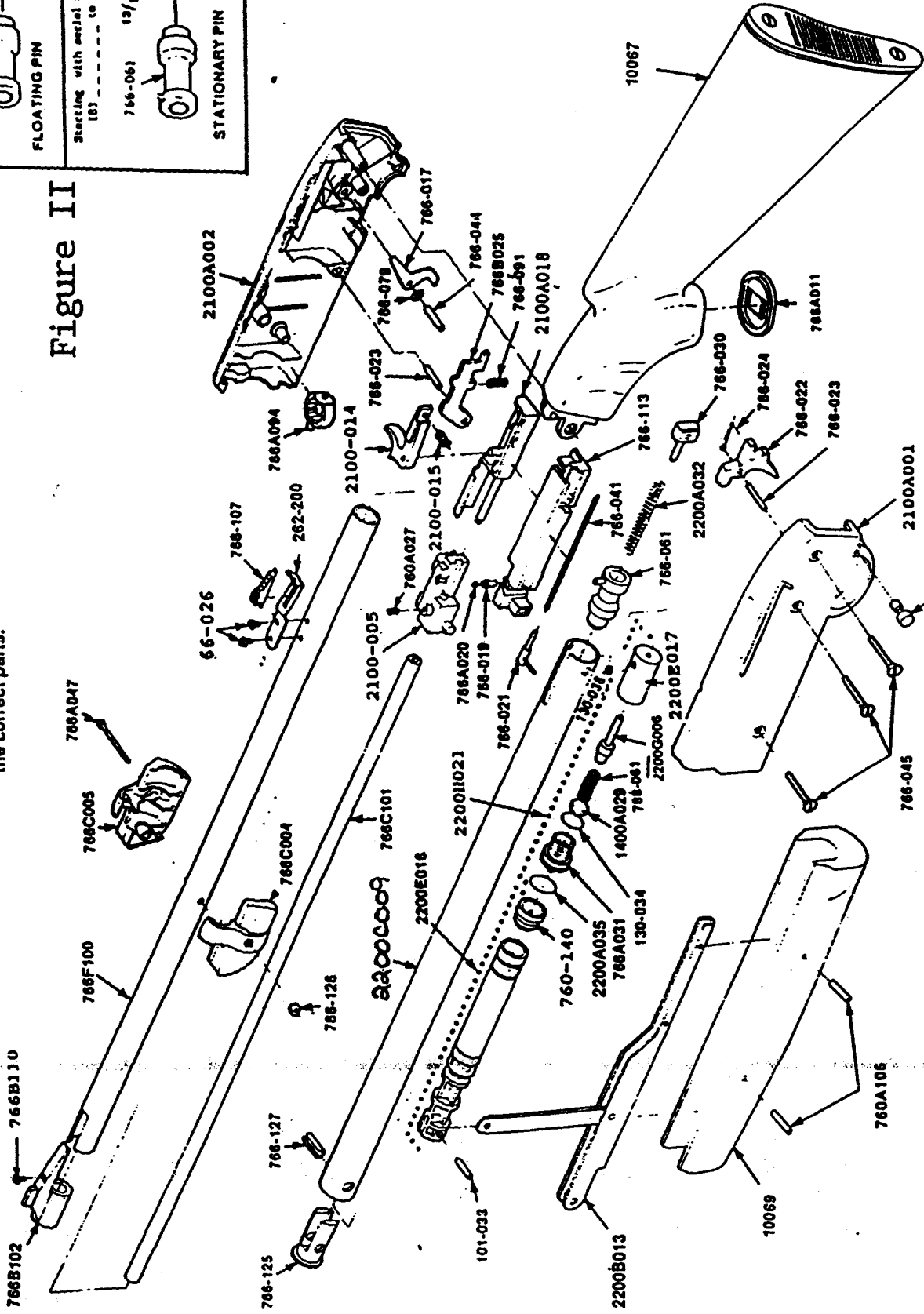
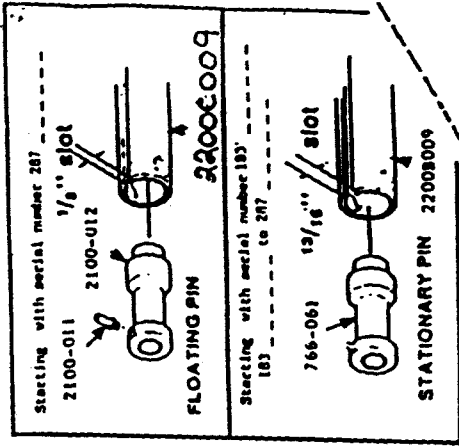
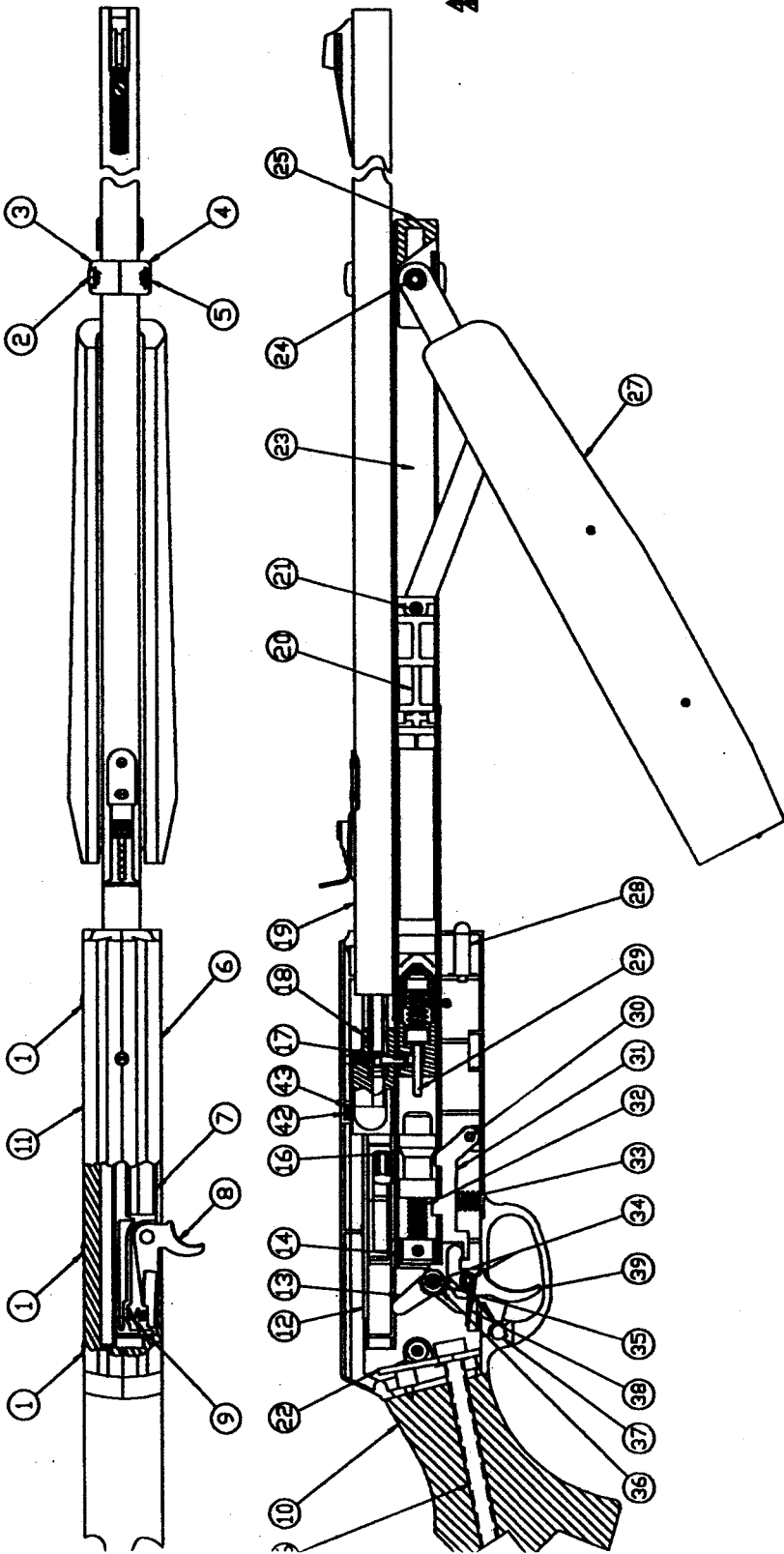


Figure II



Note:  
If you order and receive 2200E017 Valve Body or 2200H021 Complete Valve Assembly, you do not have to use 2200-037 Breech Gasket Sleeve.

Parts 766-022, 023, 024, 2100A001 and 2100-016 should be assembled together as one unit before replacing l.i.l. Receiver 2100A002 on R.I.I. Receiver 2100A002.



NOT SHOWN: (40) (41) (44)

# 2100W (2100 WITH WALNUT STOCK)

11640

REV	DATE	DESCRIPTION
1	11/15/63	REVISED TO SHOW NEW DESIGN
2	11/15/63	REVISED TO SHOW NEW DESIGN
3	11/15/63	REVISED TO SHOW NEW DESIGN
4	11/15/63	REVISED TO SHOW NEW DESIGN
5	11/15/63	REVISED TO SHOW NEW DESIGN
6	11/15/63	REVISED TO SHOW NEW DESIGN
7	11/15/63	REVISED TO SHOW NEW DESIGN
8	11/15/63	REVISED TO SHOW NEW DESIGN
9	11/15/63	REVISED TO SHOW NEW DESIGN
10	11/15/63	REVISED TO SHOW NEW DESIGN

ITEM NO.	DESCRIPTION	QUANTITY	UNIT	REVISION
1	FOREND	1	EA	
2	FOREND CAP	1	EA	
3	FOREND CAP SCREW	1	EA	
4	FOREND CAP NUT	1	EA	
5	FOREND CAP WASHER	1	EA	
6	FOREND CAP SEAL	1	EA	
7	FOREND CAP GASKET	1	EA	
8	FOREND CAP O-RING	1	EA	
9	FOREND CAP SPRING	1	EA	
10	FOREND CAP LOCK	1	EA	
11	FOREND CAP PIN	1	EA	
12	FOREND CAP BUSHING	1	EA	
13	FOREND CAP SLEEVE	1	EA	
14	FOREND CAP NUT	1	EA	
15	FOREND CAP SPRING	1	EA	
16	FOREND CAP LOCK	1	EA	
17	FOREND CAP PIN	1	EA	
18	FOREND CAP BUSHING	1	EA	
19	FOREND CAP SLEEVE	1	EA	
20	FOREND CAP NUT	1	EA	
21	FOREND CAP SPRING	1	EA	
22	FOREND CAP LOCK	1	EA	
23	FOREND CAP PIN	1	EA	
24	FOREND CAP BUSHING	1	EA	
25	FOREND CAP SLEEVE	1	EA	
26	RECEIVER	1	EA	
27	RECEIVER CAP	1	EA	
28	RECEIVER CAP SCREW	1	EA	
29	RECEIVER CAP NUT	1	EA	
30	RECEIVER CAP WASHER	1	EA	
31	RECEIVER CAP SEAL	1	EA	
32	RECEIVER CAP GASKET	1	EA	
33	RECEIVER CAP O-RING	1	EA	
34	RECEIVER CAP SPRING	1	EA	
35	RECEIVER CAP LOCK	1	EA	
36	RECEIVER CAP PIN	1	EA	
37	RECEIVER CAP BUSHING	1	EA	
38	RECEIVER CAP SLEEVE	1	EA	
39	RECEIVER CAP NUT	1	EA	
40	RECEIVER CAP SPRING	1	EA	
41	RECEIVER CAP LOCK	1	EA	
42	RECEIVER CAP PIN	1	EA	
43	RECEIVER CAP BUSHING	1	EA	
44	RECEIVER CAP SLEEVE	1	EA	

ITEMITY PARTS NO. DESCRIPTION  
 CROSSMAN CORPORATION  
 175 S. 5th St.  
 C. RIDGECREAST, NY 14448  
 MADE IN U.S.A.  
 PART GENERAL ASSY  
 11/15/63  
 11640