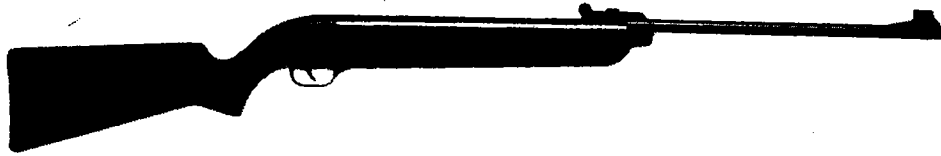




**Model 795 Springmaster™ .177 Caliber Spring Air Pellet Rifle  
OWNER'S MANUAL**

**MANUAL DEL PROPIETARIO DEL FUSIL DE AIRE COMPRIMIDO Y MUELLE,  
CALIBRE 0,177 SPRINGMASTERTM MODELO 795 CROSMAN**



**READ ALL INSTRUCTIONS AND WARNINGS BEFORE USING THIS AIR GUN.  
LEA TODAS LAS INSTRUCCIONES Y ADVERTENCIAS EN ESTE MANUAL  
ANTES DE USAR ESTE RIFLE DE AIRE.**

10809

**CONGRATULATIONS**

Thank you for purchasing the Crosman Model 795 Springmaster™ .177 caliber spring air pellet rifle.

Please read this owner's manual completely. And remember, the Model 795 is not a toy. Treat it with the same respect you would a firearm. Always carefully follow the safety instructions found in this owner's manual and keep this manual in a safe place for future use.

If you have any questions concerning your new rifle, please contact us.

Sincerely,  
Crosman Corporation  
Routes 5 & 20  
East Bloomfield, NY 14443



**WARNING: NOT A TOY. ADULT SUPERVISION REQUIRED. MISUSE OR CARELESS USE MAY CAUSE SERIOUS INJURY OR DEATH. MAY BE DANGEROUS UP TO 475 YARDS (435 METERS).**

**READ ALL INSTRUCTIONS BEFORE USING.**

**BUYER AND USER HAVE THE DUTY TO OBEY ALL LAWS ABOUT THE USE AND OWNERSHIP OF THIS AIRGUN.**

THIS AIRGUN IS INTENDED FOR USE BY THOSE 16 YEARS OF AGE OR OLDER.

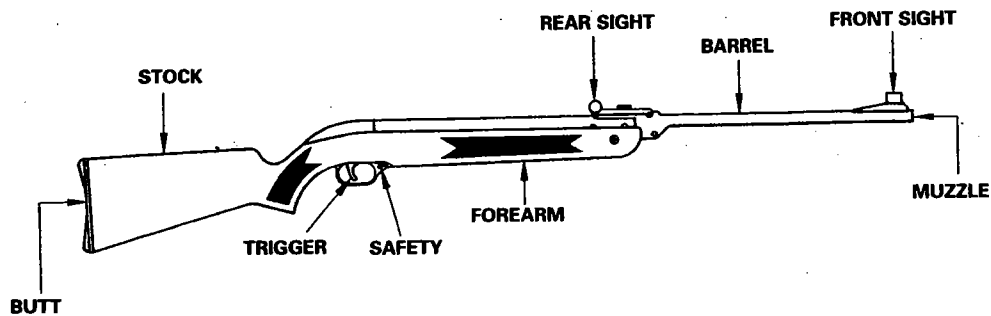
4

## STEPS FOR SAFE SHOOTING

	Page
Step 1. Learning The Parts Of Your Rifle.....	8
Step 2. Operating The Safety .....	10
Step 3. Cocking Your Rifle.....	12
Step 4. Loading And Unloading Your Rifle .....	14
Step 5. Aiming and Firing Safely .....	18
Step 6. Removing a Jammed Pellet .....	22
Step 7. Maintaining Your Rifle .....	24
Step 8. Reviewing Safety .....	26

6

## Step 1. Learning The Parts Of Your Rifle



## Step 2. Operating The Safety.

- A. To put the rifle "On Safe," locate the safety in front of the trigger. Push the safety from the left side all the way in (Fig. 1). The safety is not on unless it is pushed all the way in and the red line around the safety is not showing. The rifle will not fire when "on safe."
- B. Even when the safety is on you should continue to handle the rifle safely. Don't point the gun at anything you don't intend to shoot.
- C. To take the rifle "off safe," push the safety from the right side all the way in. When you can see the red line around the safety, the rifle is "off safe" and will fire.

**⚠ WARNING: KEEP THE RIFLE "ON SAFE" UNTIL YOU ARE ACTUALLY READY TO SHOOT. THEN PUSH IT TO "OFF SAFE."**

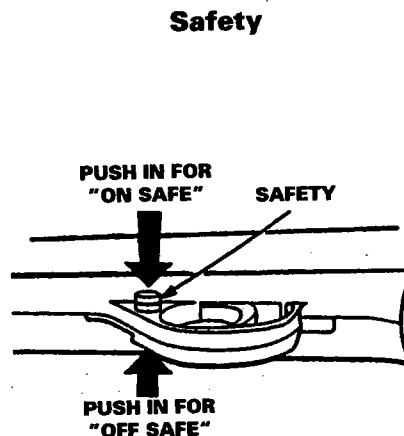


Fig. 1

### Step 3. Cocking Your Rifle

- Put the rifle "on safe" (Step 2).
- Brace the butt of the rifle against your leg.
- Grasp the rifle by the pistol grip with one hand and place your other hand around the barrel (Fig. 2).

**⚠ WARNING: MAKE SURE YOU DO NOT TOUCH THE TRIGGER OR PUSH THE SAFETY TO THE "OFF SAFE" POSITION**

- Pull the barrel downward to the stop. Do not pull past this point and do not use excessive force or speed when cocking your rifle.

**⚠ WARNING: MAKE SURE YOU DO NOT PULL TRIGGER WHILE COCKING THE RIFLE OR WITH THE BARREL IN THE DOWN POSITION. THIS MAY CAUSE SERIOUS DAMAGE TO THE RIFLE.**

- Be careful not to pinch hand or fingers in the hinge area of the rifle.

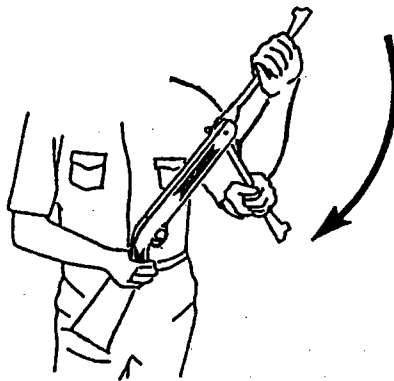


Fig. 2

12

### Step 4. Loading and Unloading Your Rifle.

#### A. Loading Your Rifle

**⚠ CAUTION: DO NOT FIRE YOUR RIFLE WITHOUT A PELLET IN THE CHAMBER (DRY FIRE). THIS MAY PERMANENTLY DAMAGE YOUR RIFLE.**

- With the barrel in the open position, place one .177 caliber pellet, nose forward, into the breech. (Fig. 3). Make sure that the skirt of the pellet is flush with face of breech.
- Move the barrel back to its original position by pushing the barrel up until it locks. Once again, be careful not to pinch your hands or fingers. (Fig. 4).

**⚠ WARNING: YOUR RIFLE IS NOW LOADED AND READY TO FIRE. KEEP THE RIFLE "ON SAFE" UNTIL YOU ARE READY TO SHOOT. DON'T POINT AT ANYTHING YOU DON'T INTEND TO SHOOT.**

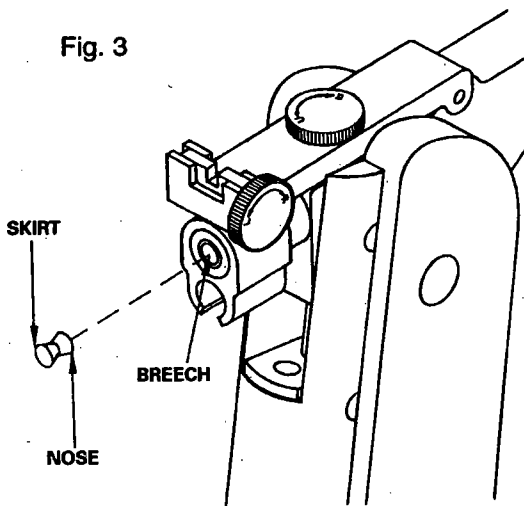


Fig. 3

14

## B. Unloading Your Rifle

Once you have loaded your rifle, the easiest way to unload it is to point it in a **SAFE DIRECTION** and fire it. **REMEMBER**, choose your targets carefully (see Step 5) and be sure that the area around the target is clear. **THINK** what you will hit if you miss the target! If you cannot safely unload your rifle by firing it, see Step 6.

**⚠ CAUTION:** USE .177 CALIBER PELLETS ONLY. NEVER REUSE AMMUNITION. USE OF ANY OTHER AMMUNITION CAN CAUSE INJURY TO YOU OR DAMAGE TO THE RIFLE.

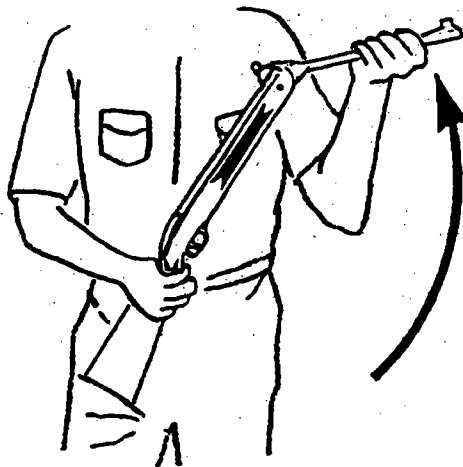


Fig. 4

## Step 5. Aiming And Firing Safely

### A. Aiming The Rifle

- Always aim your rifle in a **SAFE DIRECTION**. When you are sure of your target and backstop and the area around the target is clear, take the rifle "off safe" and squeeze the trigger to fire.
- Don't shoot at hard surfaces or at the surface of water. The pellet may bounce off and hit someone or something you had not intended to hit.
- Always choose your targets carefully. It is best to shoot at paper bullseye targets which are attached to a safe backstop such as the 850 Target Trap. (Target Trap can be ordered directly from the factory.) A heavy blanket should be hung behind the Target Trap to prevent ricochet or pellets bouncing off should you miss the

backstop. If you cannot safely unload your rifle by firing it, see Step 6. You and your shooting companion should always wear shooting glasses to protect your eyes.

- Your backstop should be checked for wear before and after each use. Stop using any backstop if the surface is worn or damaged or if the pellet bounces off or ricochets.
- Your rifle is designed for target shooting and is suited for both indoor and outdoor use. Always remember to place your target carefully. **THINK** what you will hit if you miss the target.

## B. Sight Adjustment

- Elevation is set by means of the rear sight elevating dial situated on the rear sight base. Turn the dial counterclockwise to make the pellet hit higher on the target and turn the dial clockwise to make the pellet hit lower on the target. (Fig. 5).
- Windage is set by turning the windage dial located on the right side of the sight. Turn the dial counterclockwise to make the pellet hit to the left on the target and turn the dial clockwise to make the pellet hit to the right on the target. (Fig. 5).

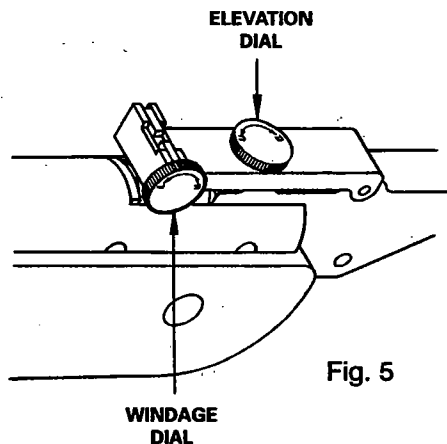


Fig. 5

20

## Step 6. Removing a Jammed Pellet

- Don't reload
- Cock the rifle, point the rifle in a safe direction and fire it.
- Put the rifle "On Safe." (Step 2).
- Break the barrel open slightly (without pulling the barrel all the way down to the point that it cocks the action) and look down the breech to see if the gun is jammed.
- If it is jammed, insert a cleaning rod into the breech and push the jammed pellet out of the muzzle. Don't try to reuse that pellet (Fig. 6).

**⚠ CAUTION: DO NOT COCK THE RIFLE DURING THE REMOVAL OF A JAMMED PELLET UNLESS YOU PLAN ON CONTINUING TO SHOOT.**

- Remember, do not fire your rifle without a pellet in the chamber (dry fire). This may permanently damage your rifle.
- Do not leave the rifle cocked over an extended period of time. This will weaken the main spring and cause damage to your airgun.

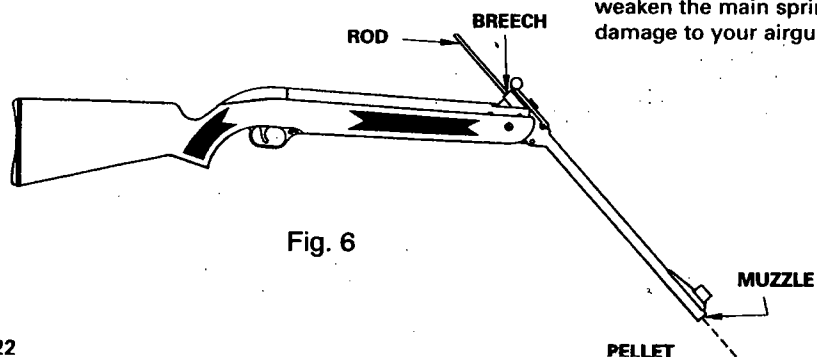


Fig. 6

22

### Step 7. Maintaining Your Rifle

To ensure that your rifle maintains uniform power, it is important that you apply a drop of Crosman Pellgunoil® every few hundred shots through the air channel into the compression chamber. Also apply a drop of Pellgunoil® on each end of the spring pins (Fig. 7). The external parts should be cleaned with a cloth that has Pellgunoil® on it.

**⚠ CAUTION: DO NOT ATTEMPT TO DISASSEMBLE YOUR AIRGUN.** Take it to your nearest authorized Service Station.

Tampering with the gun or attempts to change the gun in any way may make it unsafe to use. Any change in performance, such as lowered trigger force or shortened trigger travel, indicates possible wear or broken parts. Don't use the rifle again until you've had it checked by a Crosman Service Station. Check your rifle if it has been dropped to ensure that its function has not been affected.

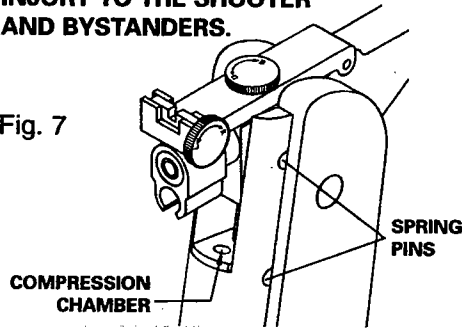
24

**⚠ CAUTION: DO NOT SHOOT WITHOUT A PELLET IN THE CHAMBER (DRY FIRE). THIS MAY PERMANENTLY DAMAGE YOUR RIFLE.**

Do not leave the rifle cocked over an extended period of time. This will weaken the main spring and cause damage to your airgun.

**⚠ CAUTION: USE PELLGUNOIL® ONLY AND DO NOT OVER OIL. TO DO SO CAN CAUSE POSSIBLE DAMAGE TO THE GUN AND INJURY TO THE SHOOTER AND BYSTANDERS.**


Fig. 7



### Step 8. Reviewing Safety

- Don't point at anything you don't intend to shoot. Always aim in a SAFE DIRECTION.
- Always keep your rifle "On Safe" until you are ready to shoot.
- Always wear shooting glasses to protect your eyes.
- Don't pinch hands or fingers when opening or closing barrel.
- Use .177 caliber pellets only. Never reuse ammunition.
- Don't shoot at hard surfaces or at the surface of water. The pellet may bounce off or ricochet and hit someone or something you had not intended to hit.
- Stop using a backstop if it becomes worn. Place backstop in a location that will be safe should the backstop fail.
- Do not attempt to disassemble or tamper with your rifle. Use an authorized Crosman Service Station.
- Always handle your rifle as though it were loaded.
- Always check to see if the rifle is unloaded when getting it from another person or from storage.
- Don't put rifle away loaded. (Step 4).
- Any change in performance indicates possible wear or broken parts. Don't use the rifle again until it has been checked by a competent repairman.

## SPECIFICATIONS

Mechanism: Spring Air  
Caliber: .177 caliber  
Ammunition: .177 cal. (4.5 mm) Lead Airgun Pellet   
Weight: 4 lbs. 6 oz. (2 Kg)  
Overall Length: 42 inches (106.7 cm)  
Sights: Front: Hooded Post  
Rear: Fully Adjustable for Windage and Elevation  
Barrel: Rifled Steel  
Velocity: Up to 600 f.p.s.

Performance: Many factors affect velocity including brand of projectile, oiling of gun, barrel condition and temperature.

## REPAIR SERVICE

If your rifle needs repair, we recommend you take or send it to your nearest Crosman Authorized Service Center (list of service centers in box with gun). **DO NOT ATTEMPT TO DISASSEMBLE IT!** Your gun requires special tools and fixtures to repair it. If you take it apart, you probably will not be able to reassemble it correctly. Crosman assumes no warranty responsibility in this case.

## A SPECIAL CUSTOMER SERVICE

Crosman Authorized Service Stations will unjam your rifle at no cost during the warranty period.

## LIMITED ONE YEAR WARRANTY

This product is warranted to the retail consumer for one year from date of retail purchase against defects in material and workmanship and is transferable. To register the serial number of your gun please return the Airgun registration form. The warranty is not conditioned on the return of the card.

### WHAT IS COVERED

Replacement parts and labor. Transportation charges to consumer for repaired product.

### WHAT IS NOT COVERED

Transportation charges to Crosman for defective product. Damages caused by abuse or failure to perform normal maintenance—see Owner's Manual. Sales outside of the United States. Any other expense. **CONSEQUENTIAL DAMAGES INCIDENTAL DAMAGES OR INCIDENTAL EXPENSES INCLUDING DAMAGE TO PROPERTY. SOME STATES DO NOT ALLOW THE EXCLUSION OR LIMITATION OF INCIDENTAL OR CONSEQUENTIAL DAMAGES SO THE ABOVE LIMITATION OR EXCLUSION MAY NOT APPLY TO YOU.**

### HOW TO OBTAIN WARRANTY PERFORMANCE

Locate nearest Crosman service Center on list with Product. Attach to Product your name address description of problem, phone number and proof of date of retail purchase (sales slip). Package and return Product to Crosman Service Center transportation charges prepaid.

### IMPLIED WARRANTIES

ANY IMPLIED WARRANTIES INCLUDING THE IMPLIED WARRANTIES OF MERCHANTABILITY AND FITNESS FOR A PARTICULAR PURPOSE ARE LIMITED IN DURATION TO ONE YEAR FROM DATE OF RETAIL PURCHASE. SOME STATES DO NOT ALLOW LIMITATIONS ON HOW LONG AN IMPLIED WARRANTY LASTS SO THE ABOVE LIMITATIONS MAY NOT APPLY TO YOU.

To the extent any provision of this warranty is prohibited by federal state or municipal law which cannot be preempted it shall not be applicable. This warranty gives you specific legal rights and you may also have other rights which vary from state to state.