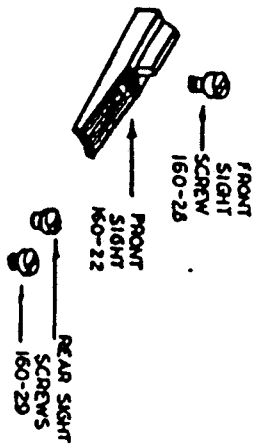
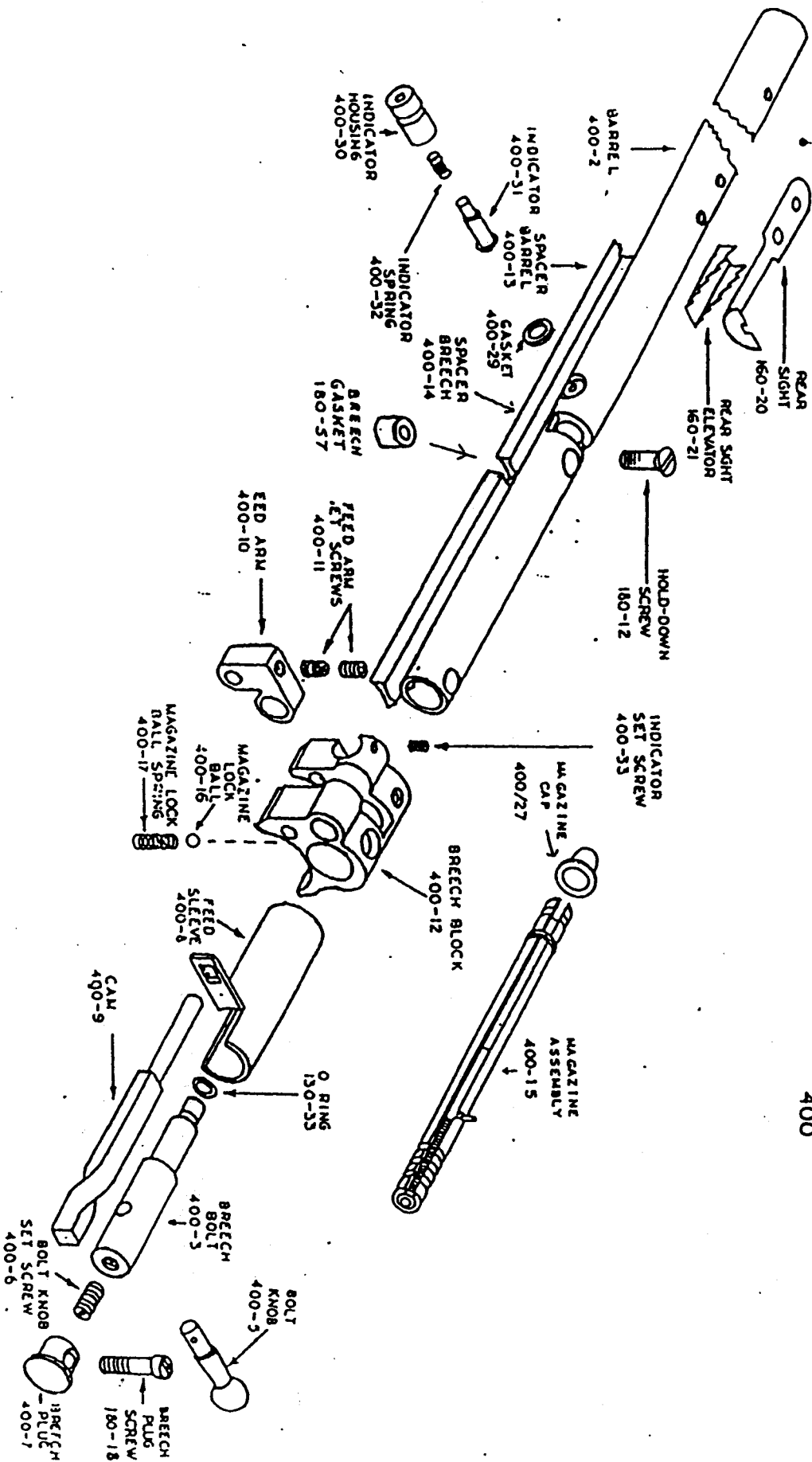


MODEL 400

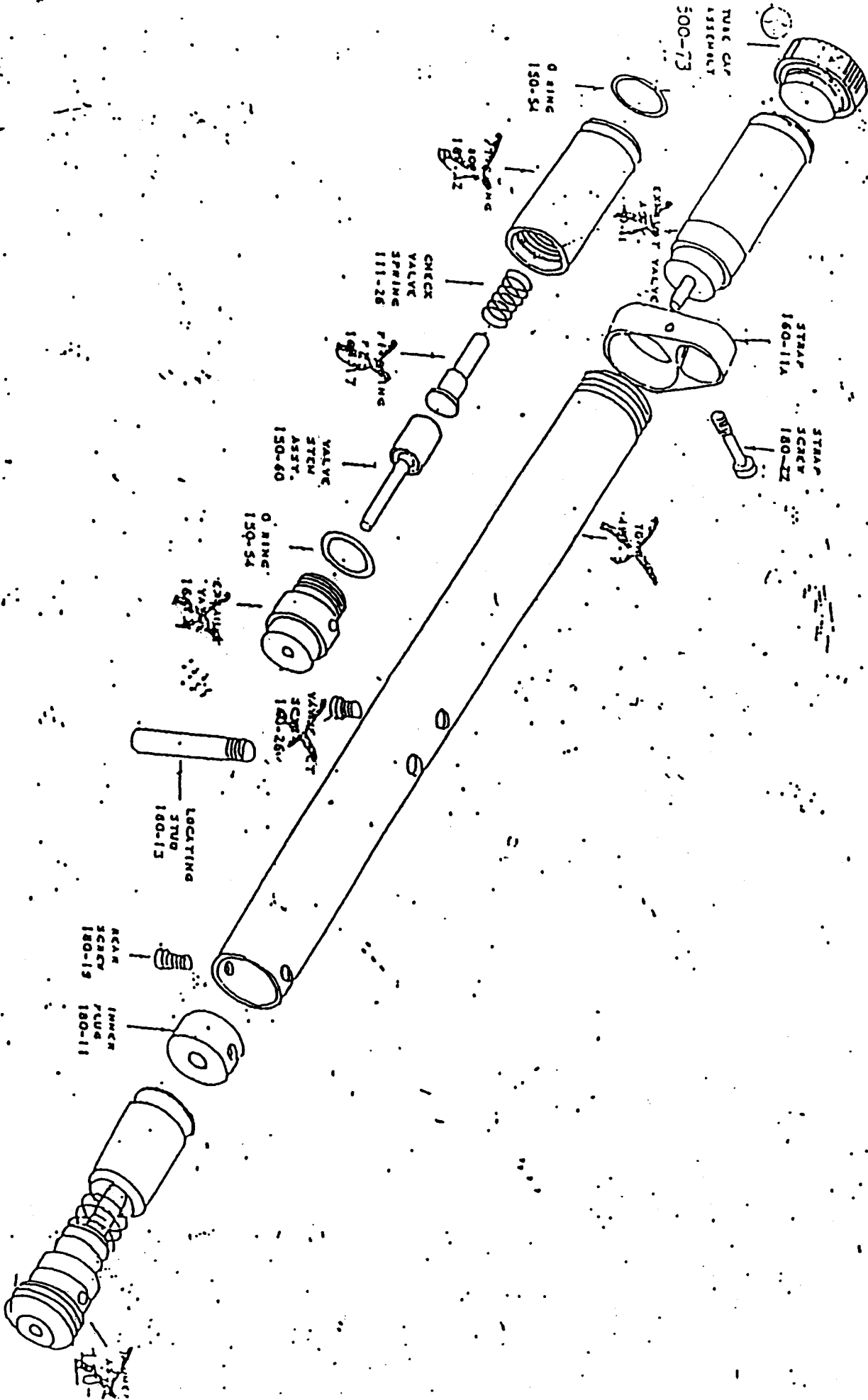
400 REPEATER BARREL ASSEMBLY

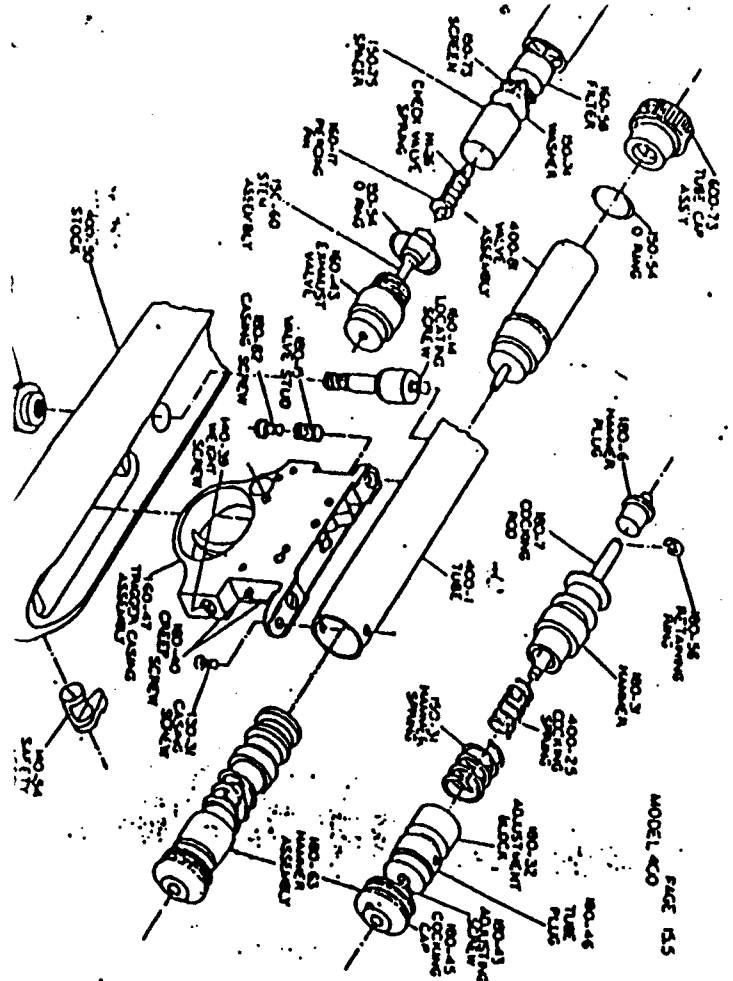


MODEL USED
ON
400

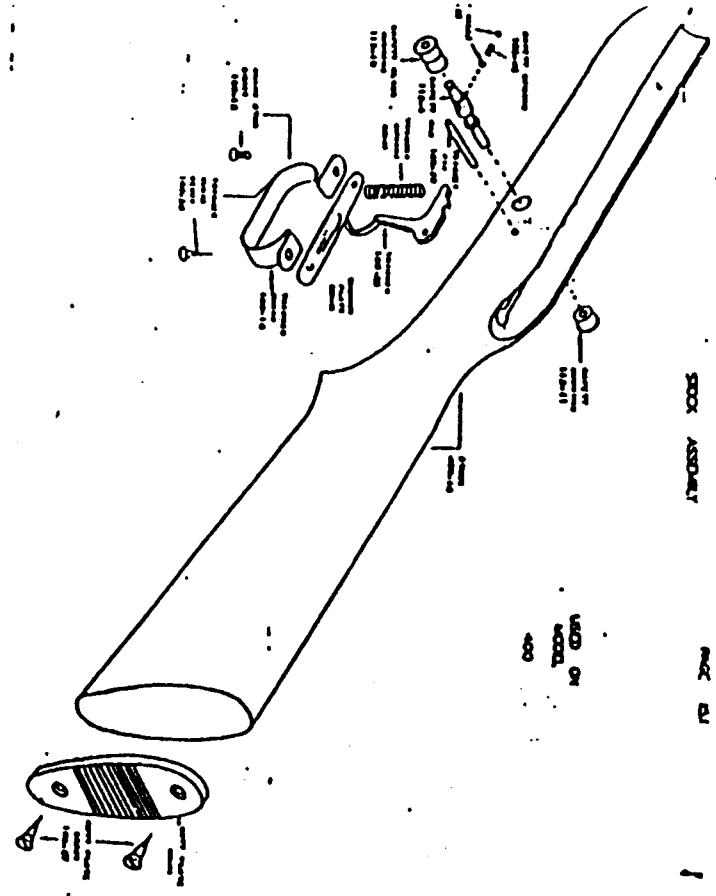


TUBE ASSEMBLY

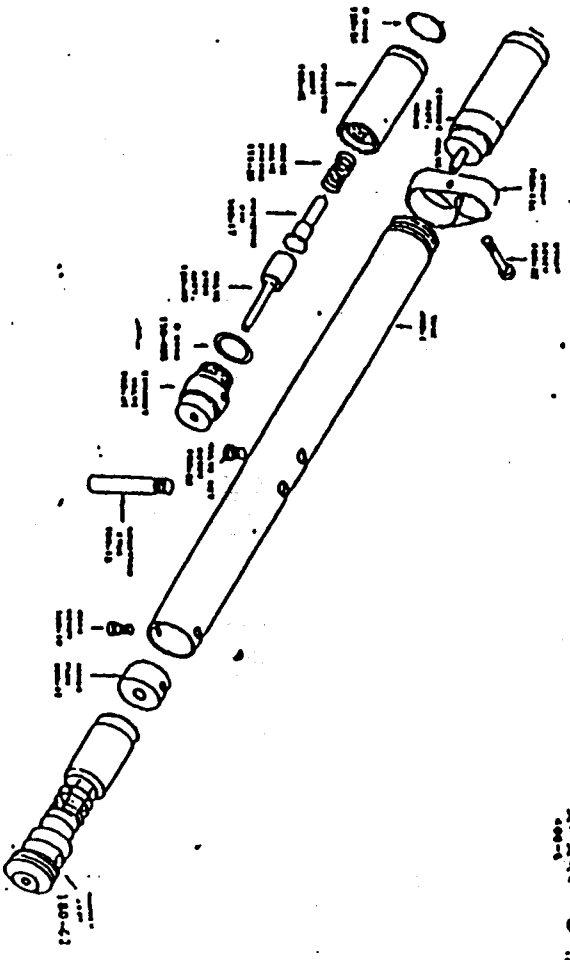




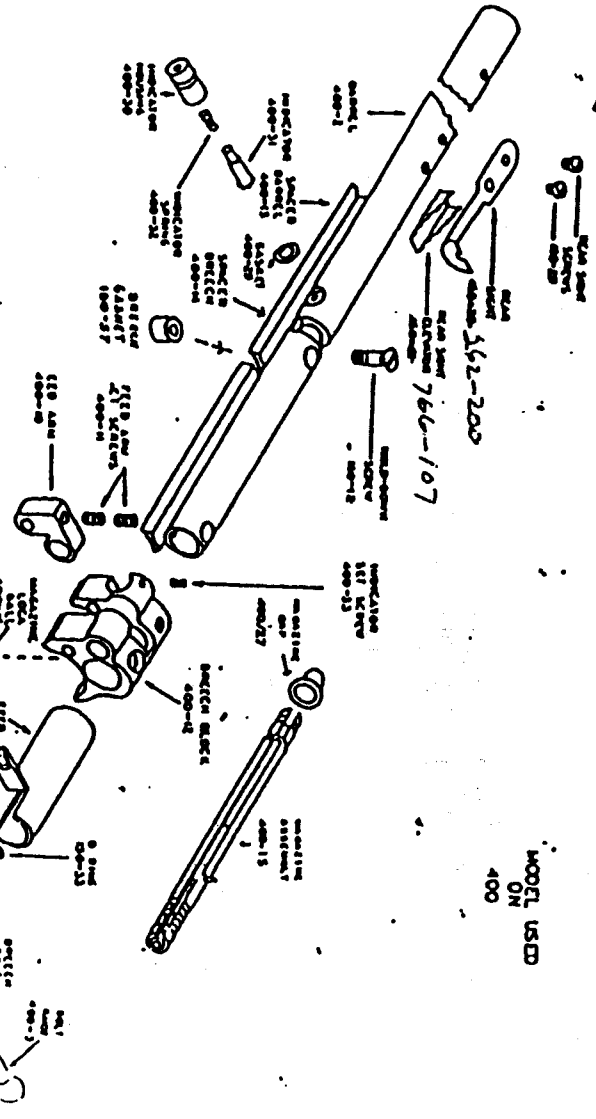
MODEL 400
PAGE 155



MODEL 400
PAGE 155



TUBE ASSEMBLY



400 REPEATER
BARREL ASSEMBLY

MODEL USED
ON
400

MODEL 400 ASSEMBLIES AND PARTS LIST

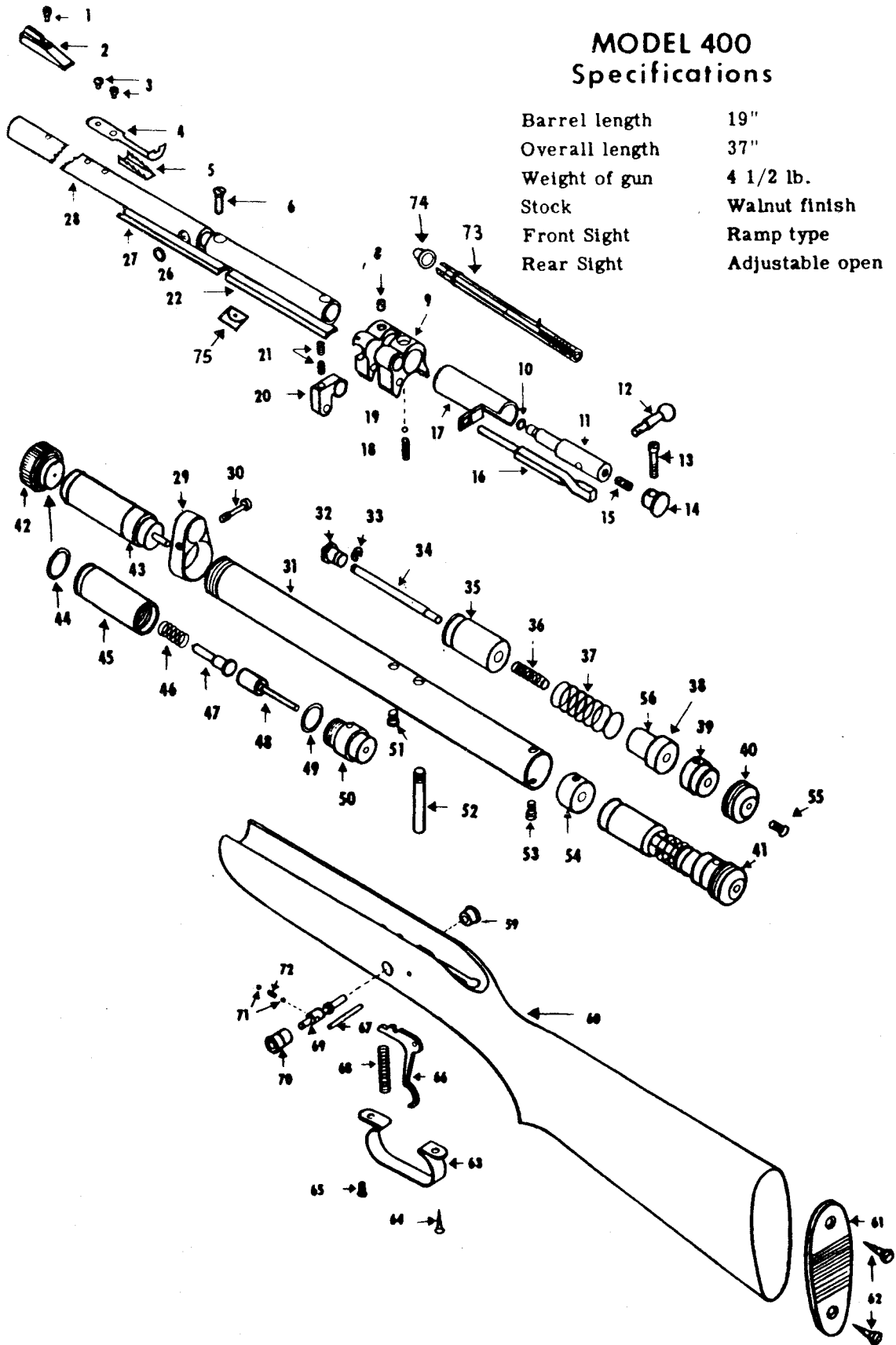
<u>PART #</u>	<u>QTY</u>	<u>DESCRIPTION</u>	<u>PART #</u>	<u>QTY</u>	<u>DESCRIPTION</u>
105-039	2	Decent Ball (Safety)	180-022	1	Strap Screw
105-045	1	Safety Decent Spring	180-056	1	Retainer
108-014	1	Locating Screw Nut	180-057	1	Breach Gasket
111A026	1	Valve Spring	180-065	1	Trigger Spring
113-009	1	Safety Bar	180-067	1	Strap & Screw Assy.
113-010	1	Safety Click Bushing	180-082	1	Ft. Trigger Frame Scw.
113-011	1	Safety Bushing	400-003	1	Breach Bolt
130-031	1	Trigger Frame Screw	400-006	1	Bolt Knob Set Screw
140-025	3	Pivot Pin	400-007	1	Breach Plug
140-027	1	Safety Spring	400-008	1	Feed Sleeve Cover
140-028	1	Trigger Spring	400-009	1	Cam
140-039	1	Weight Screw	400-010	1	Feed Arm
140-045	1	Trigger Casting	400-011	1	Feed Arm Set Screw
150-028	1	Valve O-Ring	400-012	1	(Use 760-027)
150-054	1	Valve & Cap O-Ring			Breach Block
150-060	1	Valve Stem Assembly	400-016	1	(Without Indicator)
150-074	1	Washer	400-017	1	Magazine Retainer Ball
150-075	1	Spacer	400-031	1	Magazine Ball Spring
160-011	1	Barrel Strap	400-032	1	Indicator
160-030	1	Trigger Guard Screw			Indicator Spring
160-031	1	Sear Spring	400-050	1	(Use 350-041)
160-034	2	Sear Nub Pin	600-073	1	Stock (New Style)
160-040	1	Creep Screw	1400-008	2	Tube Cap Assembly
160-046	1	Trigger	1400-010	1	Plate Screw
160-058	1	Filter	1400-010	1	Safety Rod
180-011	1	Inner Plug	1400A016	1	Safety Lever
180-012	1	Hold Down Screw	1400-026	2	Butt Plate Screw
180-013	1	Locating Screw Stud	400-005	1	Bolt Knob (Not Available)
180-018	1	Breach Plug Screw			
180-020	1	Trigger Pin			

130-033

07179

MODEL 400 Specifications

Barrel length	19"
Overall length	37"
Weight of gun	4 1/2 lb.
Stock	Walnut finish
Front Sight	Ramp type
Rear Sight	Adjustable open



List of Parts and Assemblies:

REF. NO.	PART NO.	PART NAME	REF. NO.	PART NO.	PART NAME
1	160-28	Front Sight Screw	38	180-42	Adjusting Block
2	160-22	Front Sight	39	180-46	Tube Plug
3	160-29	Rear Sight Screw	40	180-45	Cocking Cap
4	160-20	Rear Sight	41	180-62	Hammer Assembly
5	160-21	Rear Sight Elevator	42	600-73	Tube Cap Assembly
6	180-12	Hold-Down Screw	43	400-19	Exhaust Valve Assembly
8	160-33	Breech Block Set Screw	44	150-54	#11 CO2 O Ring
9	400-12	Breech Block	45	160-42	Piercing Body
10	130-33	#2 - O Ring	46	111-26	Check Valve Spring
11	400-3	Breech Bolt	47	160-17	Piercing Pin
12	400-5	Bolt Knob	48	150-60	Valve Stem Assembly
13	180-18	Breech Plug Screw	49	150-28	#10 O Ring
14	400-7	Breech Plug	50	160-41	Exhaust Valve
15	400-6	Bolt Knob Set Screw	51	160-26	Valve Set Screw
16	400-9	Cam	52	180-13	Locating Screw
17	400-8	Feed Sleeve	53	180-19	Rear Screw
18	400-17	Magazine Lock Ball Spring	54	180-11	Inner Plug
19	400-16	Magazine Lock Ball	55	180-43	Adjusting Screw
20	400-10	Feed Arm	56	180-44	Spring Block
21	400-11	Feed Arm Set Screw	59	113-11	Safety Bushing
22	400-14	Breech Spacer	60	400-18	Stock
27	400-13	Barrel Spacer	61	180-74	Butt Plate
28	400-2	Barrel	62	108-57	Butt Plate Screw
29	160-11A	Strap	63	160-18	Trigger Guard
30	180-22	Strap Screw	64	160-30	Trigger Guard Screw
31	400-1	Tube	65	150-13	Guard Stud Screw
32	180-6	Hammer Plug	66	180-29	Trigger
33	180-56	Retaining Ring	67	180-20	Trigger Pin
34	180-7	Cocking Rod	68	180-65	Trigger Spring
35	180-28	Hammer	69	113-9	Safety Bar
36	150-40A	Cocking Spring	70	113-10	Safety Click Bushing
37	150-31	Hammer Spring	71	105-39	Safety Ball
			72	105-45	Safety Spring
			73	400-15	Magazine Assy.
			74	400-27	Magazine Cap
			75	180-57	Breech Gasket