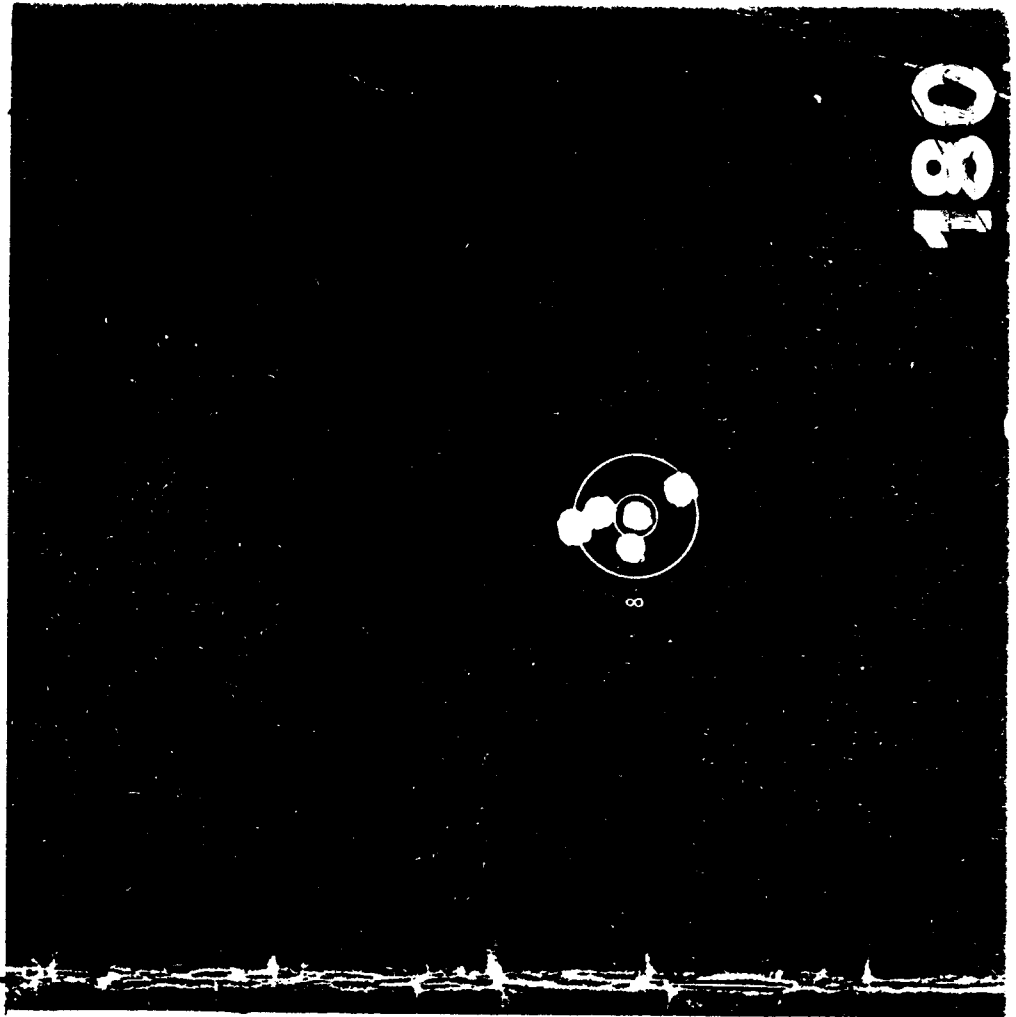


187

*Crosman
Jan 187*

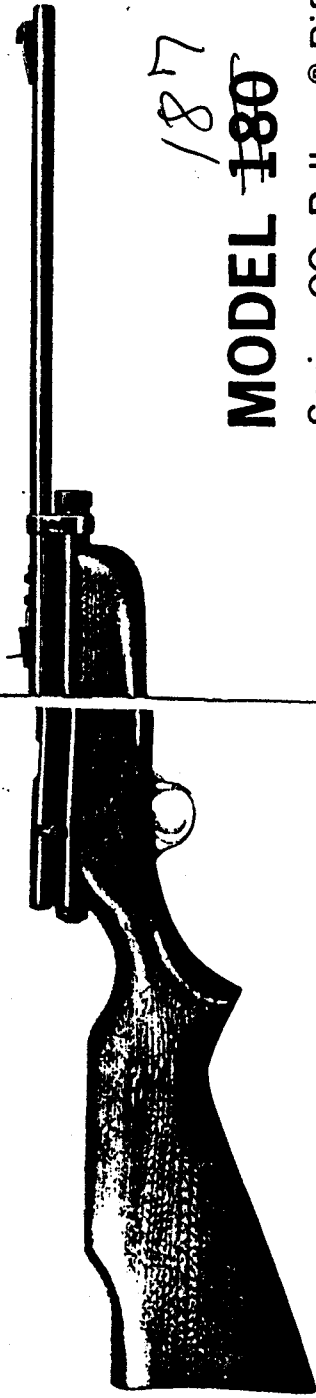


180

CROSMAN ARMS CO.

Customer Service Department

TO: _____



187

MODEL 180

Series CO₂ Pellgun® Rifle
Operating Instructions

Read all instructions carefully before operating your gun.

Always Follow These Simple Safety Rules:

1. Treat every gun as if it is a loaded gun.
2. Always keep muzzle of gun pointed in a safe direction.
3. Don't point at anything you don't intend to shoot.
4. Check safety before loading.
5. Be sure of your target and your backstop.
6. Conduct yourself as a true sportsman in using your gun.

OILING POINTS

NOTICE

The valve in this gun is designed for use with Crosman Golden Powerlet. Other type CO₂ cylinders may cause a malfunction in this gun.

TO CHARGE RIFLE WITH CO₂

Make certain there is no pellet in barrel. Cock rifle to full power position by pulling cocking button to the rear. Fire rifle in a safe direction to exhaust residual gas. Push safety lever down and back 180 degrees to "S" Safe Position. Unscrew and remove knurled tube cap. (If unable to turn by hand, DO NOT attempt to remove with pliers or other tools as this denotes the gun is under pressure.) Repeat above instructions until all gas is exhausted. Hold muzzle end down and used Powerlet will drop out. Insert Powerlet in tube, neck end down. Screw tube cap firmly into place by hand. Push Safety lever forward and up 180 degrees to "F" Fire Position. Pull Trigger to pierce Powerlet and release gas into chamber. Rifle is now under compression. Recock and fire rifle immediately to allow valve to close, preventing loss of CO₂ gas.

TO LOAD AND SHOOT RIFLE:

Cock rifle by pulling cocking button to the extreme rear click position. Push safety lever down and back 180 degrees to "S" Safe Position. Lift breech bolt knob up, pull to rear. Place Pellet (nose forward) in breech loading recess. Advance breech bolt lock down to right.

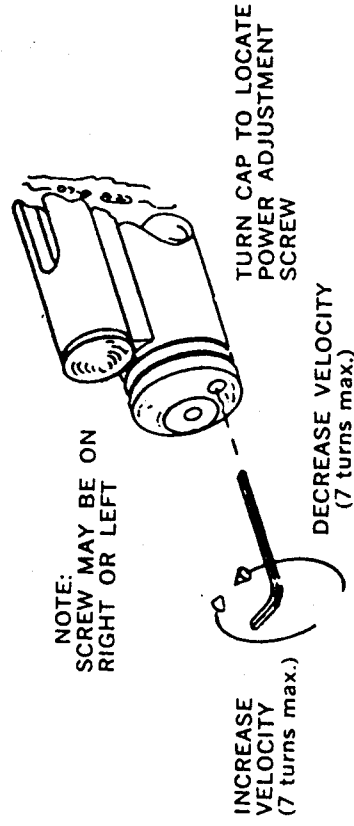
This rifle features the new two-step adjustable power, which allows you to select low power position for short

range economy shooting or high power position for longer range, by simply cocking to the power desired.

High power is obtained by pulling the Cocking Button to the extreme rear click position. For low power, cock gun to the second click position.

Select target, push Safety lever forward and up 180 degrees to "F" Fire Position, take aim, squeeze trigger to shoot.

This gun has been pre-set at the factory for average shooting conditions, but if more power or less power is desired, this can be obtained by turning the adjusting screw in to increase power or out to decrease power. Fewer shots will be obtained if the power is increased.



Adjustment is made thru a hole in the Cocking Cap with a 6 x 32 (No. 116) Allen Wrench. Adjustment may be desirable at temperature ranges extreme from room temperature.

CAUTION: COCKING FAILURE MAY RESULT IF SCREW IS TURNED IN OR OUT MORE THAN SEVEN COMPLETE TURNS FROM FACTORY SETTING.

IMPORTANT: Proper oiling of Pellguns will eliminate most sealing failures. USE SPARINGLY. Excessive oiling is harmful to gun action. Every 250 shots or when parts appear dry, apply a few drops of oil to "O" Ring on knurled tube cap inside tube, breech bolt and trigger mechanism. Be sure that "O" Ring on knurled tube cap is clean and free of foreign matter. Never use penetrating or detergent type oils, as they may be harmful to valve washers and seals. USE SPECIAL CROSMAN PELLGUN-OIL[®] for best results.

TO UNLOAD PELLET FROM BARREL:

Rifle must be uncocked and breech bolt open. Insert $\frac{1}{32}$ " ramrod in muzzle end of barrel and push pellet out into loading channel.

TO ADJUST REAR SIGHT:

Windage: Loosen both rear sight screws counter-clockwise. This will free rear sight allowing it to be moved right or left until proper sight adjustment has been reached. Retighten rear sight screws.

Elevation: Move rear sight elevator towards breech to raise sight; to lower sight, raise rear sight slightly and at the same time push sight elevator towards muzzle.

TO REMOVE STOCK:

Push safety lever down and back 180 degrees to "S" Safe Position, push safety assembly out of trigger guard casting from left side. Unscrew and remove locating nut on underside of stock. Lift gun assembly out of stock.

TO REPLACE STOCK:

Press gun assembly firmly into stock. Attach nut on bottom of stock. Nut must be kept tight. With a blunt instrument depress the safety rod assembly from the left side and with the safety lever pointing towards trigger, press safety assembly into hole in the trigger guard casting from the right side. Safety can be changed to left hand by inserting safety lever assembly from left side.

TRIGGER ADJUSTMENT:

The weight of trigger pull and trigger travel for this rifle has been set at the factory for best performance. Crosman Arms Company is not responsible for any further adjustment made to the trigger that might cause misperformance.

REPAIR SERVICE:

Refer to the attached Service Station list for service, including warranty repair work or, see your dealer where purchased. Disassembly will void warranty. Replacement Powerlets in a convenient pocket size pack, Crosman Super Pells, and Crosman Targets can be obtained at Sporting Goods Dealers everywhere.

CARE OF RIFLE:

The Model 180 Series Crosman CO₂ Pelgun Rifle is a precision built gun of the most modern design and construction. Materials have been carefully selected for quality and long life. Before it is released for shipment, it has passed numerous rigid inspections and has been test fired for performance.

Treat it with the same fine care that you give your other valued possessions and it will give you many hours of carefree pleasure and enjoyment.

Never use steel darts or other hard missiles. Use only Crosman Super Pells for accuracy and long barrel life. The design and materials used in other brands can cause feeding failure and plugged barrels. It is not necessary to clean the barrel, but an occasional light coat of oil is recommended to prevent rusting.

DO NOT expose charged gun or Powerlets to excessive heat.

18.7
Crosman 180



SPECIFICATIONS

Mechanism: Smooth, easy bolt action

Caliber: *Model 187* - Crosman Super Pell *187*

Weight: 4½ lbs.

O.A. slant line length: 34 inches

Sight: Fully adjustable rear sight, ramp front sight

Barrel: 18 inch, 10 lands, right hand twist, one turn
16 inch, button rifled

Power: 1 Crosman giant CO₂ powerlet

Range: 300 ft.

Capacity: Single shot