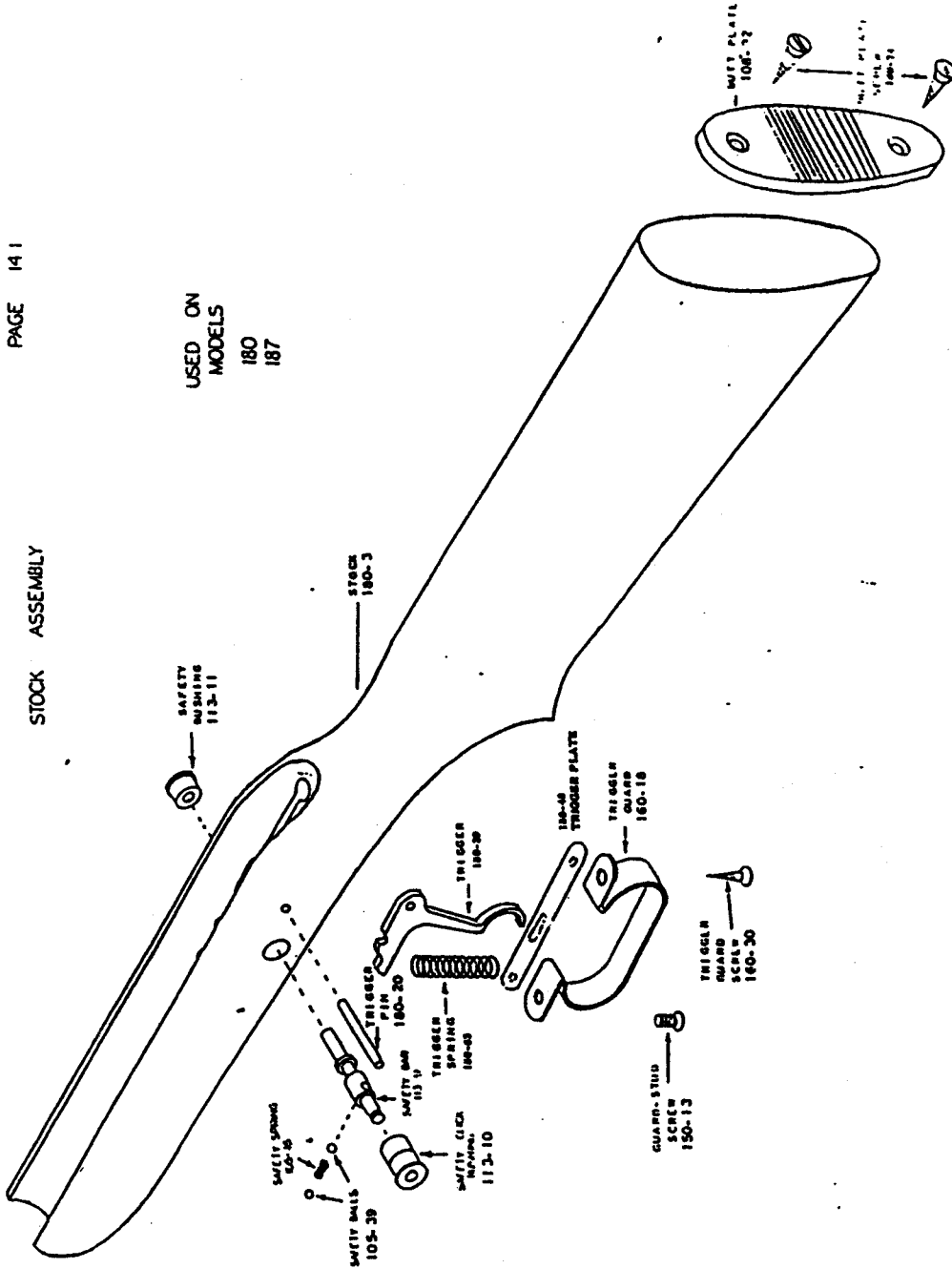
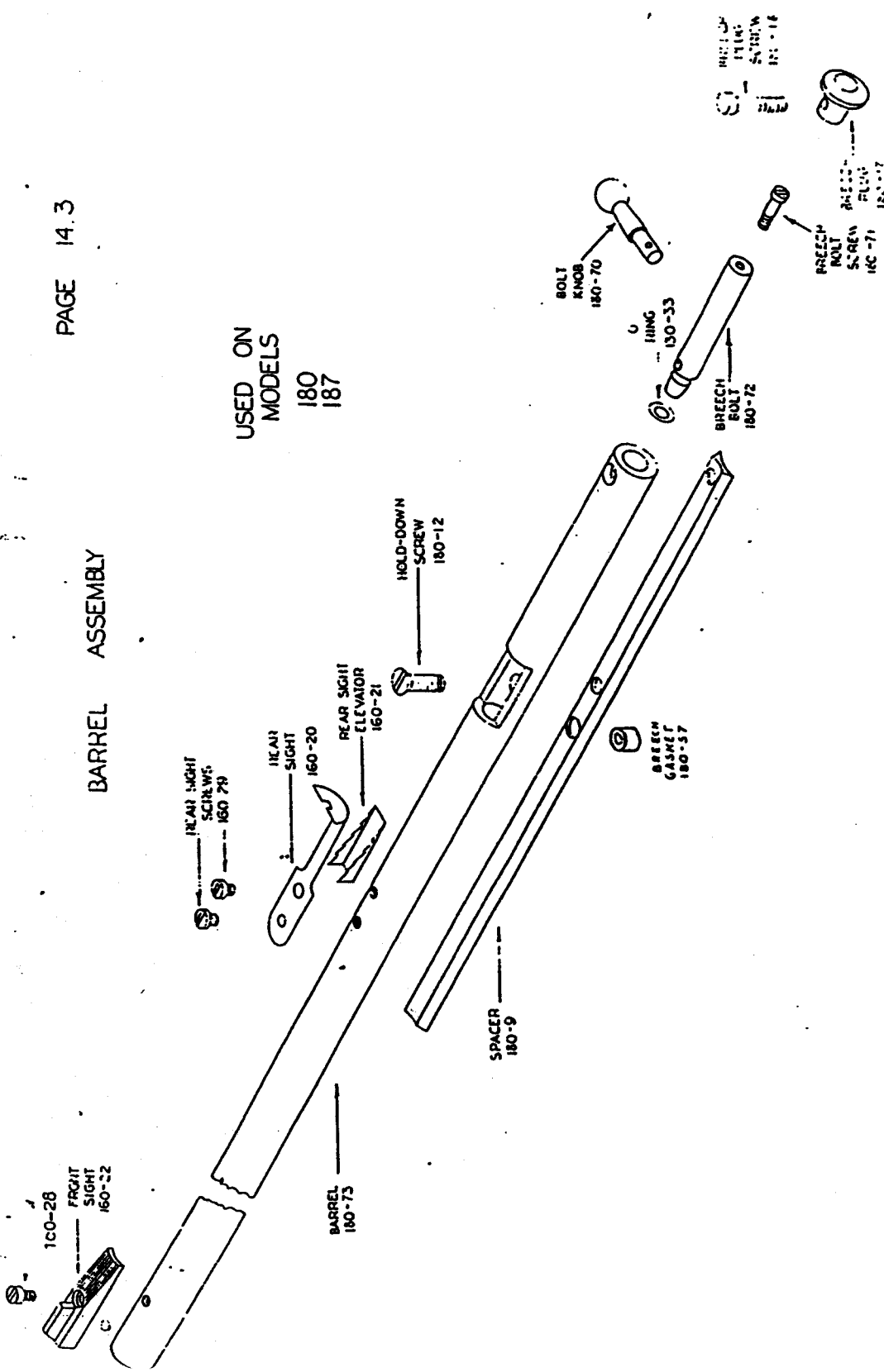


USED ON  
MODELS  
180  
187



# MODEL 180

BARREL ASSEMBLY

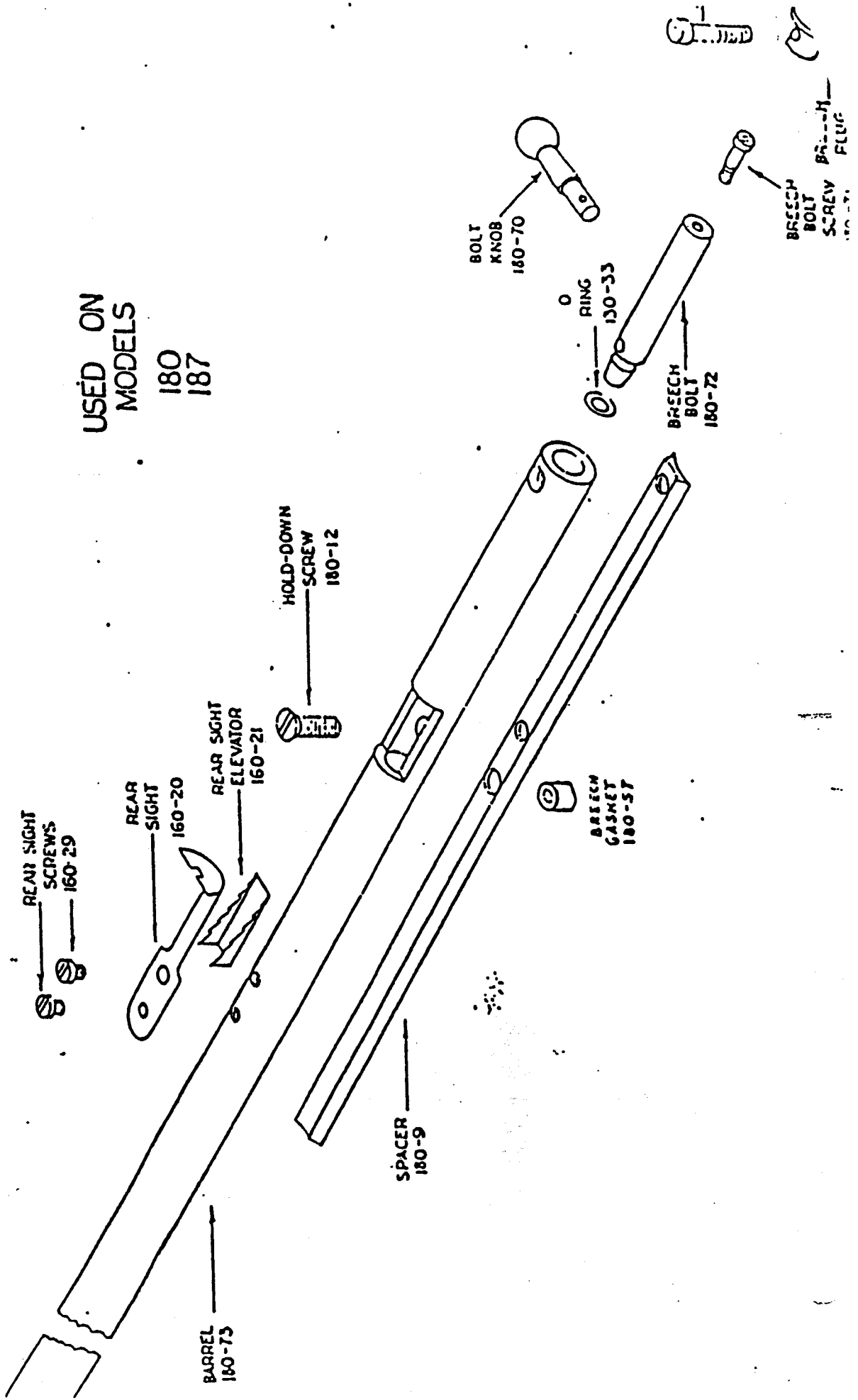


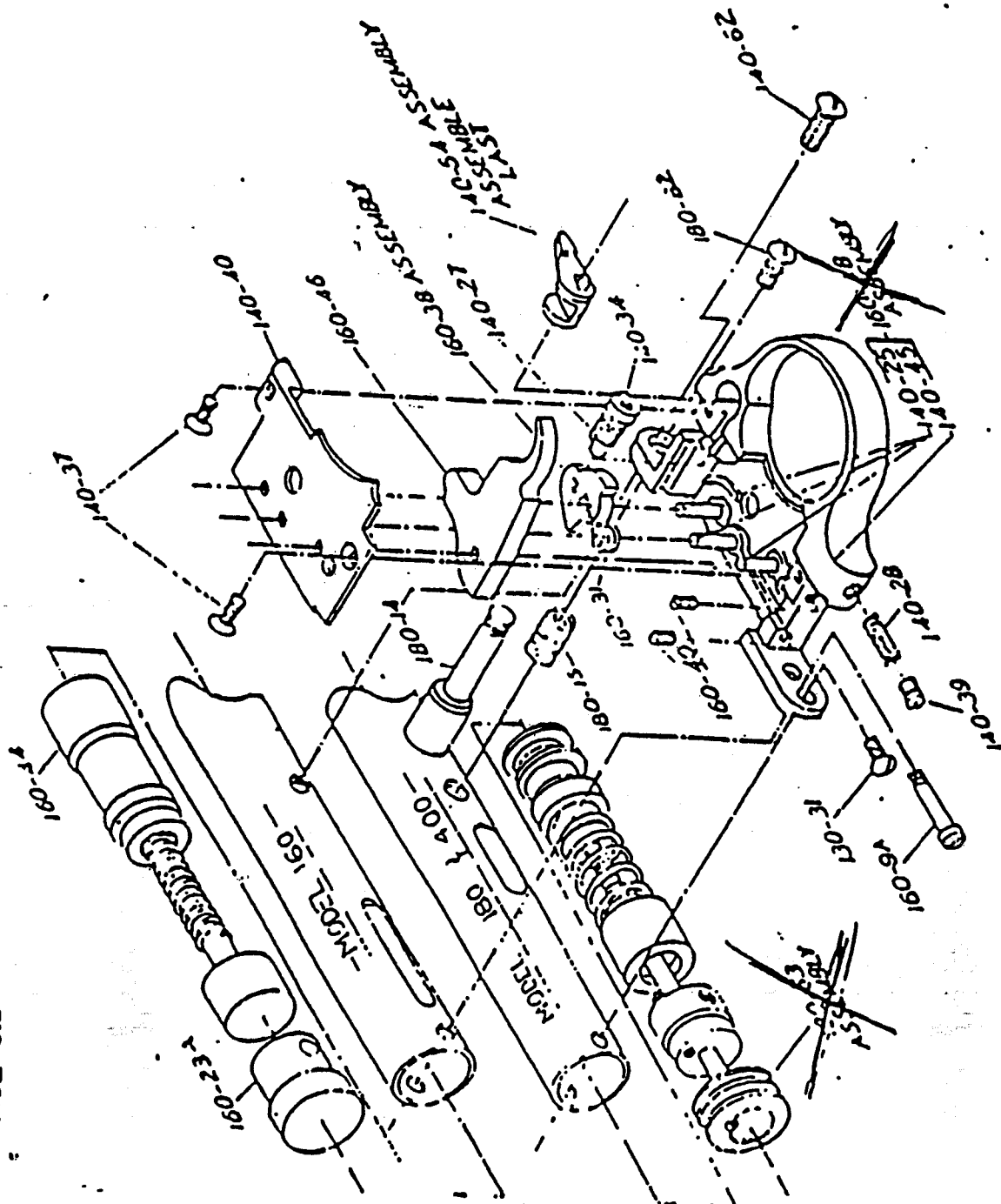
BARREL ASSEMBLY

USED ON MODELS

180  
187

SCR: 160-28  
FRONT SIGHT  
160-22  
761-006





ON MODEL 160 USE 160-50 STOCK  
 180 USE 180-50  
 400 USE 400-50

TRIGGER CASING ASSEMBLY  
 AND NEW ADJOINING PARTS

3-23-61

TUBE ASSEMBLY

USED ON  
MODELS  
180  
187

