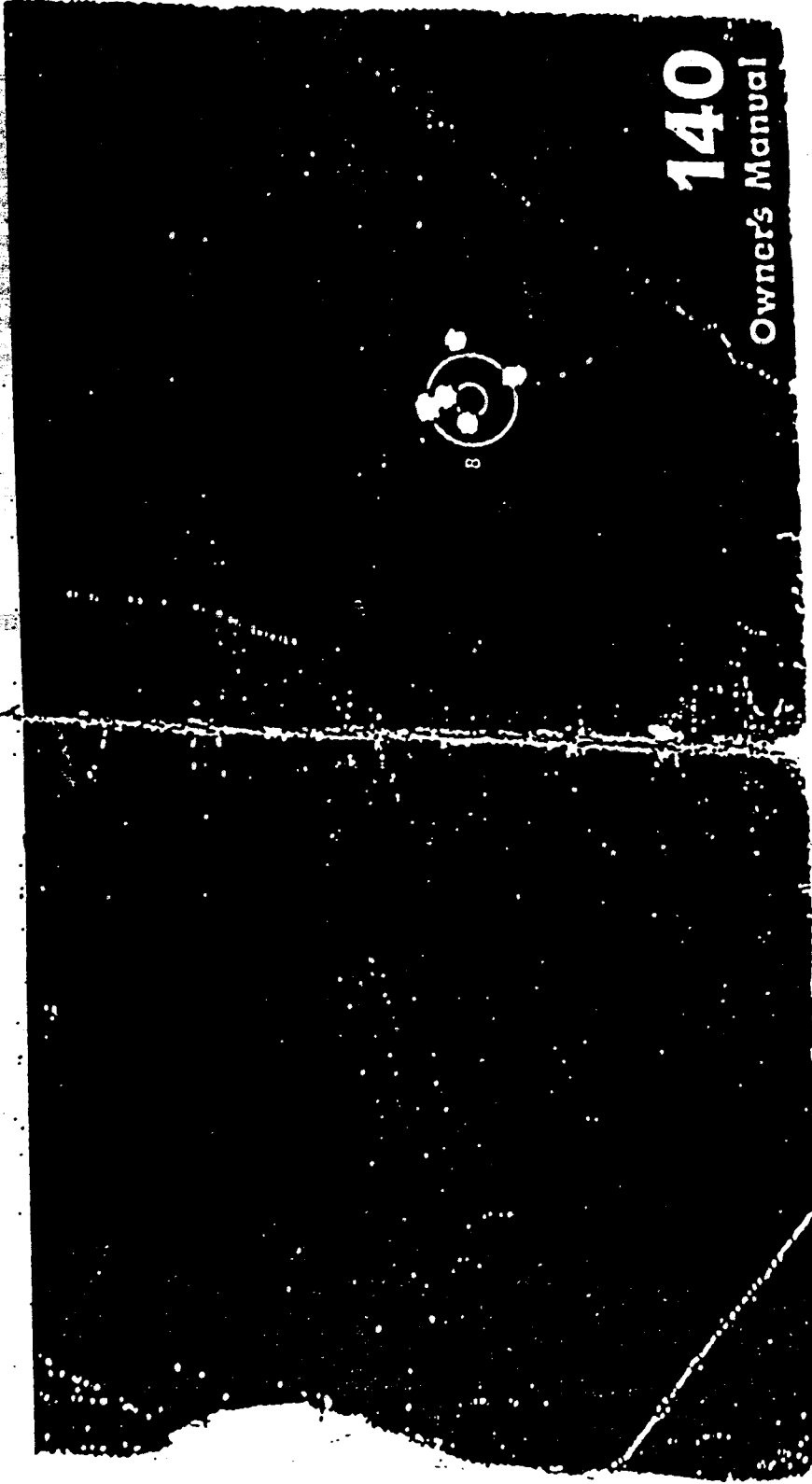


Crosman



140

Owner's Manual

TRIGGER ADJUSTMENT:

The weight of trigger pull and trigger travel for this rifle has been set at the factory for best performance. Crosman Arms Company is not responsible for any further adjustment made to the trigger that might cause misperformance.

CARE OF RIFLE:

The Model 140 Series Crosman Pelgun Rifle is a precision built gun of the most modern design and construction. Materials have been carefully selected for quality and long life. Before it is released for shipment, it has passed numerous rigid inspections and has been test fired for performance. Treat it with the same fine care that you give your other valued possessions and it will give you many hours of care-free pleasure and enjoyment.

Keep your rifle clean at all times to prevent foreign matter from entering the pump and valve action. When storing it, release all air pressure. Wipe off blued steel parts with an oily rag to prevent rust and preserve the finish.

Never use steel darts or other hard missiles. Use only Crosman Super Pells for accuracy and long barrel life. The design and materials used in other brands can cause feeding failure and plugged barrels. It is not necessary to clean the barrel, but an occasional oiling is recommended to prevent rusting.

LUBRICATION:

Important: Proper oiling of Pelguns will eliminate most sealing failures. Use sparingly. Excessive oiling is harmful to gun action. Every 250 shots or when parts appear dry, apply a few drops of oil to lever hinges, pump cup and trigger casing. Never use penetrating or detergent type oils, as they may be harmful to valve washers and seals.

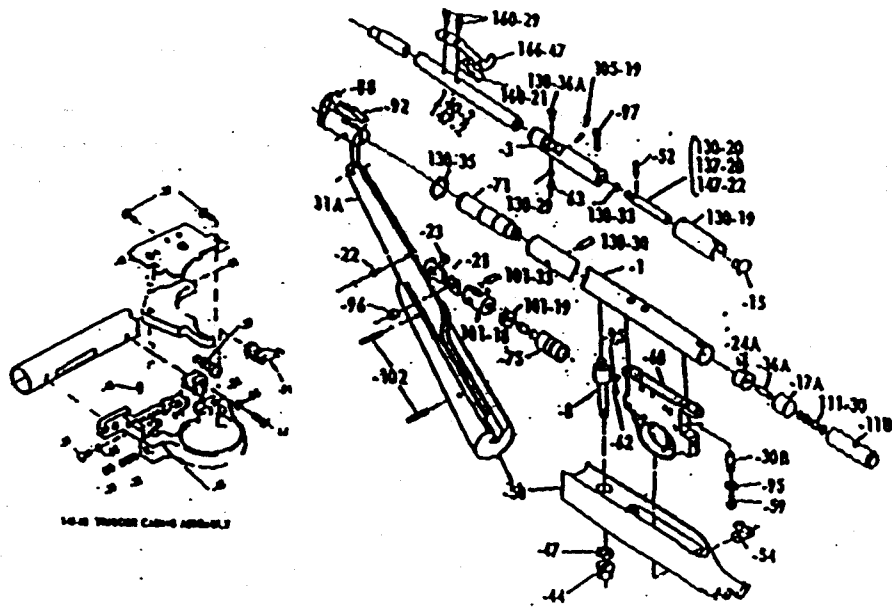
USE SPECIAL CROSMAN PELLGUNOIL® FOR BEST RESULTS.

REPAIR SERVICE:

It is not necessary for your dealer to replace your gun. Your Crosman gun can be serviced at one of the authorized Crosman Service Stations shown on the inside back cover. Do not return gun to factory without written permission.

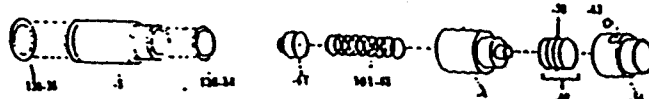
Our service stations are equipped to make warranty repairs on Crosman guns, within the ninety (90) day warranty period. Guarantee Certificate must be properly filled out, and accompany your gun in order to qualify for service.

Warranty is void if gun has been disassembled or, in the judgement of the service station, has been abused or misused. Include a description of the malfunction with gun.



140 Series Water Control Assembly

EXHAUST VALVE ASSEMBLY 140-71



LIST OF PARTS AND ASSEMBLIES - SERIES 140

Part No.	Part Name	Edca	Part No.	Part Name	Edca
101-18	Pump Guide		140-37	Plate Screw	
101-19	Pump Lock Nut		140-39	Weight Screw	
101-21	Pump Guide Pin		140-41	Trigger	
101-23	Check Valve Spring		140-45	Trigger Coating	
105-19	Lock Pin		140-47	Locking Nut Washer	
111-30	Sear Spring		140-49	Trigger Coating Assembly	
130-19	Locking Screw		140-50	Block and Forearm	
130-20	Breach Bolt .22 Cal.		140-53	Breach Bolt Screw	
130-21	Breach Washer		140-54	Safety Assembly	
130-22	Front Sight Pin		140-56	Exhaust Valve Ring	
130-23	Breach Bolt "O" Ring		140-58	"O" Ring	
130-24	"O" Ring		140-59	Coating Screw Row	
130-25	Valve "O" Ring #9		140-61	Coating Screw	
137-20	Breach Bolt .177 Cal.		140-63	Breach Washer	
140-1	Tube		140-65	Exhaust Valve Cap Assembly	
140-2	Barrel .22 Cal.		140-67	Valve Assembly	
140-3	Breach		140-70	Lever & Link Assembly	
140-4	Exhaust Valve Body		140-75	Pump Rod Assembly	
140-5	Check Valve Body		140-77	Breach and Lock Pin	
140-67	Check Valve		140-79	Barrel Breach Assembly	
140-8	Locking Screw		140-80	Front Sight	
140-11	Sear Block Stop		140-92	Front Sight Ramp	
140-13	Breach Plug		140-94	Locking Screw Nut	
140-17	Sear Block		140-95	Lock Washer	
140-21	Lever Link		140-96	Outlet Plug	
140-22	Lever Link Rivets		140-97	Rear Breach Screw Assembly	
140-23	Lever Link Bushings		140-102	Light Pin	
140-24	Small Tube Pin		147-22	Breach Bolt, Magnetic	
140-27	Safety Spring		147-20	Barrel Breach Assembly .177 Cal.	
140-28	Trigger Spring		130-26A	Hold Down Screw	
140-30	Tube Plug Pin		140-21	Rear Sight Elevator	
140-31	Pump Lever		140-29	Rear Sight Screw	
140-34	Safety Rod		140-47	Rear Sight	
140-36	Valve Pin				

(Order by part number and name.) Prices subject to change without notice. Check or money order in amount of total purchase must accompany parts order. Parts will be shipped prepaid.

Crosman 140



SPECIFICATIONS

Mechanism: Pump Action, Single Shot

Caliber: .22 Super Pelt

Weight: 5 lb. 2 oz.

O/A Length: 35 inches

Sights: Fully adjustable rear, ramped front sight
Barrel: 19 3/4 inches, 10 lands, right hand twist,
one turn in 16 inches, button rifled

Power: Air

Range: Up to 300 feet

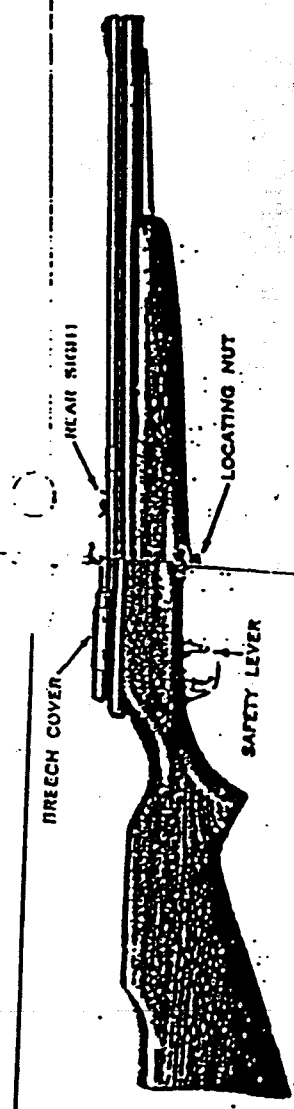


MASTER MOUNT and SUPERSCOPE

Model 410 fits this gun and all other Crosman Rifles

Model 499 fits 99 Rifle

4 power—nitrogen filled, adjustable reticles, focusing eye-piece. Requires only a screwdriver to mount.



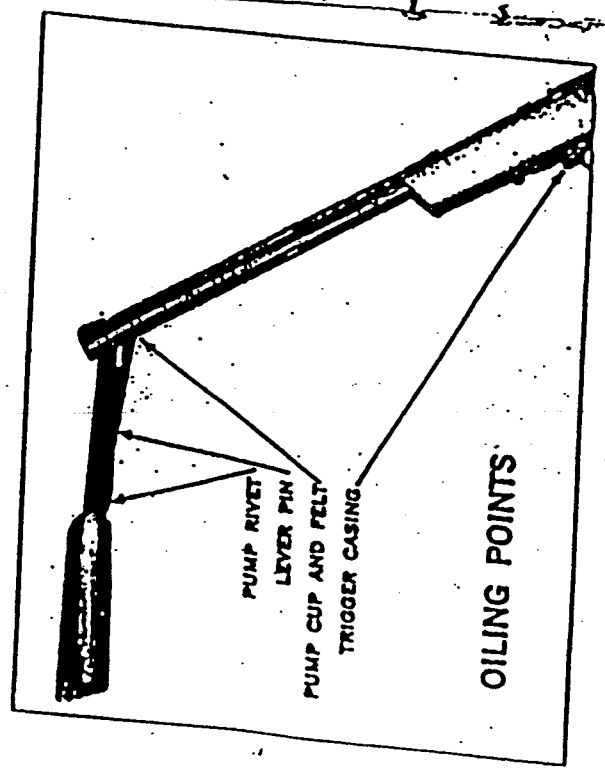
MODEL 140

Self Cocking Single Shot Pneumatic Pelgun® Rifle Operating Instructions

Read all instructions carefully before operating your gun.

Always Follow These Simple Safety Rules:

1. Treat every gun as if it is a loaded gun.
2. Always keep muzzle of gun pointed in a safe direction.
3. Don't point at anything you don't intend to shoot.
4. Check safety before loading.
5. Be sure of your target and your backstop.
6. Conduct yourself as a true sportsman in using your gun.



MODEL 140

TO LOAD AND SHOOT RIFLE:

Turn Breech Cover to left and draw back to open Breech. Make certain there is no Pellet in Barrel. (See "To Unload Pellet From Barrel.") Push safety lever down and back 180 degrees to "S" Safe Position. Pump rifle with full even strokes (6 to 8 strokes are recommended). This rifle has a new improved pump and valve system. Because of the high compression developed with each stroke, pumping beyond the recommended strokes can cause damage to the valve or bending of the pump lever. Place Pellet (nose forward) in breech loading recess. Push breech cover forward and turn to right for locking. Select target, push safety lever up and forward 180 degrees to "F" Fire Position, take aim, squeeze trigger to shoot.

TO UNLOAD PELLET FROM BARREL:

Push Safety Lever down and back 180 degrees to "S" Safe Position. Open Breech Cover. Insert a $\frac{1}{2}$ " ramrod in muzzle end of barrel and push pellet out into loading channel. DO NOT attempt to shoot a lodged Pellet out with another Pellet.

TO ADJUST REAR SIGHT:

Windage: Loosen both rear sight screws counter-clockwise. This will free rear sight allowing it to be moved right or left until proper sight adjustment has been reached. Retighten rear sight screws.

Elevation: Move rear sight elevator toward breech; to raise sight; to lower, raise rear sight slightly and at the same time push sight elevator toward muzzle.

TO REMOVE STOCK:

Push safety lever down and back 180 degrees to "S" Safe Position, push safety assembly out of trigger guard casting from left side. Unscrew and remove hex locating nut and washer on underside of stock. Lift gun assembly out of stock.

TO REPLACE STOCK:

Press gun assembly firmly into stock. Attach hex nut and washer on bottom of stock. Nut must be kept tight. With a blunt instrument depress the safety rod assembly from the left side and with safety lever pointing towards trigger press safety assembly into hole in the trigger guard casting from the right side. NOTE: Safety can be changed to left hand by inserting safety lever assembly from left side.

TRIGGER ADJUSTMENT:

The weight of trigger pull and trigger travel for this rifle has been set at the factory for best performance. Crosman Arms Company is not responsible for any further adjustment made to the trigger that might cause misperformance.

CARE OF RIFLE:

The Model 140 Series Crosman Peligun Rifle is a precision built gun of the most modern design and construction. Materials have been carefully selected for quality and long life. Before it is released for shipment, it has passed numerous rigid inspections and has been test fired for performance. Treat it with the same fine care that you give your other valued possessions and it will give you many hours of care-free pleasure and enjoyment.

Keep your rifle clean at all times to prevent foreign matter from entering the pump and valve action. When storing it, release all air pressure. Wipe off blued steel parts with an oily rag to prevent rust and preserve the finish.

Never use steel darts or other hard missiles. Use only Crosman Super Pellets for accuracy and long barrel life. The design and materials used in other brands can cause feeding failure and plugged barrels. It is not necessary to clean the barrel, but an occasional oiling is recommended to prevent rusting.

LUBRICATION:

Important: Proper oiling of Peliguns will eliminate most sealing failures. Use sparingly. Excessive oiling is harmful to gun action. Every 250 shots or when parts appear dry, apply a few drops of oil to lever hinges, pump cup and trigger casing. Never use penetrating or detergent type oils, as they may be harmful to valve washers and seals.

USE SPECIAL CROSMAN PELLGUNOIL® FOR BEST RESULTS.

REPAIR SERVICE:

It is not necessary for your dealer to replace your gun. Your Crosman gun can be serviced at one of the authorized Crosman Service Stations shown on the inside back cover. Do not return gun to factory without written permission.

Our service stations are equipped to make warranty repairs on Crosman guns, within the ninety (90) day warranty period. Guarantee Certificate must be properly filled out, and accompany your gun in order to qualify for service.

Warranty is void if gun has been disassembled or, in the judgement of the service station, has been abused or misused. Include a description of the malfunction with gun.