



EXPLODED VIEW & PARTS LIST

MODEL CCA4B1 Comrade AK CO2 Semi-Auto (4.5mm/BB)



Manufacture Date:

Last Update: 4/22/14

CROSMAN CORPORATION
7629 ROUTES 5 & 20
BLOOMFIELD, NY 14469
Phone: 1-800-724-7486
Parts Order Fax: 585-657-5405
www.crosman.com

- This EVP and parts list is intended to be an informational guide in ordering parts. It is not instructional material and we therefore assume no responsibility for those who use the same without proper factory training.
- Please order by part number and description.
- Check or money order for the total price must accompany the order.
- For current prices contact Crosman Corporation at 1-800-724-7486 or visit our website www.crosman.com

PARTS LIST FOR MODEL CCA4B1 & 7-CCA4B1

Manufacture Dates:

PART NUMBER	DESCRIPTION	Qty	
1	AK-017	Forearm, Left	1
2	1911-016	Screw, 4-24 X .469 hi-lo	12
3	106-020	Spring, Latch	1
4	AK-102	Rear Sight Assembly	1
5	AK-024	Spring, Feed	1
6	AK-019	Barrel Spring Stopper	2
7	AK-110	Barrel Ass'y AK	1
8	AK-012	BARREL GUIDE	1
9	C11-110	Safety Spring Seat	1
10	AK-036	Zinc Weight	1
11	AK-008	BB Door	1
12	C11-530	Weight 12mm X 36mm	1
13	AK-011	Front Sight Post	1
14	AK-010	Muzzle End	1
15	AK-018	Forearm, Right	1
16	AK-104	Magazine Assembly	1
17	AK-101	Stock Assembly	1
18	AK-105	Grip Assembly, Right	1
19	AK-001	Receiver, Right	1
20	C11A008	CO2 Screw Assembly	1
21	C11B802	CO2 Housing	1
22	AK-100	VALVE ASSEMBLY	1
23	C11-529	Pin 3mm X 18mm	3
24	AK-002	Receiver, Left	1
25	AK-106	GRIP ASSEMBLY, LEFT	1

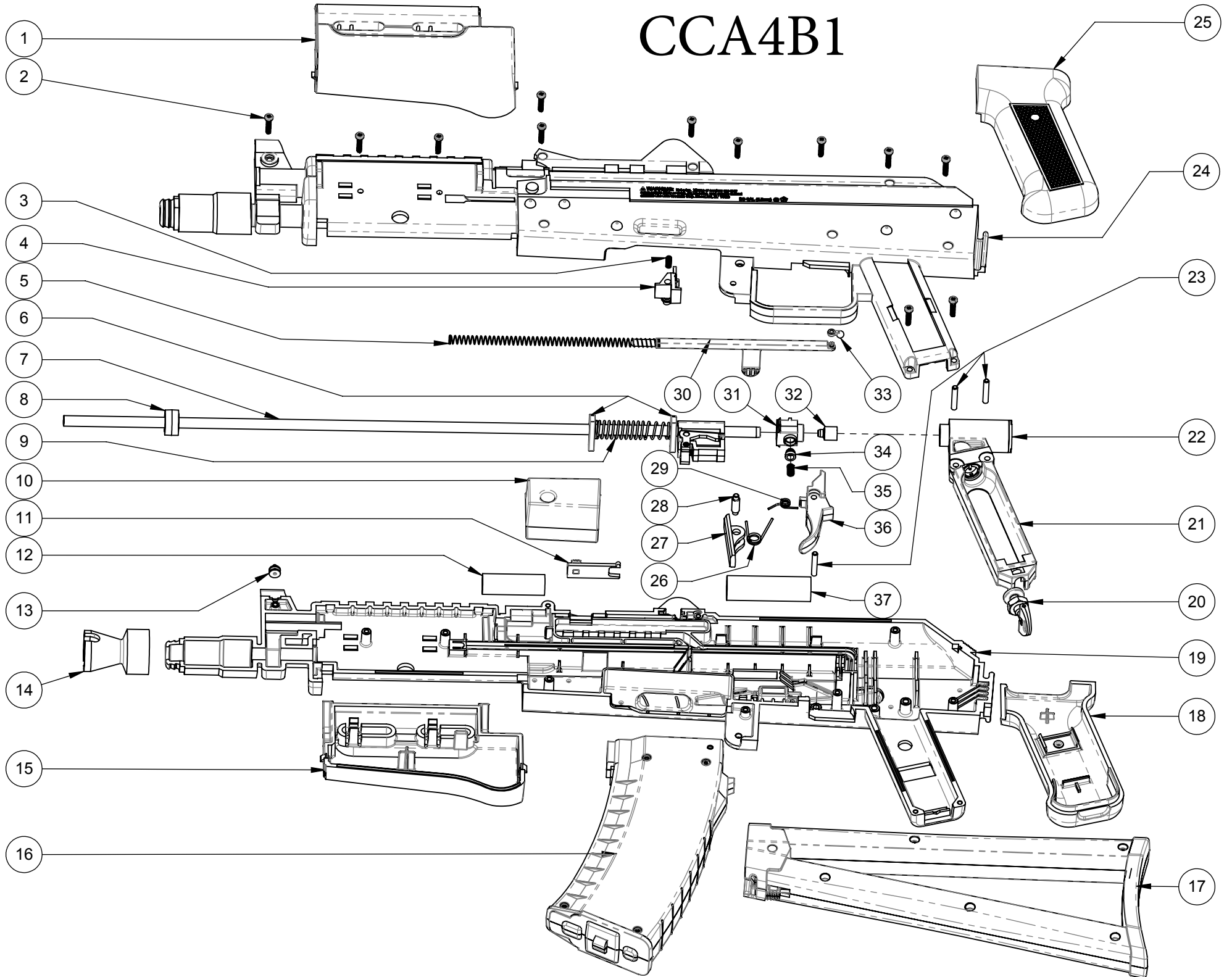
PART NUMBER	DESCRIPTION	Qty	
26	AK-014	Spring Release	1
27	AK-013	Mag Release	1
28	AK-015	Pin, Pivot	1
29	C11-122	Spring, Trigger	1
30	AK-006	Feed Bar	1
31	C11-113	Housing, 4.5mm BB's	1
32	C11-125	Hammer (Nickel Plate)	1
33	AK-007	BB Pusher	1
34	C11-126	BB's Stopper	1
35	C11-120	Spring, BB's Stopper	1
36	AK-009	Trigger	1
37	R71-025	Grip Weight	1

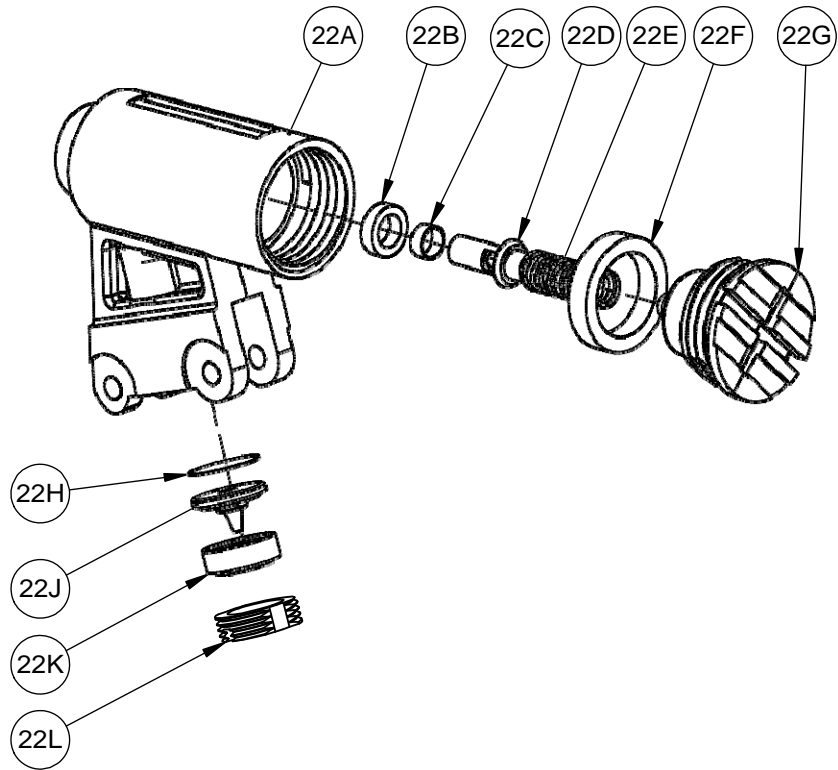
ASSEMBLIES			
4	AK-102	Rear Sight Assembly	1
17	AK-101	Stock Assembly	1
18	AK-105	Grip Assembly, Right	1
20	C11A008	CO2 Screw Assembly	1
22	AK-100	VALVE ASSEMBLY	1
25	AK-106	GRIP ASSEMBLY, LEFT	1

22	AK-100 VALVE ASSEMBLY		1
22A	AK-020	Valve	1
22B	C11A527	Valve Seal, Hytrel	1
22C	C11-533	Sleeve	1
22D	C11-522	Valve Stem, C11 (Nickel)	1
22E	C11-541	Spring, Valve	1
22F	C11-526	Seal, Cap	1
22G	C11A501	Valve Cap	1
22H	C11-525	Screen	1
22J	C11-532	Piercing Pin	1
22K	C11-528	Face Seal	1
22L	C11-503	Retaining Collar	1

7-CCA4B1 Unique Parts			
32	7-AK-037 (DETUNED)		

CCA4B1





ITEM 22, COMRADE AK VALVE ASSEMBLY			
ITEM	PART NUMBER	DESCRIPTION	QTY
22A	AK-020	Valve	1
22B	C11A527	Valve Seal, Hytrel	1
22C	C11-533	Sleeve	1
22D	C11-522	Valve Stem, C11 (Nickel)	1
22E	C11-541	Spring, Valve	1
22F	C11-526	Seal, Cap	1
22G	C11A501	Valve Cap	1
22H	C11-525	Screen	1
22J	C11-532	Piercing Pin	1
22K	C11-528	Face Seal	1
22L	C11-503	Retaining Collar	1