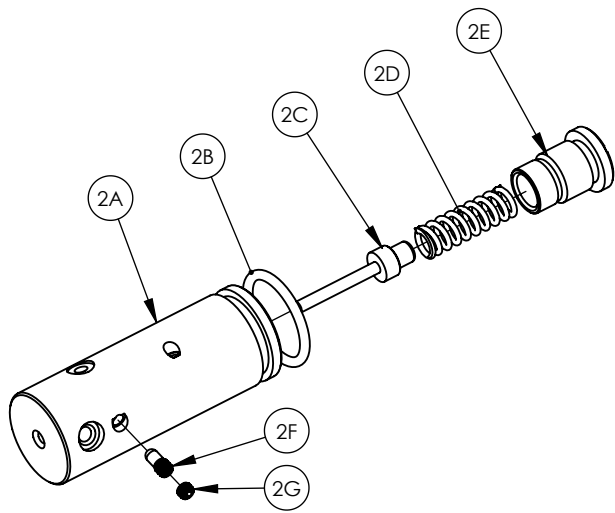
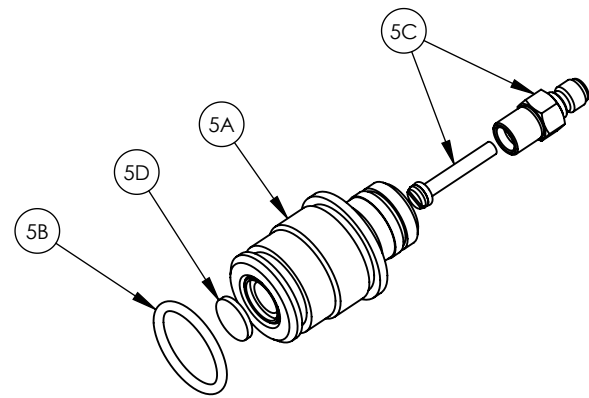


**MARAUDER II .177 AND .22 CALIBER RIFLES
MODELS BP1764S, BP1764W, BP2264S, BP2264W**



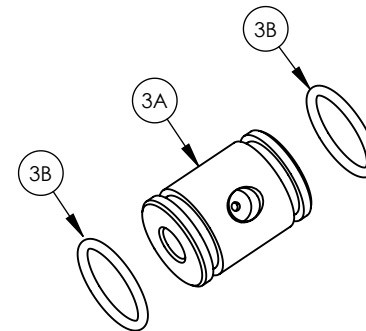
ITEM 2, VALVE ASSEMBLY

| ITEM NO. | PART NUMBER | DESCRIPTION | QTY. |
|----------|-------------|------------------------------|------|
| 2A | 1764-002 | VALVE BODY | 1 |
| 2B | 1763-026 | O-RING, AS568B-118 | 1 |
| 2C | 1700-140 | VALVE STEM, OVERMOLDED | 1 |
| 2D | 1764-034 | SPRING, VALVE | 1 |
| 2E | 1764-003 | VALVE CAP | 1 |
| 2F | 1763A028 | SCREW, VELOCITY ADJUSTMENT | 1 |
| 2G | 1763-059 | SET SCREW, 8-32 x 125, BRASS | 1 |



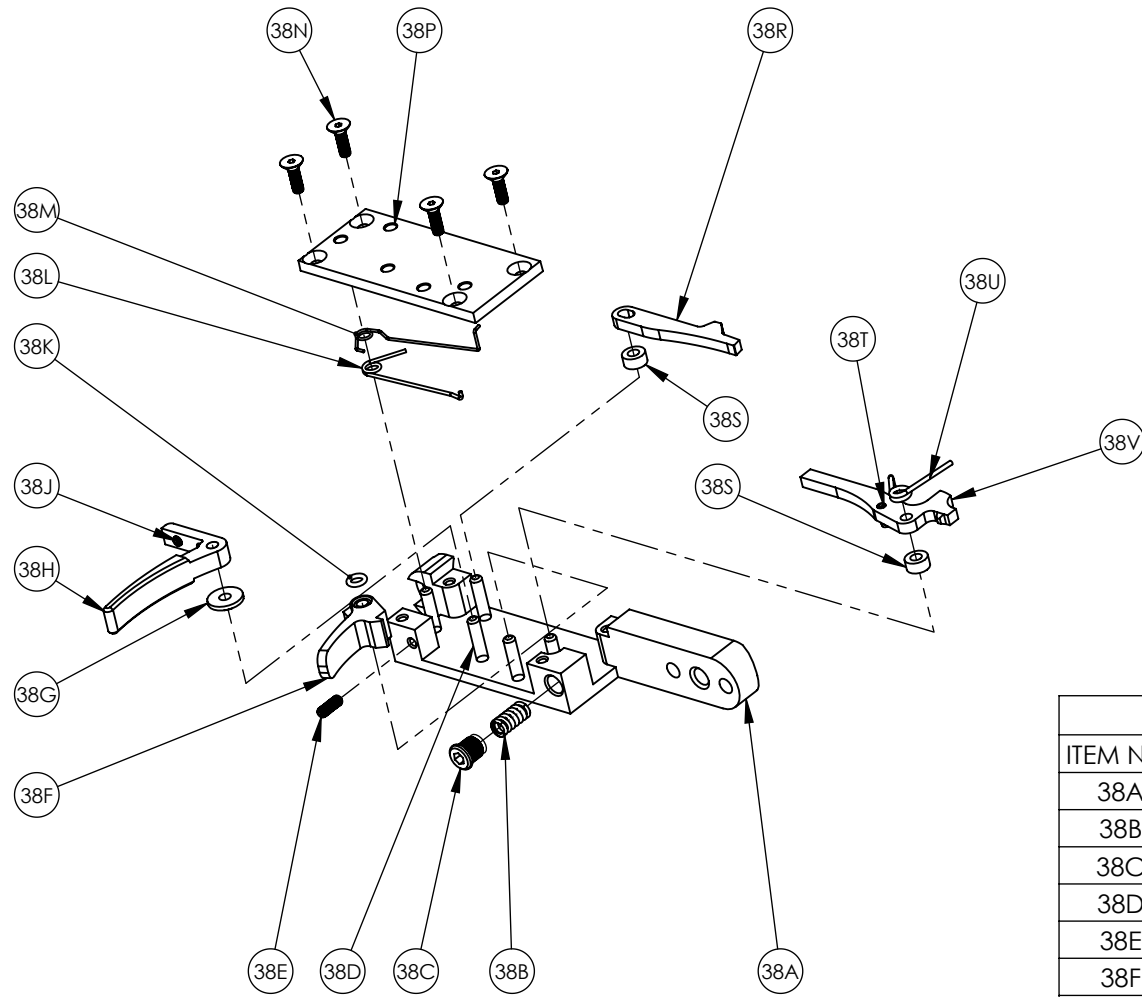
ITEM 5, FILL ADAPTER

| ITEM NO. | PART NUMBER | DESCRIPTION | QTY. |
|----------|-------------|-----------------------|------|
| 5A | 1763-018 | HOUSING, FILL ADAPTER | 1 |
| 5B | 1763-026 | O-RING, AS568B-118 | 1 |
| 5C | 1761-106 | NIPPLE, ADAPTER | 1 |
| 5D | NS1200-047 | SINTERED FILTER | 1 |



ITEM 3, GAUGE PORT

| ITEM NO. | PART NUMBER | DESCRIPTION | QTY. |
|----------|-------------|--------------------|------|
| 3A | 1763-016 | PORT, GAUGE | 1 |
| 3B | 1763-026 | O-RING, AS568B-118 | 2 |



ITEM 38, TRIGGER ASSEMBLY

| ITEM NO. | PART NUMBER | DESCRIPTION | QTY. |
|----------|-------------|-----------------------------------|------|
| 38A | 1764-040 | CASING, TRIGGER | 1 |
| 38B | 1763-050 | SPRING, TRIGGER LINK | 1 |
| 38C | 1763A053 | SCREW, 1/4-28 x .215, SOCKET HEAD | 1 |
| 38D | 10804 | PIN, DOWEL, .125 x .625 | 5 |
| 38E | 1763-055 | SET SCREW, 4-40 x .312, OV PT | 1 |
| 38F | 1764-043 | LEVER, SAFETY | 1 |
| 38G | 1763-049 | SPACER, DELRIN, .375x.126x.086 | 1 |
| 38H | 1763-042 | TRIGGER | 1 |
| 38J | 1763-054 | SET SCREW, 4-40 x .188, OV PT | 2 |
| 38K | 397-062 | SEAL, .177 BREECH O-RING | 1 |
| 38L | 1763-051 | SPRING, SAFETY | 1 |
| 38M | 1763-052 | SPRING, SEAR | 1 |
| 38N | 1763-056 | SCREW, 4-40 x .375, FHCS | 4 |
| 38P | 1764-041 | COVER, TRIGGER CASING | 1 |
| 38R | 1764-045 | SEAR | 1 |
| 38S | 1763-048 | SPACER, DELRIN, .25x.126x.123 | 2 |
| 38T | 1763-057 | ROLL PIN, .094 x .250 | 1 |
| 38U | 1763-065 | SPRING, TORSION, LINK | 1 |
| 38V | 1763B044 | LINK, TRIGGER | 1 |