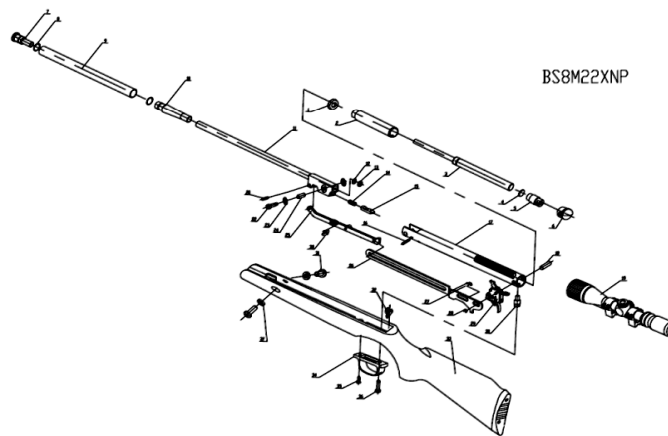


# BENJAMIN<sup>®</sup>

## EXPLODED VIEW & PARTS LIST

### Model BS8M22XNP Nitro Piston .22 cal Air Rifle



Last Update 11/13/12

CROSMAN CORPORATION  
7629 ROUTES 5 & 20  
BLOOMFIELD, NY 14469  
Phone: 1-800-724-7486  
Parts Order Fax: 585-657-5405

[www.crosman.com](http://www.crosman.com)

- This EVP and parts list is intended to be an informational guide in ordering parts. It is not instructional material and we therefore assume no responsibility for those who use the same without proper factory training.
- Please order by part number and description.
- Check or money order for the total price must accompany the order.
- For current prices contact Crosman Corporation at 1-800-724-7486 or visit our website [www.crosman.com](http://www.crosman.com)

Item	BAM Part Number	Description	BS8M22XNP	Revisional Date
1	B18-04-1A	Piston Seal	1	
2	BT9M22-03-100B	Piston	1	
3	BT9M22-00-5	gas spring	1	
4	BT9M22-00-7	Plain plate	1	
5	BT9M22-00-2	Back Spring Guide	1	
6	BT9M22-00-3	Tube Cover	1	
7	BT1500-01-1	Sleeve cover	1	
8	GB/T 3452.1-2005	O rings 15.5x1.8-G-S	2	
9	BT9M22-01-1	Sleeve	1	
10	BT9M22-01-2	Sleeve link	1	
11	BS8M22XNP-01-100A	Barrel Assembly	1	
12	B22-00-1	Adjust washer	0-2	
13	B12-00-14	Breach Seal	1	
14	B15-01-2A	Jam Spring	1	
15	BT9M22-01-5	Alive Jam	1	
16	BT9M22-00-4	Detent	1	
17	C8M22NP-02-00	Compression Tube Assembly	1	
18	B18-00-7	Fixed Pin	1	
19	4X32 CenterPoint 2	Scope	1	
20	B12-00-1B	Link Pin	1	
22	B19-2-00-2	Break Bolt	1	
23	B18-00-15A	Washer	2	
24	B18-01-1C	Bushing	1	
25	B18-07-00	Lever Assembly	1	
26	B18-00-5B	Bear Trap Lever	1	
27	B18-00-12A	Safety Spring	1	
28	GB896-86 3	E-Ring	1	
29	B18-05-00	Trigger Pack Assembly	1	
30	B18-00-9	Stock link pin	1	
31	GB/T 818-2000 M5x14	Pan Head Screws - nylok	2	
32	B19-2-00-1	Stock Lug Brace	1	
33	B19-7-04-00	Stock assembly	1	
34	B19-7-00-1	Trigger Guard	1	
35	GB847-85 ST3.5x16	Screw, Trigger Guard Front	1	
36	GB823-88 M6X20	Screw, Trigger Guard Rear- nylok	1	
37	GB/T97.1-2002 5	Plain Washers	2	
38	B22-00-13	Cover of lever	1	

BS8M22XNP

