



Model MR01
Mini Electronic Machine Gun
6mm Plastic BB
OWNER'S MANUAL
READ ALL INSTRUCTIONS AND WARNINGS IN THIS
MANUAL BEFORE USING THIS AIRSOFT GUN

Marine Corps trademarks used under license by Crosman Corporation.

Distributed by
 Crosman Corporation
 7629 Routes 5 & 20
 Bloomfield, NY 14469
 www.crosman.com
 1-800-7AIRGUN
 1-800-724-7486
 Made in Taiwan

MCMR01A515

WARNING: This is not a toy. Adult supervision is required. Misuse may cause serious injury, especially to the eye. Eye protection designed for airsoft guns must be worn by the user and any person in range. May be dangerous up to 100 yds. Read the owner's manual before using.

WARNING: Do not brandish or display this airsoft gun in public – it may confuse people and may be a crime. Police and others may think it is a firearm. Do not change the coloration and markings to make it look more like a firearm. That is dangerous and may be a crime.

WARNING: This product contains a chemical known to the state of California to cause cancer and birth defects (and other reproductive harm).

READ ALL INSTRUCTIONS AND WARNINGS IN THIS MANUAL BEFORE USING THIS AIRSOFT GUN.
 BUYER AND USER HAVE THE DUTY TO OBEY ALL LAWS ABOUT THE USE AND OWNERSHIP OF THIS AIRSOFT GUN.

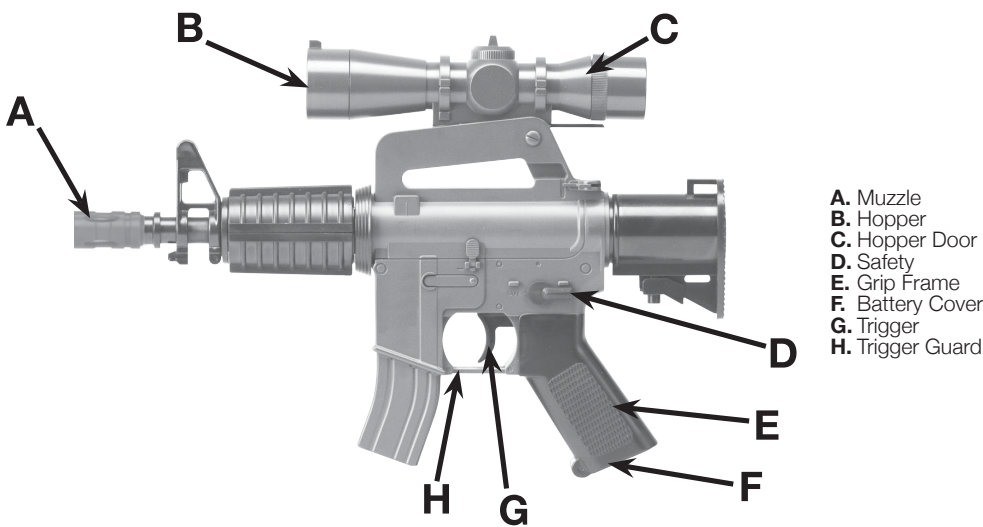
Recommend 18 years or older to purchase. Intended for use by those 16 or older.

Please read this owner's manual completely. Remember to treat this airsoft gun with the same respect you would a firearm. Always carefully follow the safety instructions found in this owner's manual and keep this manual in a safe place for future use.

If you have any questions regarding your new airsoft gun, please contact Crosman Customer Service at: 1-800-724-7486, 585-657-6161 or www.crosman.com.

1. Learning the Parts of Your New Airsoft Gun

Learning the names of the parts of your new airsoft gun will help you to understand your owner's manual. Use this manual to increase your enjoyment of this airsoft gun.



2. Operating the Safety

WARNING: Keep the airsoft gun in the "ON SAFE" position until you are actually ready to shoot. Then turn the safety to the "OFF SAFE" position.

2.1 To Put the Airsoft Gun "ON SAFE"

- The safety is located on the left hand side of the gun behind the trigger (fig. 2)
- This airsoft gun is "ON SAFE", unless safety is held in the fire position.

Like all mechanical devices, an airsoft gun safety can fail. Even when the safety is "ON SAFE", you should continue to handle the airsoft gun safely. NEVER point the airsoft gun at any person. NEVER point the airsoft gun at anything you do not intend to shoot.

2.2 To Take the Airsoft Gun "OFF SAFE"

- Locate the safety on the left hand side of the gun behind the trigger.
- Using your thumb push the safety down toward the fire and hold. The airsoft gun is now "OFF SAFE" and ready to fire.



You must continue to hold the safety in the "OFF SAFE" position while shooting

3. Installing the batteries

- The MR01 is run on 4 AA batteries (not included).
- To install the batteries, locate the battery cover on the bottom of the grip frame.
- Slide the cover lock back and pull cover open.
- Insert 4 AA batteries as shown (fig 3).
- Close battery cover, push down and slide cover lock back into place.

4. Loading and Unloading Plastic BBs.

WARNING: Use 6 mm plastic BBs only in this soft air gun. Use of any other ammunition can cause injury to you or damage to the soft air gun.

4.1 Loading Plastic BBs

DO NOT re-use plastic BBs because they could possibly cause damage to your airsoft gun.

- Make sure the airsoft gun is "ON SAFE" (step 2.1)
- Point the airsoft gun in a SAFE DIRECTION
- Slide forward the hopper door (fig. 4).
- Insert up to 250 6mm plastic BBs, shaking the gun slightly to help feed the BBs down in to the chamber.
- Close the hopper door.

WARNING: Never assume that because the soft air gun no longer fires a BB and/or the loading chamber is removed, that a BB is not lodged in the barrel. Always treat the soft air gun as though it is loaded and with the same respect you would a firearm.

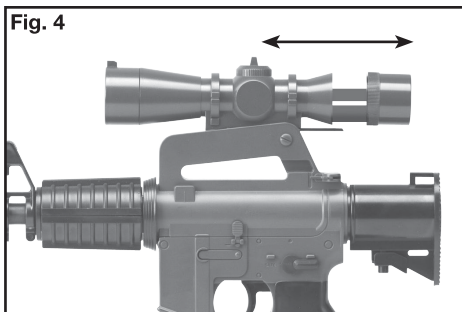
4.2 Unloading the Plastic BBs

Unloading without firing

- Make sure the airsoft gun is "ON SAFE" (step 2.1) and pointed in a SAFE DIRECTION.
- Slide the hopper door back.
- Turn the airsoft gun upside down.
- Gently shake until all plastic BBs have been emptied.
- Close the hopper door.

4.3 Unloading by Firing

- Make sure the airsoft gun is "ON SAFE" (step 2.1) and pointed in a SAFE DIRECTION.
- Your airsoft gun is fully automatic. It will continue to fire as you hold in the trigger.
- While holding the safety in the "OFF SAFE" position, squeeze and hold the trigger for continuous fire.
- When you are sure of your target and backstop, and the area around the target is clear, charge and load the airsoft gun following sections 3 and 4.
- Take the airsoft gun "OFF SAFE" (section 2.2) aim and pull the trigger to fire.



5. Aiming and Firing Safely

- You and others with you should always wear eye protection designed for airsoft to protect your eyes.
- Always point your airsoft gun in a SAFE DIRECTION.
- Do not shoot at hard surfaces or at the surface of water. The plastic BBs may bounce off or ricochet and hit someone or something you had not intended to hit.
- DO NOT re-use plastic BBs because they could possibly cause damage to your airsoft gun.
- Your airsoft gun is designed for target shooting and is suited for both indoor and outdoor use. Always remember to place your target carefully. THINK about what you will hit if you miss the target.
- Your airsoft gun is fully automatic. It will continue to fire as you hold in the trigger.

- While holding the safety in the "OFF SAFE" position, squeeze and hold the trigger for continuous fire.
- When you are sure of your target and backstop, and the area around the target is clear, load and charge the airsoft gun following sections 3 and 4. Take the airsoft gun "OFF SAFE" (section 2A) aim and pull the trigger to fire.

Note: The safety must be held in position for the airsoft gun to fire.

6. Maintaining Your Airsoft Gun

- DO NOT MODIFY OR ALTER YOUR AIRSOFT GUN. Attempts to modify the airsoft gun in any way inconsistent with this manual may make it unsafe to use, cause serious injury and will void the warranty.
- If you drop your airsoft gun, check to see that it works properly before you use it again. If anything seems changed, like a shorter or weaker trigger pull, this may mean worn out or broken parts. Call Customer Service at Crosman for assistance before using your airsoft gun again.

7. Trouble shooting/Increasing Your Shooting Enjoyment

- Occasionally shake the gun to ensure smooth BB feeding.
- Prevent dust and dirt from getting into the hopper to keep your Airsoft gun performing at its peak. If the efficiency of BB feeding seems to decrease, remove the hopper and BBs from feeding tube. Spray silicone oil for 1 to 2 seconds into the feeding chamber. (Note that the hop-up operation may become unstable for a while after using silicone oil).
- Change the batteries if firing cycle becomes slow.
- Allow the airsoft gun to cool for 5 to 10 minutes after about 500 BBs have been fired.
- If you airsoft gun jams, do not continue to fire. NEVER TRY TO CLEAR THE BARREL BY FIRING ANOTHER ROUND.
 - Place the gun "ON SAFE".
 - Turn your gun upside down, being sure that it is pointed in a safe direction.
 - If your gun has adjustable hop up, turn it off.
 - Insert clearing rod with angled tip positioned so that it will push jammed BB back into hopper or magazine.
 - After the BB has cleared, test fire the gun without ammo.

NEVER TRY TO CLEAR THE BARREL BY FIRING ANOTHER ROUND.

8. Reviewing Safety

- Do not ever point the airsoft gun at any person. Do not ever point the airsoft gun at anything you do not intend to shoot.
- Always treat the airsoft gun as though it is loaded and with the same respect you would a firearm.
- Always aim in a SAFE DIRECTION. Always keep the muzzle of the airsoft gun pointed in a SAFE DIRECTION.
- Always keep the airsoft gun "ON SAFE" until you are ready to shoot in a SAFE DIRECTION.
- Always check to see if the airsoft gun is "ON SAFE" and unloaded when getting it from another person or from storage.
- Always keep your finger off the trigger and out of the trigger guard until ready to shoot.
- You and others with you should always wear eye protection to protect your eyes.
- Always wear eye protection designed for airsoft over your regular glasses.
- Use 6 mm plastic BBs only.
- Do not reuse plastic BBs because they could cause possible damage to your airsoft gun.
- Do not shoot at hard surfaces or at the surface of water. The plastic BBs may bounce off or ricochet and hit someone or something you had not intended to hit.
- Replace the backstop if it becomes worn. Place the backstop in a location that will be safe should the backstop fail.
- Your backstop should be checked for wear before and after each use. All backstops are subject to wear and will eventually fail. Replace your backstop if the surface is worn or damaged or if a ricochet occurs.
- Do not attempt to disassemble or tamper with your airsoft gun.
- DO NOT MODIFY OR ALTER YOUR AIRSOFT GUN. Attempts to modify the airsoft gun in any way may make your airsoft gun unsafe to use, cause serious injury or death and will void the warranty.
- Using unauthorized repair centers or modifying the function of your airsoft gun in any way may be unsafe and will void your warranty.
- Do not put the airsoft gun away loaded. Make sure ALL of the plastic BBs are unloaded from the airsoft gun.
- Always store this airsoft gun in a secure location.

SPECIFICATIONS

Mechanism/Action	Electronic
Caliber/Ammunition	6mm plastic BBs
Reservoir	Up to 250 6mm BBs
Weight	12 oz. (.37 kg)
Overall Length	11.75 in.
Barrel	Smooth
Safety	Lever
Velocity	Up to 150 fps (45.72 m/s)

PERFORMANCE: Many factors can affect velocity, including brand of projectile, type of projectile and barrel condition.

DO NOT RETURN THIS PRODUCT TO THE STORE.

Our friendly customer service representatives will be glad to help. You can get answers to frequently asked questions at www.crosman.com or you can contact us directly at 1-800-7AIRGUN (1-800-724-7486)

CUSTOMER SERVICE

If your airsoft gun is not functioning, we recommend that you call Crosman Corporation Customer service at 1-800-724-7486 or 585-657-6161. (International customers should contact their distributor.) DO NOT ATTEMPT TO DISASSEMBLE IT! If you take it apart you probably will not be able to reassemble it correctly. Crosman assumes no warranty responsibility under such circumstances.

For optimum performance use Crosman ammunition only. Using other than Crosman branded ammunition may cause your product to malfunction and may void your warranty.

LIMITED 30 DAY WARRANTY

This product is warranted to the retail consumer for 30 days from date of retail purchase against defects in material and workmanship and is transferable.

WHAT IS COVERED

Replacement parts and labor. Transportation charges to consumer for repaired product.

WHAT IS NOT COVERED

Transportation charges to Crosman for product. Damages caused by abuse, modification or failure to perform normal maintenance. Any other expense. CONSEQUENTIAL DAMAGES, INCIDENTAL DAMAGES, OR INCIDENTAL EXPENSES, INCLUDING DAMAGE TO PROPERTY. SOME STATES DO NOT ALLOW THE EXCLUSION OR LIMITATION OF INCIDENTAL OR CONSEQUENTIAL DAMAGES, SO THE ABOVE LIMITATION OR EXCLUSION MAY NOT APPLY TO YOU.

WARRANTY CLAIMS

USA Customers: Attach your name, address, description of problem, phone number and copy of sales receipt to product. Package and return to Crosman Corporation, Routes 5 & 20, Bloomfield, NY 14469.

International Customers: Please return product to your nearest distributor. If you do not know your distributor, please call 585-657-6161 and ask for our International Department for assistance.

IMPLIED WARRANTIES

ANY IMPLIED WARRANTIES, INCLUDING THE IMPLIED WARRANTIES OF MERCHANTABILITY AND FITNESS FOR A PARTICULAR PURPOSE, ARE LIMITED IN DURATION TO 30 DAYS FROM DATE OF RETAIL PURCHASE. SOME STATES DO NOT ALLOW LIMITATIONS ON HOW LONG AN IMPLIED WARRANTY LASTS, SO THE ABOVE LIMITATIONS MAY NOT APPLY TO YOU.

To the extent any provision of this warranty is prohibited by federal, state, or municipal law which cannot be preempted, it shall not be applicable. This warranty gives you specific legal rights, and you may also have other rights which vary from state to state.

CROSMAN is a registered trademark of Crosman Corporation in the United States.

Check out our complete line of Marine Corps airsoft products at marinesairsoft.com
 For more information about the Marine Corps and becoming a Marine, visit marines.com
 Officially Licensed Product of the United States Marine Corps, www.marines.com and 1.800.marines.



Modelo Pulse MR01 Miniametralladora Electrónica Municiones de plástico de 6 mm MANUAL DEL PROPIETARIO

LEA TODAS LAS INSTRUCCIONES Y ADVERTENCIAS EN ESTE MANUAL ANTES DE USAR ESTA ARMA DE AIRE COMPRIMIDO SUAVE

Marcas registradas de la Infantería de Marina usadas por Crosman bajo licencia.

Distribuido por
Crosman Corporation
7629 Routes 5 & 20
Bloomfield, NY 14469
www.crosman.com
1-800-7AIRGUN
1-800-724-7486
Hecho in Taiwan

ADVERTENCIA: No es un juguete. Es necesaria la supervisión de un adulto. El uso inadecuado puede causar lesiones graves, en particular a los ojos. El usuario y todas las personas que estén al alcance del arma deben llevar protección para los ojos diseñada para armas de aire suave. Puede ser peligroso hasta a 91.5 metros (100 yardas). Por favor, lea el manual del usuario antes de usar el arma.

ADVERTENCIA: No blanda ni muestre esta arma de aire suave en público, puede confundir a la gente y podría ser delito. La policía y otras personas pueden pensar que se trata de un arma de fuego. No cambie la coloración o las marcas de modo que tenga un mayor parecido con un arma de fuego. Es peligroso y podría tratarse de un delito.

ADVERTENCIA: Este producto contiene un producto químico conocido en el estado de California como causante de cáncer y defectos congénitos (y otros daños reproductivos).

USTED Y LAS DEMÁS PERSONAS DEBEN USAR SIEMPRE PROTECCIÓN OCULAR PARA PROTEGER SUS OJOS.

LEA TODAS LAS INSTRUCCIONES Y ADVERTENCIAS DE ESTE MANUAL ANTES DE USAR ESTA ARMA DE AIRE SUAVE.

EL COMPRADOR Y EL USUARIO TIENEN EL DEBER DE OBEDECER TODAS LAS LEYES RELATIVAS AL USO Y PROPIEDAD DE ESTA ARMA DE AIRE SUAVE.

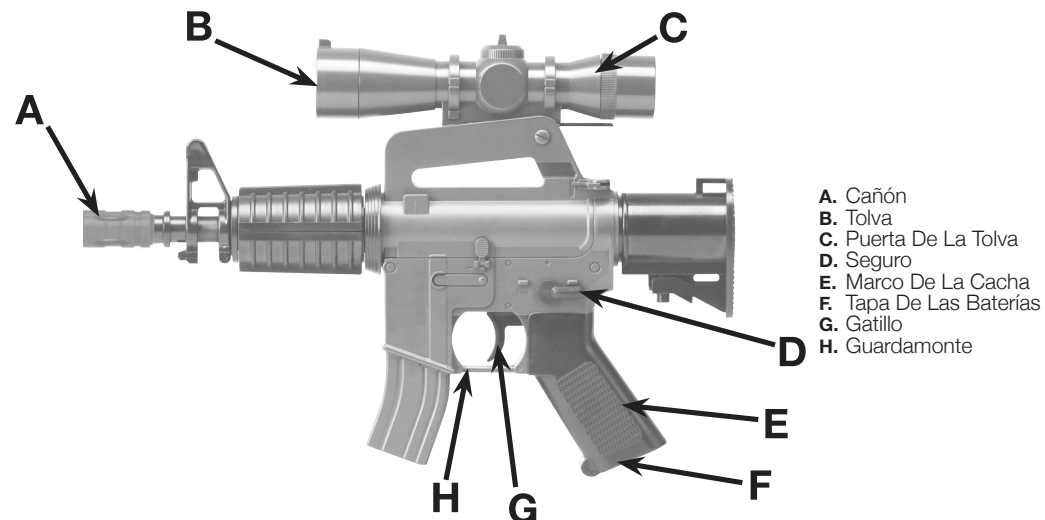
Se recomienda que la persona tenga 18 años o más para comprarla.
Diseñada para ser usada por personas de 16 años de edad o mayores.

Por favor, lea por completo este manual del usuario. Recuerde tratar esta arma de aire suave con el mismo respeto que le tendría a un arma de fuego. Siempre siga cuidadosamente las instrucciones de seguridad que se encuentran en este manual del propietario y consérvelo en lugar seguro para utilizarlo en el futuro.

Si tiene preguntas sobre su nueva arma de aire suave, comuníquese con Servicio al Cliente de Crosman al: 1-800-724-7486, 585-657-6161 o www.crosman.com.

1. Aprender Las Partes De Su Nueva Arma De Aire Suave.

Aprenderse los nombres de las partes de su nueva arma de aire suave le ayudará a entender su manual del propietario. Use este manual para aumentar su disfrute de esta arma de aire suave.



2. Comment Utiliser Le Cran De Sûreté

ADVERTENCIA: Mantenga el rifle de aire suave en posición de "ON SAFE" (seguro activado) hasta que esté efectivamente listo para disparar. Entonces empuje el seguro a la posición "OFF SAFE" (Seguro desactivado).

2.1 Para Activar El Seguro Del Arma De Aire Suave ("On Safe")

- El seguro se encuentra del lado izquierdo del arma, detrás del gatillo (fig. 2)
- Esta arma de aire suave tiene el seguro activado ("ON SAFE"), a menos que el seguro se sostenga en la posición de disparo.

Como todos los dispositivos mecánicos, el seguro de un arma de aire suave puede fallar. Incluso con el seguro activado ("ON SAFE"), debe seguir manipulando con seguridad el arma de aire suave. NUNCA apunte el arma de aire suave a ninguna persona. NUNCA apunte el arma de aire suave a nada a lo que no tenga intención de dispararle.

2.2 Para Desactivar El Seguro Del Arma De Aire Suave ("OFF SAFE")

- Encuentre el seguro del lado izquierdo del arma, detrás del gatillo.
- Con el pulgar, empuje el seguro hacia abajo hacia la "F" y sosténgalo. El arma de aire suave tiene ahora el seguro desactivado ("OFF SAFE") y está lista para disparar.

Debe continuar sosteniendo el seguro en posición de desactivado ("OFF SAFE") mientras esté disparando

3. Instalación De Las Baterías

- El MR01 funciona con 4 baterías AA (no incluidas).
- Para instalar las baterías, encuentre la tapa de las baterías en la parte inferior del marco de la cacha.
- Deslice hacia atrás el seguro de la tapa y tire de ésta para abrirla.
- Instale 4 baterías AA como se muestra (fig. 3).
- Cierre la tapa de las baterías, empujela hacia abajo y deslice el seguro de la tapa de nuevo a su sitio.

4. Carga Y Descarga De Las Municiones De Plástico

ADVERTENCIA: Use solamente municiones de plástico de 6 mm en esta arma de aire suave. El uso de cualquier otro tipo de munición puede causarles lesiones o dañar el arma de aire.

4.1 Carga De Las Municiones De Plástico

NO reutilice las municiones de plástico, ya que podrían causarles daños a su arma de aire suave.

- Asegúrese de que el arma de aire suave tenga el seguro activado ("ON SAFE") (paso 2.1)
- Apunte el arma de aire suave en una DIRECCIÓN SEGURA
- Deslice hacia delante la puerta de la tolva (fig. 4).
- Introduzca hasta 250 municiones de plástico de 6 mm, sacudiendo ligeramente el arma para ayudar a alimentar las municiones a la recámara.
- Cierre la puerta de la tolva.

ADVERTENCIA: Nunca parta de la base de que, debido a que el rifle de aire suave ya no dispara una munición o se ha quitado el cargador, no hay una munición alojada en el cañón. Siempre trate el rifle de aire suave como si estuviera cargado y con el mismo respeto que le tendría a un arma de fuego.

4.2 Descarga De Las Municiones De Plástico

Descargar sin disparar

- Cuide que el arma de aire suave tenga el seguro activado ("ON SAFE") (paso 2.1) y que esté apuntado en una DIRECCIÓN SEGURA.
- Deslice hacia delante la puerta de la tolva.
- Gire el arma de aire suave boca abajo.
- Sacuda suavemente hasta que hayan salido todas las municiones de plástico.
- Cierre la puerta de la tolva.

4.3 Descargar Disparando

- Cuide que el arma de aire suave tenga el seguro activado ("ON SAFE") (paso 2.1) y que esté apuntado en una DIRECCIÓN SEGURA.
- Su arma de aire suave es totalmente automática. Seguirá disparando mientras usted mantenga oprimido el gatillo.
- Sosteniendo el seguro en la posición "OFF SAFE" (desactivado), mantenga oprimido el gatillo para disparar continuamente.
- Cuando esté seguro de su blanco y respaldo, y no haya gente en el área alrededor del blanco, cargue y amartille el arma de aire suave siguiendo las secciones 3 y 4. Desactive el seguro del arma de aire suave (póngalo en "OFF SAFE") (sección 2.2), apunte y tire del gatillo para disparar.

5. Apuntar Y Disparar Con Seguridad

- Usted y las demás personas deben siempre usar protección ocular diseñada para armas de aire suave con objeto de proteger sus ojos.
- Siempre apunte su arma de aire suave en una DIRECCIÓN SEGURA.
- No dispare a superficies duras o a la superficie del agua. Las municiones de plástico pueden rebotar y golpear a alguien o algo que usted no tenía intención de golpear.
- NO reutilice las municiones de plástico, ya que podrían causarle

daños a su arma de aire suave.

- Su arma de aire suave está diseñada para tiro al blanco y es adecuada para usarse bajo techo o al aire libre. Recuerde siempre colocar su blanco con cuidado. PIENSE en lo que puede golpear si no atina al blanco.
- Su arma de aire suave es totalmente automática. Seguirá disparando mientras usted mantenga oprimido el gatillo.
- Sosteniendo el seguro en la posición "OFF SAFE" (desactivado), mantenga oprimido el gatillo para disparar continuamente.
- Cuando esté seguro de su blanco y respaldo, y no haya gente en el área alrededor del blanco, cargue y amartille el arma de aire suave siguiendo lo indicado en las secciones 3 y 4. Desactive el seguro del arma de aire suave (póngalo en "OFF SAFE") (sección 2A), apunte y tire del gatillo para disparar.

Nota: El seguro debe sostenerse en posición para que dispare el arma de aire suave.

6. Mantenimiento De Su Arma De Aire Suave

- NO MODIFIQUE NI ALTERE SU ARMA DE AIRE SUAVE. Los intentos de modificar el arma de aire suave de cualquier forma que no esté indicada en este manual pueden hacer que su uso sea inseguro, ocasionar graves lesiones y anularán la garantía.
- Si el arma de aire suave cae, compruebe visualmente que funcione correctamente antes de volverla a usar. Si parece que cualquier cosa ha cambiado, como que el gatillo esté más corto o más suave, puede ser indicación de piezas desgastadas o rotas. Llame a Servicio al Cliente de Crosman para obtener ayuda antes de volver a usar su arma de aire suave.

7. Resolución de problemas/Aumento de su disfrute al disparar

- Sacuda ocasionalmente el rifle para asegurar la alimentación fácil de las municiones.
- Evite que entren polvo y suciedad en la tolva, para mantener el desempeño óptimo de su arma de aire suave. Si parece disminuir la eficiencia de la alimentación de municiones, extraiga todas las municiones del tolva y rocíe aceite de silicona durante 1 ó 2 segundos en el interior de la cámara de alimentación. (Tenga presente que la operación de hop-up puede hacerse inestable durante un tiempo después de usar el aceite de silicona).
- Cambie las baterías si el ciclo de disparo se hace lento.
- Deje enfriar el arma de aire suave durante 5 a 10 minutos después de haber disparado 500 municiones.
- Si se atasca su arma de aire suave, no siga disparando. NUNCA INTENTE DESATASCAR EL CAÑÓN DISPARANDO OTRO TIRO.
 - o Active el seguro del arma ("ON SAFE").
 - o Ponga el arma de cabeza, asegurándose de que esté apuntada en una dirección segura.
 - o Si su arma tiene hop up ajustable, desactívelo.
 - o Inserte una baqueta de limpieza con la punta en ángulo posicionada de tal modo que empuje la munición atorada de vuelta a la tolva o al cargador.
 - o Después de haber retirado la munición, haga un tiro de prueba sin munición.

8. Revisión De La Seguridad

- Nunca apunte el arma de aire suave a una persona. Nunca apunte con el arma de aire suave a nada a lo que no tenga intención de dispararle.
- Siempre trate el arma de aire suave como si estuviera cargada y con el mismo respeto que le tendría a un arma de fuego.
- Apunte siempre en una DIRECCIÓN SEGURA. Mantenga siempre el cañón del arma de aire suave apuntado en una DIRECCIÓN SEGURA.
- Mantenga siempre el arma de aire suave en la posición "ON SAFE" (seguro activado) hasta que esté listo para disparar en una DIRECCIÓN SEGURA.
- Siempre compruebe que el arma de aire suave tenga el seguro activado ("ON SAFE") y esté descargada al recibirla de otra persona o al sacarla después de estar guardada.
- Mantenga siempre el dedo apartado del gatillo y fuera del guardamonte hasta que esté listo para disparar.
- Usted y las demás personas deben usar siempre protección ocular para proteger sus ojos.
- Use siempre sobre sus gafas protección ocular diseñada para armas de aire suave.
- Use solamente municiones de plástico de 6 mm.
- No reutilice las municiones de plástico, ya que podrían causarles daños a su arma de aire suave.
- No dispare a superficies duras o a la superficie del agua. Las municiones de plástico pueden rebotar y golpear a alguien o algo que usted no tenía intención de golpear.
- Reemplace el respaldo si se desgasta. Coloque el respaldo en un lugar que sea seguro en caso de que falle el respaldo.
- Debe revisarse el desgaste del respaldo antes y después de cada uso. Todos los respaldos se desgastan y con el tiempo dejarán de servir. Reemplace el respaldo si la superficie está desgastada o dañada, o si rebota la munición.
- No intente desarmar su arma de aire suave ni la manipule indebidamente.
- NO MODIFIQUE NI ALTERE SU ARMA DE AIRE SUAVE. Los intentos de modificar el arma de aire suave de cualquier forma pueden hacer que no sea seguro usarla, ocasionar graves lesiones o la muerte, y anular la garantía.
- El uso de centros de reparaciones no autorizados o la modificación de las funciones de su arma de aire suave en cualquier forma puede ser inseguro y anulará la garantía.
- No guarde cargada el arma de aire suave. Asegúrese de que TODAS las municiones de plástico se hayan descargado del arma de aire suave.
- Siempre almacene esta arma de aire suave en un sitio seguro.

ESPECIFICACIONES

Mecanismo/Acción	Electrónico
Calibre/Municiones	Municiones de plástico de 6 mm
Depósito	Hasta 250 municiones de 6 mm
Peso	12 onzas (.37 kg)
Longitud total	11.75 pulgadas
Cañón	Liso
Seguro	Palanca
Velocidad	Hasta 45.72 m/s (150 fps)

DESEMPEÑO: Muchos factores pueden afectar la velocidad, como la marca del proyectil, el tipo de proyectil y las condiciones del cañón.

NO DEVUELVA ESTE PRODUCTO A LA TIENDA.

Nuestros amables representantes de servicio al cliente le ayudarán con gusto. Puede obtener respuestas a preguntas frecuentes en www.crosman.com o puede comunicarse con nosotros directamente al 1-800-7AIRGUN (1-800-724-7486)

SERVICIO AL CLIENTE

Si su arma de aire suave no funciona, le recomendamos que llame a Servicio al Cliente de Crosman Corporation al 1-800-724-7486 o al 585-657-6161. (Los clientes internacionales deben ponerse en contacto con su distribuidor.) ¡NO INTENTE DESARMARLA! Si la desarma, probablemente no podrá volver a armarla correctamente. Crosman no asume ninguna responsabilidad de garantía bajo tales circunstancias.

Para disfrutar de un rendimiento óptimo, use solamente municiones Crosman. El uso de munición de marca distinta de las de Crosman puede hacer que su producto falle y puede anular su garantía.

GARANTÍA LIMITADA POR 30 DÍAS

Este producto está garantizado para el comprador al menudeo durante 30 días a partir de la fecha de compra al menudeo contra defectos en materiales y mano de obra, y es transferible.

QUÉ ESTÁ CUBIERTO

Refacciones y mano de obra. Cargos del transporte del producto reparado al consumidor.

QUÉ NO ESTÁ CUBIERTO

Cargos de transporte del producto a Crosman. Los daños ocasionados por mal uso, modificación o negligencia en la realización del mantenimiento normal. Cualquier otro gasto. DAÑOS CONSECUENCIALES O INCIDENTALES, O GASTOS INCIDENTALES, INCLUIDOS LOS DE DAÑOS A LA PROPIEDAD. ALGUNOS ESTADOS NO PERMITEN LA EXCLUSIÓN O LIMITACIÓN DE DAÑOS INCIDENTALES O CONSECUENCIALES, DE MODO QUE ES POSIBLE QUE SE LE LIMPIQUEN A USTED.

RECLAMACIONES POR GARANTÍA

Cientes de los EE.UU.: Adjunte al producto su nombre, dirección, descripción del problema, número telefónico y una copia del recibo de ventas. Empáquelo y devuélvalo a Crosman Corporation, Routes 5 & 20, Bloomfield, NY 14469.

Cientes internacionales: Devuelva el producto a su distribuidor más cercano. Si no conoce a su distribuidor, llame al 585-657-6161 y pida hablar con nuestro Departamento Internacional (International Department) para obtener ayuda.

GARANTÍAS IMPLÍCITAS

CUALQUIER GARANTÍA IMPLÍCITA, INCLUIDAS LAS GARANTÍAS IMPLÍCITAS DE COMERCIABILIDAD Y ADECUACIÓN PARA UN PROPÓSITO EN PARTICULAR, TIENEN UNA DURACIÓN LIMITADA DE 30 DÍAS A PARTIR DE LA FECHA DE LA COMPRA AL MENDUEO. ALGUNOS ESTADOS NO PERMITEN LIMITACIONES SOBRE LA DURACIÓN DE UNA GARANTÍA IMPLÍCITA, DE MODO QUE ES POSIBLE QUE LAS LIMITACIONES ANTES INDICADAS NO SE LE APLIQUEN A USTED.

En la medida en que cualquier disposición de esta garantía esté prohibida por leyes federales, estatales o municipales, que no pueda adelantarse, no será aplicable. Esta garantía le otorga derechos legales concretos y es posible que tenga también otros derechos que varían según el estado.

CROSMAN es una marca comercial registrada de Crosman Corporation en los Estados Unidos.

Conozca nuestra línea completa de productos airosoft de la Infantería de Marina en marineairsoft.com. Para obtener más información sobre la Infantería de Marina y sobre cómo formar parte de este cuerpo, visite marines.com. Producto autorizado oficialmente por la Infantería de Marina de Estados Unidos, www.marines.com y 1.800.marines.

