

BENJAMIN®

EXPLODED VIEW & PARTS LIST

Marauder BP2563 (.25cal) PCP Rifle



Manufacture Start Date: 3/11/10

Last Update: 4/12/12

CROSMAN CORPORATION
7629 ROUTES 5 & 20
BLOOMFIELD, NY 14469
Phone: 1-800-724-7486
Parts Order Fax: 585-657-5405
www.crosman.com

- This EVP and parts list is intended to be an informational guide in ordering parts. It is not instructional material and we therefore assume no responsibility for those who use the same without proper factory training.
- Please order by part number and description.
- Check or money order for the total price must accompany the order.
- For current prices contact Crosman Corporation at 1-800-724-7486 or visit our website www.crosman.com

PART LIST 2563-999
 Manufacture Start Date: 3/11/10

PART NUMBER	DESCRIPTION	
1	1763-001	Tube, Pressure
2	2563-100	Valve Assembly (pg.4)
3	1763-101	Fill Adapter Assembly (pg.4)
4	1763-103	Stock Assembly
5	1763-104	Gauge Port Assy. (pg.4)
6	1763A105	Trigger Assy. (pg.5)
7	1763-106	Plunger Assembly
8	2563-004	Breech, .25 Cal
9	2563-102	Bolt Assy, .25 Cal
10	106-005	O-Ring, #2-010
11	1761A023	O-Ring, #2-009
12	2563-001	Barrel, .25 Cal.
13	1763-012	Cap, Pressure Tube
14	1763-005	Shroud, Barrel
15	2563-008	Barrel Band
16	2563-061	O-Ring, #2-022
17	1763-011	Cap, Fill Nipple
18	2563-010	Cap, Shroud
19	2563-014	Sleeve, Transfer
20	2563-013	Mount, Shroud
21	1763-023	Set Screw
22	1763-033	Gauge, 3000 Psi
23	1761A017	Adapter, Gauge
24	1763-025	Bushing, Bolt Latch
25	1763-019	Screw, 10-32 X .25, SHCS
26	1763-022	Screw, 8-32 X .188, SHCS
27	1763-024	Screw, 8-32 X .500, SHCS
28	2563-020	Spacer, Barrel Shroud
29	1763-009	Spring, Hammer
30	130-036	Breech Gasket
31	2563-060	Baffle
32	1763-035	Screw, 8-32 X .437 BHCS
33	1763-029	Screw, 1/4-20 X 1.0 SHCS
34	1763-038	Guide, Hammer Spring
35	JTX-080	O-Ring, 2-113
36	JTX-080	O-Ring, 2-113
37	1763-027	Screw, 4-40 X 1.25
38	1763-021	Set Screw
39	397-036	O-Ring, #2-016, BUNA N

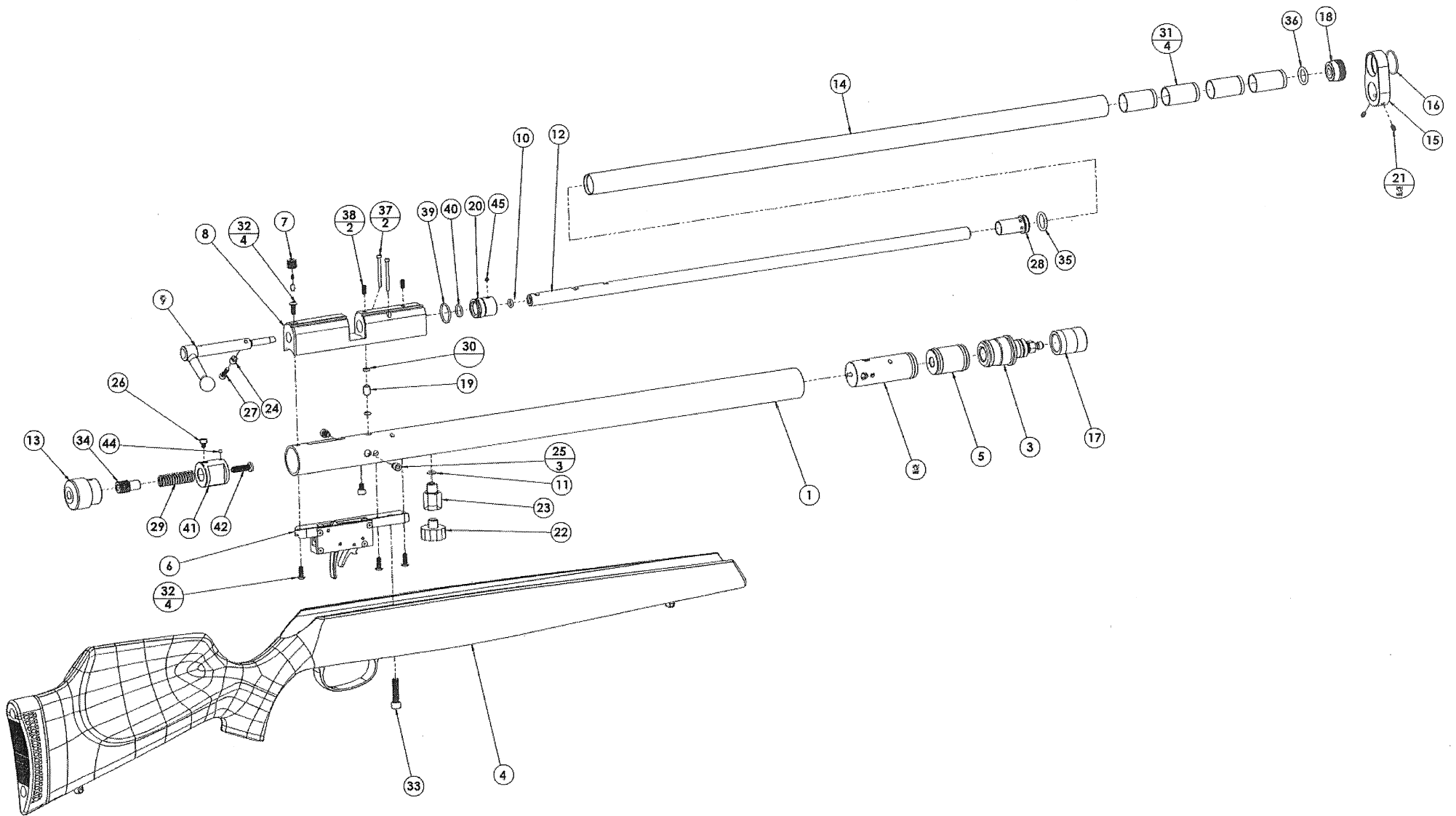
PART NUMBER	DESCRIPTION	
40	190B-008	O-Ring
41	1763A015	Hammer
42	1763A036	Striker
44	CH2009-023	Plug
45	88-089	Set Screw

Page 4 includes additional details on:

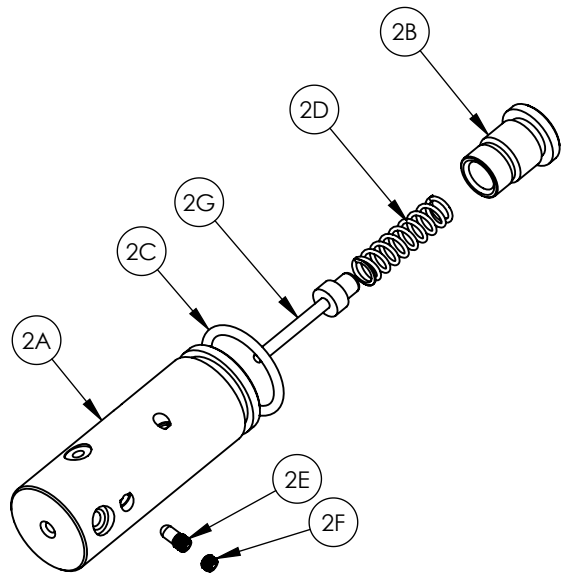
2	2563-100	Valve Assembly
3	1763-101	Fill Adapter Assembly
5	1763-104	Gauge Port Assy.

Page 5 includes additional details on:

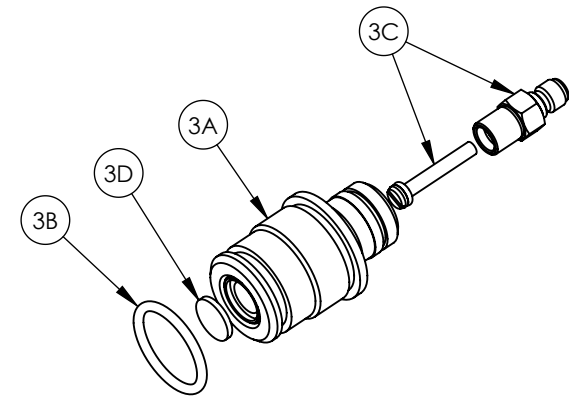
6	1763A105	Trigger Assy.
---	----------	---------------



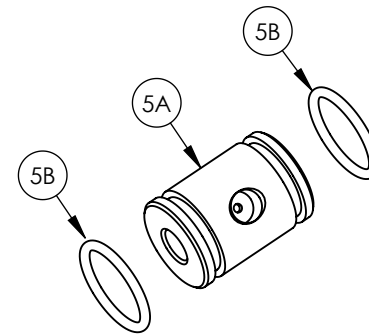
BP2563



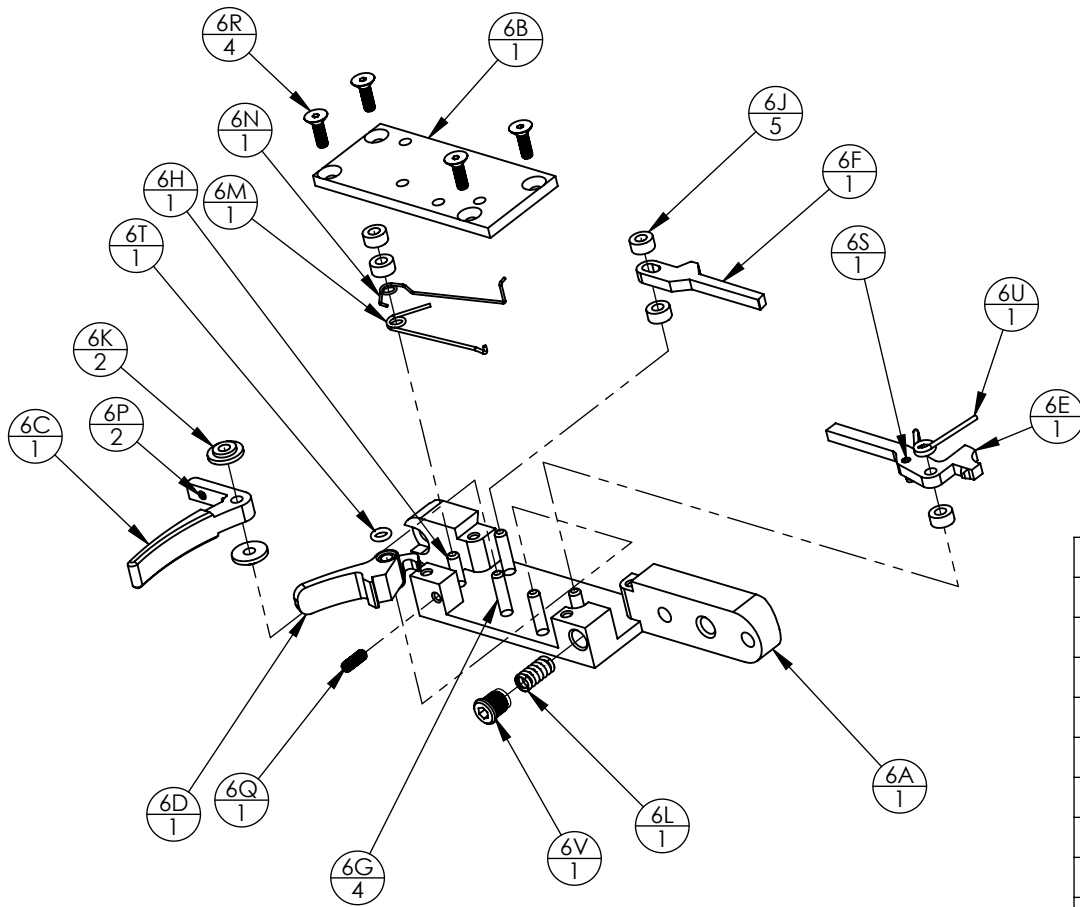
ITEM 2, VALVE ASSEMBLY			
ITEM NO.	PART NUMBER	DESCRIPTION	QTY.
2A	2563-002	VALVE BODY	1
2B	1763A003	VALVE CAP	1
2C	1763-026	O-RING, AS568B-118	1
2D	1763-034	SPRING, VALVE	1
2E	1763-028	SCREW, VELOCITY ADJUSTMENT	1
2F	1763-059	SET SCREW, 8-32 x 125, BRASS	1
2G	1763-140	VALVE STEM, OVERMOLDED	1



ITEM 3, FILL ADAPTER			
ITEM NO.	PART NUMBER	DESCRIPTION	QTY.
3A	1763-018	HOUSING, FILL ADAPTER	1
3B	1763-026	O-RING, AS568B-118	1
3C	1761-106	NIPPLE, ADAPTER	1
3D	NS1200-047	SINTERED FILTER	1



ITEM 5, GAUGE PORT			
ITEM NO.	PART NUMBER	DESCRIPTION	QTY.
5A	1763-016	PORT, GAUGE	1
5B	1763-026	O-RING, AS568B-118	2



ITEM 6, TRIGGER ASSEMBLY

ITEM NO.	PART NUMBER	DESCRIPTION	QTY.
6A	1763-040	CASING, TRIGGER	1
6B	1763-041	COVER, TRIGGER CASING	1
6C	1763-042	TRIGGER	1
6D	1763-043	LEVER, SAFETY	1
6E	1763B044	LINK, TRIGGER	1
6F	1763-045	SEAR	1
6G	10804	PIN, DOWEL, .125 x .625	4
6H	1763-047	PIN, DOWEL, .125 x .500	1
6J	1763-048	SPACER, DELRIN, .25x.126x.123	5
6K	1763-049	SPACER, DELRIN, .375x.126x.086	2
6L	1763-050	SPRING, TRIGGER LINK	1
6M	1763-051	SPRING, SAFETY	1
6N	1763-052	SPRING, SEAR	1
6P	1763-054	SET SCREW, 4-40 x .188, OV PT	2
6Q	1763-055	SET SCREW, 4-40 x .312, OV PT	1
6R	1763-056	SCREW, 4-40 x .375, FHCS	4
6S	1763-057	ROLL PIN, .094 x .250	1
6T	397-062	SEAL, .177 BREECH O-RING	1
6U	1763-065	SPRING, TORSION, LINK	1
6V	1763A053	SCREW, 1/4-28 x .215, SOCKET HEAD	1