

# BENJAMIN®

## EXPLODED VIEW & PARTS LIST

### B1500GP-P P Elite Powermaster

.177 (4.5mm) Caliber

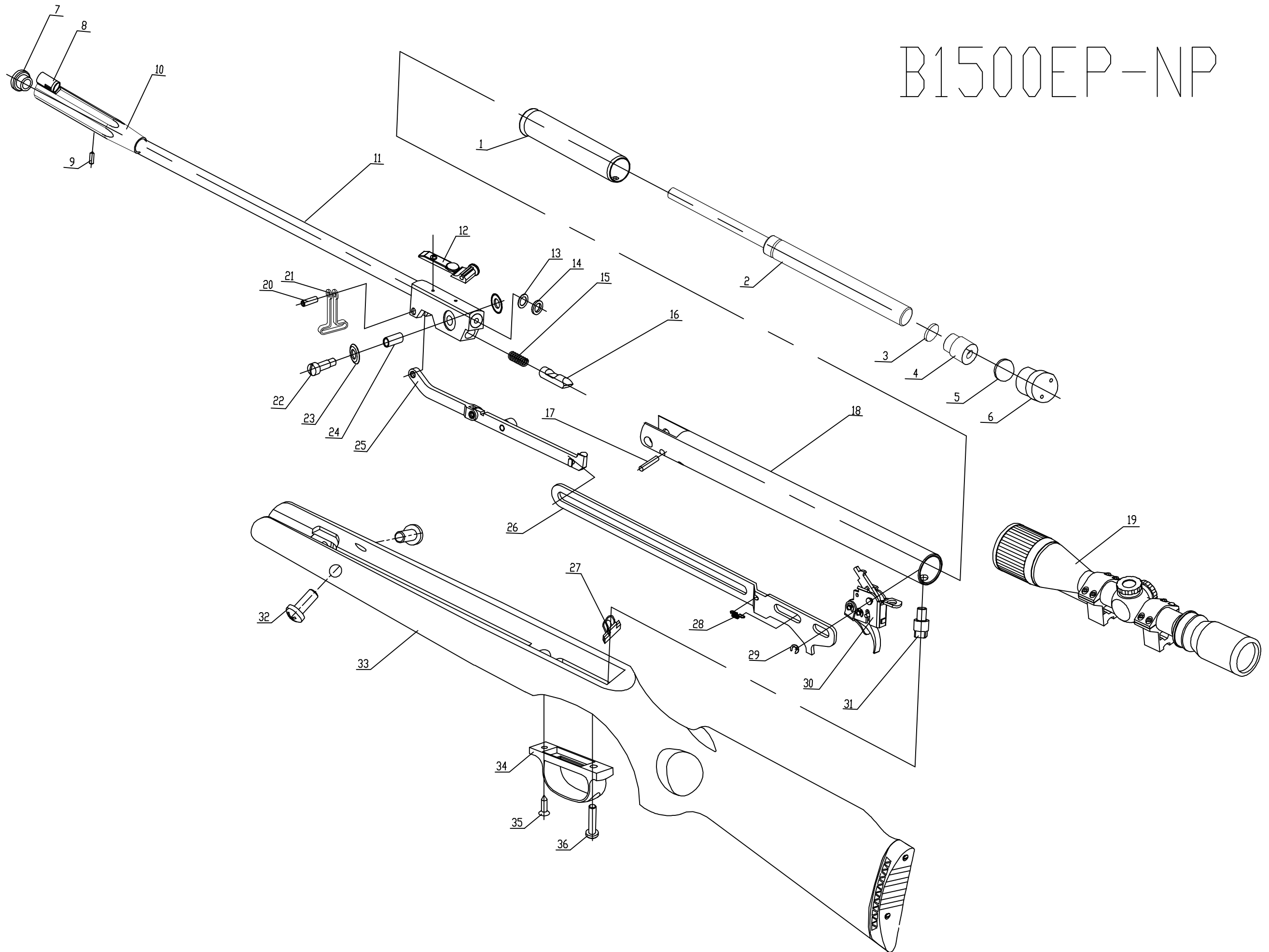
Last Update 11/3/11

CROSMAN CORPORATION  
7629 ROUTES 5 & 20  
BLOOMFIELD, NY 14469  
Phone: 1-800-724-7486  
Parts Order Fax: 585-657-5405

[www.crosman.com](http://www.crosman.com)

- This EVP and parts list is intended to be an informational guide in ordering parts. It is not instructional material and we therefore assume no responsibility for those who use the same without proper factory training.
- Please order by part number and description.
- Check or money order for the total price must accompany the order.
- For current prices contact Crosman Corporation at 1-800-724-7486 or visit our website [www.crosman.com](http://www.crosman.com)

B1500EP-NP



Item	BAM Part Number	Description	B1500EP-NP	Revisional Date
1	BT1500-02-00	Piston Assembly	1	02-04-10
2	BT1500-00-2	gas spring	1	
3	BT9M22-00-7	Plain plate	1	
4	BT1500-00-1	Back Spring Guide	1	
5	B22-00-8	Adjust washer	0-3	
6	B22-00-5	Tube Cover	1	
7	B22-00-2	Muzzle Break Cover	1	
8	B22-07-00	Front Sight	1	
9	GB/T77-2007 M5X5	Muzzle Break Screws	1	
10	B22-00-3	Muzzle Break	1	
11	B1500EP-NP-01-100	Barrel Assembly	1	
12	B20-02-00	Rear Sight	1	
13	BT1500-00-4	Adjust washer	0-3	
14	BT1500-00-3	Breach Seal	1	
15	B12-01-2A	Jam Spring	1	
16	B22-01-1	Alive Jam	1	
17	B22-00-9	Detent	1	
18	B22-03-00	Compression Tube Assembly	1	
19	3-9X40AO	Scope	1	
20	B22-00-11	Link Pin	1	
21	BT9M22-00-1	Slings mount	1	01-06-10
22	B22-00-12	Break Bolt	1	
23	B18-00-15A	Washer	2	
24	B22-01-4	Bushing	1	
25	BT1500-05-00	Lever Assembly	1	
26	B22-00-10A	Bear Trap Lever	1	
27	B19-2-00-1	Stock Lug Brace	1	
28	B18-00-12A	Safety Spring	1	
29	GB896-86 3	E-Ring	1	
30	B22-06-00	Trigger Pack Assembly	1	
31	B18-00-9	Stock link bolt	1	
32	GB/T 818-2000 M6×12	Pan Head Screws - nylok	2	
33	B1500EP-NP-02-00	Stock assembly	1	
34	B18-00-11A	Trigger Guard	1	
35	GB847-85 ST3.5×16	Screw, Trigger Guard Front	1	
36	GB823-88 M6X20	Screw, Trigger Guard Rear - nylok	1	