



# MODEL PG521 AIRSOFT GUN 6MM PLASTIC BB OWNER'S MANUAL

Distributed by  
Crosman Corporation  
7629 Routes 5 & 20  
East Bloomfield, NY 14443  
www.crosman.com  
1-800-724-7486  
Made in Hong Kong

PG521-515

**WARNING:** This is not a toy. Adult supervision is required. Misuse may cause serious injury, especially to the eye. Eye protection designed for airsoft guns must be worn by the user and any person in range. May be dangerous up to 100 yds. Read the owner's manual before using.

**WARNING:** Do not brandish or display this airsoft gun in public – it may confuse people and may be a crime. Police and others may think it is a firearm. Do not change the coloration and markings to make it look more like a firearm. That is dangerous and may be a crime.

NOTE: Charge the battery 9-10 hours prior to initial use. This airsoft gun will not operate properly without a fully charged battery. DO NOT OVERCHARGE THE BATTERY. UNPLUG THE BATTERY CHARGER WHEN NOT IN USE.

READ ALL INSTRUCTIONS AND WARNINGS IN THIS MANUAL BEFORE USING THIS AIRSOFT GUN.

BUYER AND USER HAVE THE DUTY TO OBEY ALL LAWS ABOUT THE USE AND OWNERSHIP OF THIS AIRSOFT GUN.

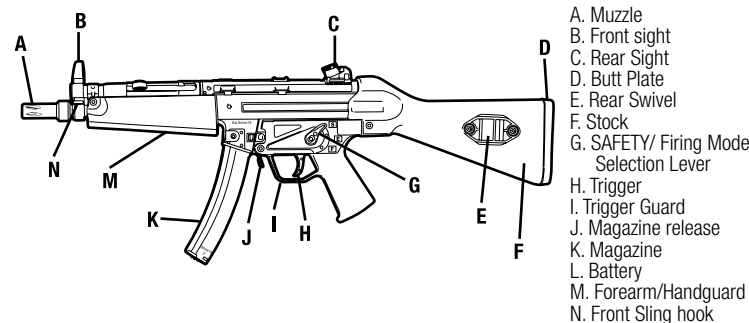
Recommend 18 years or older to purchase. Intended for use by those 16 or older

Please read this owner's manual completely. Remember to treat this airsoft gun with the same respect you would a firearm. Always carefully follow the safety instructions found in this owner's manual and keep this manual in a safe place for future use.

If you have any questions regarding your new airsoft gun, please contact Crosman Customer Service at: 1-800-724-7486, 585-657-6161 or www.crosman.com.

## 1. LEARNING THE PARTS OF YOUR NEW AIRSOFT GUN

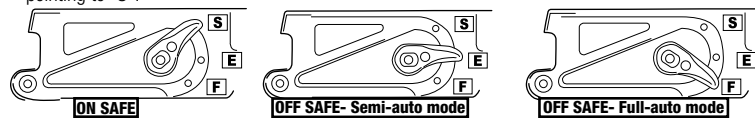
Learning the names of the parts of your new airsoft gun will help you to understand your owner's manual. Use this manual to increase your enjoyment of this airsoft gun.



## 2. OPERATING THE SAFETY

### A. TO PUT THE AIRSOFT GUN "ON SAFE"

- Locate the safety on the left side of the airsoft gun.
- Turn the safety lever to "S" for "ON SAFE." (Fig 2A). The safety is not "ON SAFE" unless it is pointing to "S".



**WARNING:** Keep the airsoft gun in the "ON SAFE" position until you are actually ready to shoot. Then turn the safety to the "SEMI" or "AUTO" position.

Like all mechanical devices, an airsoft gun safety can fail. Even when the safety is "ON SAFE", you should continue to handle the airsoft gun safely. NEVER point the airsoft gun at any person. NEVER point the airsoft gun at anything you do not intend to shoot.

### B. TO TAKE THE AIRSOFT GUN "OFF SAFE"

NOTE: This airsoft gun fires in semi or full auto-mode. Full auto means it will continue to fire plastic BBs as long as you hold the trigger. Semi- auto means you will have to pull the trigger each time you want to fire a shot.

- Locate the safety on the left side of the receiver. (Fig. 2A)
- Turn the lever to "E" for semi-auto mode.
- Turn the lever to "F" for full auto mode.
- The airsoft gun is "OFF SAFE" and ready to fire when pointing to either "E" or "F".

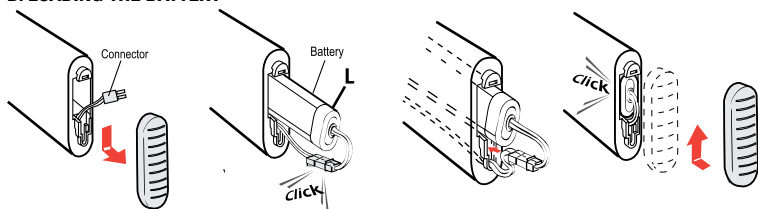
## 3. CHARGING, LOADING AND REMOVING THE BATTERY

### A. CHARGING THE BATTERY

- Use only the battery and charger provided with your product.
- Plug the white connector on the battery into the connector on the battery charger.
- Plug the charger in to a standard 110 v outlet.

NOTE: The battery charging time 9-10 hours prior to initial use. To prolong battery life and maintain the best shooting performance rest the gun for 5-10 minutes after firing about 500 rounds. For optimum performance completely use up the battery before recharging. DO NOT OVERCHARGE THE BATTERY. UNPLUG THE BATTERY CHARGER WHEN NOT IN USE.

### B. LOADING THE BATTERY



- Make sure the airsoft gun is "ON SAFE" (section 2A) and is UNLOADED.
- Point the airsoft gun in a SAFE DIRECTION.
- Remove the butt plate by pushing it downward.
- Pull out the connector.
- Insert the battery into the stock with the connector facing out.
- Plug the battery into the connector.
- Slide the battery and connectors into the stock and fold the wire in an "S" shape.
- Replace the butt by lining it up on the stock and pushing up into the locked position.

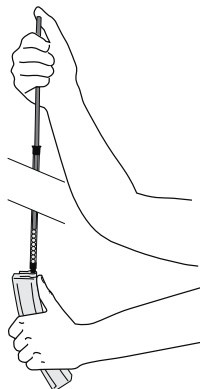
### C. REMOVING THE BATTERY

- Make sure the airsoft gun is "ON SAFE" (section 2A) and is UNLOADED.
- Point the airsoft gun in a SAFE DIRECTION.
- Remove the butt plate by pushing it downward with both thumbs.
- Pull out the battery and connector.
- Unplug the battery from the connector.
- Replace the butt by lining it up on the stock and pushing up into the locked position.

## 4. LOADING AND UNLOADING PLASTIC BBS

NOTE: For optimum performance Crosman recommends using only Crosman brand BBs.

- Make sure the airsoft gun is "ON SAFE" (section 2A) and pointed in a SAFE DIRECTION.
- Press the magazine release to release the magazine.
- Take the BB loader and insert the narrower end into the magazine.
- Remove the inner rod from the loader and pour plastic BBs into the loader.
- Using the inner rod, push the BBs from the loader into the magazine.
- Repeat the steps until the magazine is full
- Remove the BB loader.
- Insert the magazine into the airsoft gun making sure that it locks in place.



**WARNING:** Use 6 mm plastic BBs only in this airsoft gun. Use of any other ammunition can cause injury to you or damage to the airsoft gun. We recommend using Crosman .20g or .25 Heavy BBs.

### B. UNLOADING PLASTIC BBS

- Make sure the airsoft gun is "ON SAFE"- "S" (section 2A) and pointed in a SAFE DIRECTION.
- Press the magazine release to release the magazine.
- Press the BB release on the top of the magazine
- Point the airsoft gun in a SAFE DIRECTION, take "OFF SAFE" and fire the gun in a safe direction until no more BBs fire.
- Put the airsoft gun back "ON SAFE"- "S".

**WARNING:** Never assume that because the airsoft gun no longer fires a BB and/or the loading chamber is removed, that a BB is not lodged in the barrel. Always treat the airsoft gun as though it is loaded and with the same respect you would a firearm.

## 5. SELECTING THE FIRING MODE

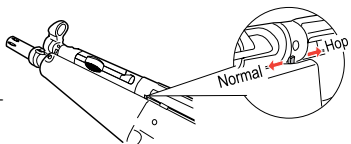
NOTE: This airsoft gun fires in semi-auto or full auto mode. Full-auto means it will continue to fire plastic BBs as long as you hold the trigger. Semi-auto means that you will have to pull the trigger each time you want to fire a shot.

- Make sure the airsoft gun is "ON SAFE" (section 2A) and pointed in a SAFE DIRECTION.
- Locate the firing selection lever on the left side of the gun.
- Turn the lever to "E" for "Semi-auto."
- Turn the lever to "F" for "Full-auto."

## 6. USING THE HOP-UP MODE

Your airsoft gun is manufactured with an adjustable hop-up system. The purpose of this system is to change the spin on the BB as it leaves the muzzle, allowing you to adapt your shot for different distances.

- Locate the hop-up adjustment lever on the left side of the gun above the forearm.



- Move the lever back for more spin.
- Move the lever forward for less spin.

## 7. AIMING AND FIRING SAFELY

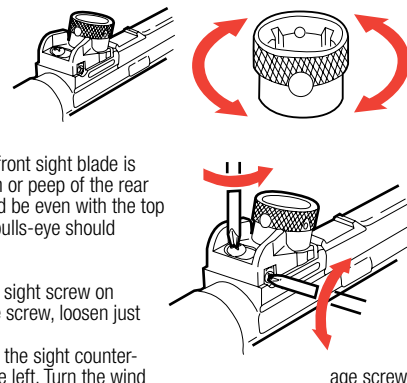
### A. Firing Safety

- You and others with you should always wear eye protection designed for airsoft to protect your eyes.
- Always point your airsoft gun in a SAFE DIRECTION.
- Do not shoot at hard surfaces or at the surface of water. The plastic BBs may bounce off or ricochet and hit someone or something you had not intended to hit.
- DO NOT re-use plastic BBs because they could possibly cause damage to your airsoft gun.
- Your airsoft gun is designed for target shooting and is suited for both indoor and outdoor use. Always remember to place your target carefully. THINK about what you will hit if you miss the target.
- When you are sure of your target and backstop, and the area around the target is clear, load and charge the airsoft gun following sections 3 and 4. Take the airsoft gun "OFF SAFE"(section 2A) aim and pull the trigger to fire.

### B. ADJUSTING THE SIGHTS

#### REAR SIGHT

- Your rear sight has four peep sight settings. To select your preference, simply turn the rear sight left or right until it clicks into the desired position.
- The airsoft gun is correctly aimed when the front sight blade is positioned exactly in the center of the notch or peep of the rear sight. The top of the front sight blade should be even with the top of the notch or peep in the rear sight. The bulls-eye should appear to rest on the top of the front sight .



To adjust for windage (left or right) loosen the sight screw on the back of the rear sight. Do not remove the screw, loosen just enough for the sight to have a little play in it.

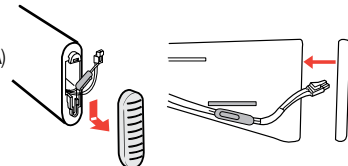
- Turn the windage screw on the right side of the sight counter-clockwise to move the point of impact to the left. Turn the wind clockwise to move the point of impact to the right.
- When the windage adjustment is complete tighten the rear sight screw.

## 8. MAINTAINING YOUR AIRSOFT GUN

- DO NOT MODIFY OR ALTER YOUR AIRSOFT GUN. Tampering with the airsoft gun or attempts to change the airsoft gun in any way may make it unsafe to use, may cause serious injury or death and will void the warranty.
- If you drop your airsoft gun, visually check to see that it works properly before you use it again. If anything seems changed, like a shorter or weaker trigger pull, this may mean parts are worn out or broken. Call Customer Service at Crosman for assistance before using your airsoft gun again.

## 9. REPLACING THE FUSE

- Make sure the airsoft gun is "ON SAFE" (section 2A) and is UNLOADED.
- Point the airsoft gun in a SAFE DIRECTION.
- Remove the butt plate by pushing it downward.
- Pull out the connector wires.
- Open the fuse box and remove the fuse.
- Replace the fuse with a new 20A Glass Tube Fuse (not included).
- Close the fuse box.



## 10. TROUBLE SHOOTING/INCREASING YOUR SHOOTING ENJOYMENT

- Occasionally shake the gun to ensure smooth BB feeding.
- This is a high precision airsoft rifle. Prevent dust and dirt from getting into the magazine to help maintain the performance of your airsoft rifle.
- If the efficiency of BB feeding seems to decrease, remove all the BBs from the magazine and spray silicone oil for 1 to 2 seconds. (Note that the hop-up operation may become unstable for a while after using silicone oil).
- An odor may be generated from the motor initially from a new airsoft gun, this is normal.
- If the airsoft gun does not fire in semi-auto mode, follow safe shooting rules and turn the gun to full auto mode for 5 to 10 shots before returning to semi-auto mode.
- Change the battery if firing cycle becomes slow.
- Give the airsoft gun a rest for 5 to 10 minutes after about 500 BBs have been fired.

### CLEARING A JAM

Never look down the end of barrel to see if a jam has been cleared.

Make sure the airsoft gun is "ON SAFE" and pointed in a SAFE DIRECTION.

Remove magazine.

Insert the tapered end of the cleaning rod into the barrel, with the angle toward the breech (where the magazine connects).

CAREFULLY and slowly apply more pressure until you push the BB out of the breech.

Reinstall the magazine and test gun.

## 11. REVIEWING SAFETY

- Do not ever point the airsoft gun at any person. Do not ever point the airsoft gun at anything you do not intend to shoot.
- Always treat the airsoft gun as though it is loaded and with the same respect you would a firearm.
- Always aim in a SAFE DIRECTION. Always keep the muzzle of the airsoft gun pointed in a SAFE DIRECTION.
- Always keep the airsoft gun "ON SAFE" until you are ready to shoot in a SAFE DIRECTION.
- Always check to see if the airsoft gun is "ON SAFE" and unloaded when getting it from another person or from storage.
- Always keep your finger off the trigger and out of the trigger guard until ready to shoot.
- You and others with you should always wear eye protection to protect your eyes.
- Always wear eye protection designed for airsoft over your regular glasses.
- Use 6 mm plastic BBs only.
- Do not reuse plastic BBs because they could cause possible damage to your airsoft gun.
- Do not shoot at hard surfaces or at the surface of water. The plastic BBs may bounce off or ricochet and hit someone or something you had not intended to hit.

- Replace the backstop if it becomes worn. Place the backstop in a location that will be safe should the backstop fail.
- Your backstop should be checked for wear before and after each use. All backstops are subject to wear and will eventually fail. Replace your backstop if the surface is worn or damaged or if a ricochet occurs.
- Do not attempt to disassemble or tamper with your airsoft gun.
- DO NOT MODIFY OR ALTER YOUR AIRSOFT GUN. Attempts to modify the airsoft gun in any way may make your airsoft gun unsafe to use, cause serious injury or death and will void the warranty.
- Using unauthorized repair centers or modifying the function of your airsoft gun in any way may be unsafe and will void your warranty.
- Do not put the airsoft gun away loaded. Make sure ALL of the plastic BBs are unloaded from the airsoft gun.
- Always store this airsoft gun in a secure location.

## SPECIFICATIONS

Mechanism/Action	Electronic
Caliber/Ammunition	6mm Plastic BBs
Magazine	Up to 100 6 mm BBs
Safety	Lever
Velocity	Up to 400 fps
Battery	8.4V battery / 1500 MAH
Fuse	20A Glass Tube Fuse

**PERFORMANCE:** Many factors can affect velocity, including brand of projectile, type of projectile and barrel condition. We recommend using only Crosman brand airsoft BBs. Use of other than Crosman brand can damage your airsoft gun.

### STOP DO NOT RETURN THIS PRODUCT TO THE STORE.

Our friendly customer service representatives will be glad to help. You can get answers to frequently asked questions at www.crosman.com or you can contact us directly at 1-800-7AIRGUN (1-800-724-7486)

## CUSTOMER SERVICE

If your airsoft gun is not functioning, we recommend that you call Crosman Corporation Customer Service at 1-800-724-7486 or 585-657-6161. (International customers should contact their distributor.) DO NOT ATTEMPT TO DISASSEMBLE IT! If you take it apart you probably will not be able to reassemble it correctly. Crosman assumes no warranty responsibility under such circumstances.

## LIMITED 90 DAY WARRANTY

This product is warranted to the retail consumer for 90 days from date of retail purchase against defects in material and workmanship and is transferable.

## WHAT IS COVERED

Replacement parts and labor. Transportation charges to consumer for repaired product.

## WHAT IS NOT COVERED

Transportation charges to Crosman for product. Damages caused by abuse, modification or failure to perform normal maintenance. Any other expense. CONSEQUENTIAL DAMAGES, INCIDENTAL DAMAGES, OR INCIDENTAL EXPENSES, INCLUDING DAMAGE TO PROPERTY. SOME STATES DO NOT ALLOW THE EXCLUSION OR LIMITATION OF INCIDENTAL OR CONSEQUENTIAL DAMAGES, SO THE ABOVE LIMITATION OR EXCLUSION MAY NOT APPLY TO YOU.

## WARRANTY CLAIMS

USA Customers: Attach your name, address, description of problem, phone number and copy of sales receipt to product. Package and return to Crosman Corporation, Routes 5 & 20, East Bloomfield, NY 14443.

International Customers: Please return product to your nearest distributor. If you do not know your distributor, please call 585-657-6161 and ask for our International Department for assistance.

## IMPLIED WARRANTIES

ANY IMPLIED WARRANTIES, INCLUDING THE IMPLIED WARRANTIES OF MERCHANTABILITY AND FITNESS FOR A PARTICULAR PURPOSE, ARE LIMITED IN DURATION TO 30 DAYS FROM DATE OF RETAIL PURCHASE. SOME STATES DO NOT ALLOW LIMITATIONS ON HOW LONG AN IMPLIED WARRANTY LASTS, SO THE ABOVE LIMITATIONS MAY NOT APPLY TO YOU.

To the extent any provision of this warranty is prohibited by federal, state, or municipal law which cannot be preempted, it shall not be applicable. This warranty gives you specific legal rights, and you may also have other rights which vary from state to state.

CROSMAN is a registered trademark of Crosman Corporation in the United States.



# MODELO PG521 RIFLE DE AIRE SUAVE MUNICIONES DE PLÁSTICO DE 6 MM MANUAL DEL PROPIETARIO

Distribuido por  
Crosman Corporation  
7629 Routes 5 & 20  
East Bloomfield, NY 14443  
www.crosman.com  
1-800-724-7486  
Hecho en Hong Kong

**ADVERTENCIA:** Éste no es un juguete. Es necesaria la supervisión de un adulto. El uso inadecuado puede causar lesiones graves, en particular a los ojos. El usuario y todas las personas que estén al alcance del arma deben llevar protección para los ojos diseñada para armas de aire suave. Puede ser peligroso hasta a 183 metros (100 yardas). Por favor lea el manual del usuario antes de usar el arma.

**ADVERTENCIA:** No blanda ni muestre esta arma de aire suave en público, puede confundir a la gente y podría ser delito. La policía y otras personas pueden pensar que se trata de un arma de fuego. No cambie la coloración o las marcas de modo que tenga un mayor parecido con un arma de fuego. Es peligroso y podría tratarse de un delito.

NOTA: Cargue la batería un 9-10 horas antes de usarla por primera vez. Este rifle de aire suave no funcionará correctamente sin una batería totalmente cargada. NO SOBRECARGUE LA BATERÍA. DESCONECTE EL CARGADOR DE BATERÍAS CUANDO NO SE ESTÉ USANDO.

LEA TODAS LAS INSTRUCCIONES Y ADVERTENCIAS DE ESTE MANUAL ANTES DE USAR ESTA ARMA DE AIRE SUAVE.

EL COMPRADOR Y EL USUARIO TIENEN EL DEBER DE OBEDECER TODAS LAS LEYES RELATIVAS AL USO Y PROPIEDAD DE ESTA ARMA DE AIRE SUAVE.

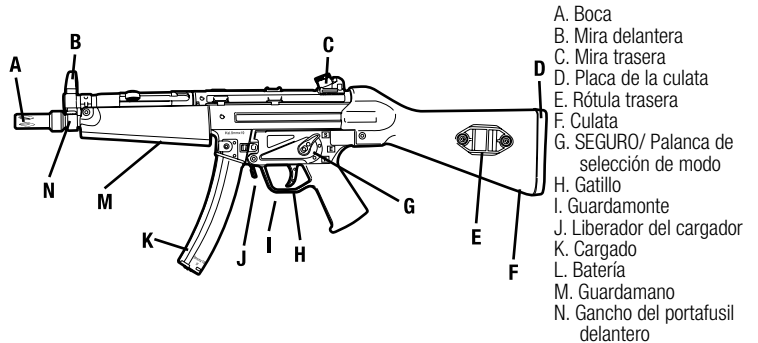
Se recomienda que la persona tenga 18 años o más para comprarla. Diseñada para ser usada por personas de 16 años de edad o mayores.

Por favor lea por completo este manual del usuario. Recuerde tratar este rifle de aire suave con el mismo respeto que le tendría a un arma de fuego. Siempre siga cuidadosamente las instrucciones de seguridad que se encuentran en este manual del propietario y consérvelo en lugar seguro para utilizarlo en el futuro.

Si tiene preguntas sobre su nuevo rifle de aire suave, comuníquese con Servicio al cliente de Crosman al: 1-800-724-7486, 585-657-6161 o www.crosman.com.

## 1. APRENDER LAS PARTES DE SU NUEVO RIFLE DE AIRE SUAVE

Aprenderse los nombres de las partes de su nuevo rifle de aire suave le ayudará a entender su manual del propietario. Use este manual para aumentar su disfrute de este rifle de aire suave.



## 2. OPERACIÓN DEL SEGURO

### A. PARA ACTIVAR EL SEGURO DEL RIFLE DE AIRE SUAVE ("ON SAFE")

- Encuentre el seguro del lado izquierdo del rifle de aire suave.
- Gire la palanca del seguro a la posición "SAFE" para activar el seguro. (Fig 2A). El seguro no está activado ("ON SAFE") a menos que esté apuntando hacia "SAFE".



**ADVERTENCIA:** Mantenga el rifle de aire suave en posición de "ON SAFE" (seguro activado) hasta que esté efectivamente listo para disparar. Luego gire el seguro a la posición "SEMI" o "AUTO".

Como todos los dispositivos mecánicos, el seguro de un rifle de aire suave puede fallar. Incluso con el seguro activado ("ON SAFE"), debe seguir manipulando con seguridad el rifle de aire suave. NUNCA apunte el rifle de aire suave a ninguna persona. NUNCA apunte con el rifle de aire suave a nada a lo que no tenga intención de dispararle.

### B. PARA DESACTIVAR EL SEGURO DEL RIFLE DE AIRE SUAVE ("OFF SAFE")

NOTA: Este rifle de aire suave dispara en modo semiautomático o automático. Automático significa

que seguirá disparando municiones de plástico mientras usted mantenga oprimido el gatillo. Semi-automático significa que debe tirar del gatillo cada vez que quiera disparar un tiro.

- Encuentre el seguro del lado izquierdo del receptor. (Fig. 2a)
- Gire la palanca a "semi" para modo semiautomático.
- Gire la palanca a "auto" para modo automático.
- El rifle de aire suave tiene el seguro desactivado ("OFF SAFE") y está listo para disparar cuando apunte a "semi" o a "auto."

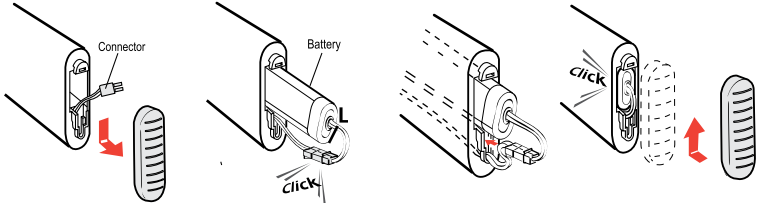
### 3. CARGA, COLOCACIÓN Y EXTRACCIÓN DE LA BATERÍA

#### A. CARGAR LA BATERÍA

- Use únicamente la batería y el cargador suministrados con su producto.
- Enchufe el conector blanco de la batería en el conector del cargador de la batería.
- Conecte el cargador a un enchufe estándar de 110.

NOTA: Cargue la batería 9-10 horas antes de usarla por primera vez. Para prolongar la vida de la batería y conservar el mejor desempeño en el disparo, deje descansar el arma durante 5 a 10 minutos después de disparar unas 500 rondas. Para un desempeño óptimo, use por completo la batería antes de volver a cargarla. NO SOBRECARGUE LA BATERÍA. DESCONECTE EL CARGADOR DE BATERÍAS CUANDO NO SE ESTÉ USANDO.

#### B. COLOCAR LA BATERÍA



- Cuide que el seguro de el rifle de aire suave esté activado ("ON SAFE") (sección 2A) y el rifle esté DESCARGADO.
- Apunte el rifle de aire suave en una DIRECCIÓN SEGURA.
- Quite la placa de la culata empujándola hacia abajo.
- Extraiga el conector.
- Inserte la batería en la culata de modo que el conector mire hacia afuera.
- Conecte la batería en el conector.
- Deslice la batería y los conectores en la culata y doble el cable en forma de "S".
- Reemplace la placa alineándola con la culata y empujando hacia arriba a la posición de bloqueo.

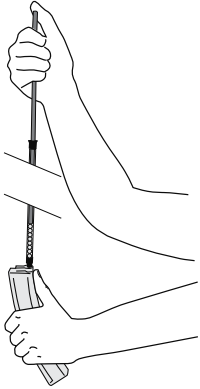
#### C. EXTRACCIÓN DE LA BATERÍA

- Cuide que el seguro de el rifle de aire suave esté activado ("ON SAFE") (sección 2A) y el rifle esté DESCARGADO.
- Apunte el rifle de aire suave en una DIRECCIÓN SEGURA.
- Quite la placa de la culata empujándola hacia abajo con ambos pulgares.
- Extraiga la batería y el conector.
- Desconecte la batería del conector.
- Reemplace la placa alineándola con la culata y empujando hacia arriba a la posición de bloqueo.

#### 4. CARGA Y DESCARGA DE LAS MUNICIONES DE PLÁSTICO

NOTA: Para disfrutar de un rendimiento óptimo, Crosman recomienda usar solamente municiones de la marca Crosman.

- Cuide que esté activado el seguro del rifle de aire suave ("ON SAFE") (sección 2A) y que esté apuntado en una DIRECCIÓN SEGURA.
- Óprima el liberador del cargador para liberarlo.
- Tome el dispensador de municiones e inserte el extremo más estrecho en el cargador.
- Extraiga la varilla interna del dispensador y del dispensador y vierta municiones de plástico en él.
- Utilizando la varilla interna, empuje las municiones del dispensador al cargador.
- Repita los pasos hasta que el cargador esté lleno
- Extraiga el dispensador de municiones.
- Inserte el cargador en el rifle de aire suave, cerciorándose de que se bloquee en su sitio.



**ADVERTENCIA:** Use solamente municiones de plástico de 6 mm en este rifle de aire suave. El uso de cualquier otro tipo de munición puede causarle lesiones o dañar el rifle de aire. El uso de cualquier otro tipo de munición puede causarle lesiones o dañar el rifle de aire.

#### B. DESCARGA DE LAS MUNICIONES DE PLÁSTICO

- Cuide que esté activado el seguro del rifle de aire suave ("ON SAFE") -"S" (sección 2A) y que esté apuntado en una DIRECCIÓN SEGURA.
- Oprima el liberador del cargador para liberarlo.
- Oprima el liberador de municiones en la parte superior del cargador
- Apunte el rifle de aire suave en una DIRECCIÓN SEGURA, desactive el seguro ("OFF SAFE") y dispárelo hasta que ya no se disparen municiones.
- Vuelva a activar el seguro del rifle de aire suave ("ON SAFE").

**ADVERTENCIA:** Nunca suponga que, debido a que el rifle de aire suave ya no dispara municiones o se ha quitado el dispensador, no hay una munición alojada en el cañón. Siempre trate al rifle de aire suave como si estuviera cargado y con el mismo respeto que le tendría a un arma de fuego.

#### 5. SELECCIÓN DEL MODO DE DISPARO

NOTA: Este rifle de aire suave dispara en modo semiautomático o totalmente automático. Automático significa que seguirá disparando municiones de plástico mientras usted mantenga oprimido el gatillo. Semi-automático significa que debe tirar del gatillo cada vez que quiera disparar un tiro.

- Cuide que esté activado el seguro del rifle de aire suave ("ON SAFE") (sección 2A) y que esté apuntado en una DIRECCIÓN SEGURA.
- Encuentre la palanca de selección de disparo del lado izquierdo del rifle.
- Gire la palanca a "E" para modo "Semiautomático".
- Gire la palanca a "F" para modo "Automático".

#### 6. USO DEL MODO HOP-UP

Su rifle de aire suave está fabricado con un sistema "hop up" ajustable. El objetivo de este sistema es cambiar el giro de las municiones al salir por la boca del cañón, permitiéndole adaptar su disparo a distintas distancias.

- Encuentre la palanca de ajuste del hop-up del lado izquierdo del rifle encima del guardamano.
- Mueva la palanca hacia atrás para mayor giro
- Mueva la palanca hacia adelante para menor giro

#### 7. APUNTAR Y DISPARAR CON SEGURIDAD

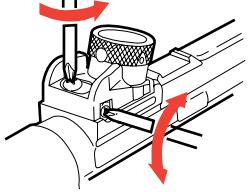
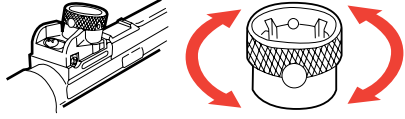
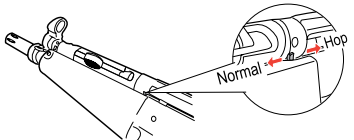
##### A. DISPARAR CON SEGURIDAD

- Usted y las demás personas deben siempre usar protección ocular diseñada para armas de aire suave con objeto de proteger sus ojos.
- Siempre apunte su rifle de aire suave en una DIRECCIÓN SEGURA.
- No dispare a superficies duras o a la superficie del agua. Las municiones de plástico pueden rebotar y golpear a alguien o algo que usted no tena intención de golpear.
- NO reutilice las municiones de plástico, ya que podrían causarle daños a su rifle de aire suave.
- Su rifle de aire suave está diseñado para tiro al blanco y es adecuado para usarse bajo techo o al aire libre. Recuerde siempre colocar su blanco con cuidado. PIENSE en lo que puede golpear si no atina al blanco.

- Quando esté seguro de su blanco y respaldo, y no haya gente en el área alrededor del blanco, cargue y amarrille el rifle de aire suave siguiendo lo indicado en las secciones 3 y 4. Desactive el seguro del rifle de aire suave (póngalo en "OFF SAFE") (sección 2A) apunte y tire del gatillo para disparar.

##### B. AJUSTE DE LAS MIRAS MIRA TRASERA

- Su mira trasera tiene cuatro ajustes de mirilla. Para seleccionar su preferencia, sólo tiene que girar la mira trasera a izquierda o derecha hasta que entre en el lugar deseado con un clic.
- El rifle de aire está apuntado correctamente cuando la hoja de la mira delantera está posicionada exactamente el centro de la muesca o mirilla de la mira trasera. La parte superior de la hoja de la mira delantera debe estar nivelada con la parte superior de la muesca o mirilla de la mira trasera. La diana debe verse como si descansara encima de la mira delantera.



Para ajustar la compensación de viento (izquierda o derecha), afloje el tornillo de la mira que está en la parte superior de la mira trasera. No quite el tornillo, sólo aflójealo lo suficiente para que la mira tenga un poco de juego.

- Gire el tornillo de compensación de viento que está del lado derecho de la mira en sentido contrario al de las manecillas del reloj para mover el punto de impacto a la izquierda. Gire el tornillo de compensación de viento en el sentido de las manecillas del reloj para mover el punto de impacto a la derecha.
- Quando haya finalizado el ajuste de compensación de viento, apriete el tornillo de la mira trasera.

#### 8. MANTENIMIENTO DE SU RIFLE DE AIRE SUAVE

- NO MODIFIQUE NI ALTERE EL RIFLE DE AIRE SUAVE. Forzar el rifle de aire suave o intentar modificarlo de cualquier manera pueden hacer su uso inseguro, causar graves lesiones o la muerte y anulará la garantía.
- Si el rifle de aire suave cae, revise visualmente que funcione correctamente antes de volverlo a usar. Si parece que cualquier cosa ha cambiado, como que el gatillo está más suave o más duro, puede indicar que hay piezas desgastadas o rotas. Llame al Servicio al cliente de Crosman para obtener ayuda antes de volver a usar su rifle de aire suave.

#### 9. REEMPLACE EL FUSIBLE

- Cuide que el seguro de el rifle de aire suave esté activado ("ON SAFE") (sección 2A) y el rifle esté DESCARGADO.
- Apunte el rifle de aire suave en una DIRECCIÓN SEGURA.
- Quite la placa de la culata empujándola hacia abajo.
- Extraiga los cables del conector.
- Abra el compartimiento del fusible y extraiga éste.
- Reemplace el fusible con un nuevo fusible de tubo de vidrio de 20A (no incluido).
- Cierre la caja del fusible.

#### 10. RESOLUCIÓN DE PROBLEMAS, AUMENTO DE SU DISFRUTE AL DISPARAR

- Sacuda ocasionalmente el rifle para asegurar la alimentación uniforme de municiones.
- Éste es un rifle de aire suave de alta precisión. Evita que entren polvo y suciedad en el cargador para ayudar a conservar el desempeño de su rifle de aire suave.
- Si parece disminuir la eficiencia de la alimentación de municiones, quite todas las municiones del cargador y rocíe aceite de silicona durante 1 o 2 segundos. (Tenga presente que la operación de hop-up puede hacerse inestable durante un tiempo después de usar el aceite de silicona).
- Inicialmente, el motor de un rifle de aire suave nuevo puede generar un olor, esto es normal.
- La operación de hop-up puede ser inestable de 200 a 300 tiros después de usar la silicona, esto es parte de la operación normal del rifle.
- Si el rifle de aire suave no dispara en modo semiautomático, siga las reglas de disparo seguro y ponga el rifle en modo automático durante unos 5 o 10 disparos antes de volver al modo semiautomático.
- Cambie la batería si el ciclo de disparo se hace lento.
- Déle al rifle de aire suave un descanso de 5 a 10 minutos después de disparar unas 500 municiones.

#### ELIMINAR UN ATASCAMIENTO

Nunca mire por el extremo del cañón para ver si se ha eliminado un atascamiento. Asegúrese de que el rifle de aire suave tenga el seguro activado ("ON SAFE") y esté apuntado en una DIRECCIÓN SEGURA.

Quite el cargador.  
Inserte el extremo ahusado de la varilla de limpieza en el cañón, con el ángulo hacia la recámara (donde se conecta el cargador).  
CUIDADOSAMENTE y con lentitud, aplique más presión hasta que empuje la munición sacándola de la recámara.  
Vuelva a instalar el cargador y pruebe el rifle.

#### 11. REVISIÓN DE LA SEGURIDAD

- Nunca apunte el rifle de aire suave a una persona. Nunca apunte con el rifle de aire suave a nada a lo que no tenga intención de dispararle.
- Siempre trate al rifle de aire suave como si estuviera cargado y con el mismo respeto que le tendría a un arma de fuego.
- Apunte siempre en una DIRECCIÓN SEGURA. Mantenga siempre el cañón del rifle de aire suave apuntado en DIRECCIÓN SEGURA.
- Mantenga siempre el rifle de aire suave en la posición "ON SAFE" (seguro activado) hasta que esté listo para disparar en una DIRECCIÓN SEGURA.
- Siempre compruebe que el rifle de aire suave tenga el seguro activado ("ON SAFE") y esté descargado al recibirlo de otra persona o al sacarlo después de estar guardado.
- Mantenga siempre el dedo apartado del gatillo y fuera del guardamonte hasta que esté listo para disparar.
- Usted y las demás personas deben usar siempre protección ocular para proteger sus ojos.
- Use siempre sobre sus gafas protección ocular diseñada para armas de aire suave.
- Use solamente municiones de plástico de 6 mm.
- No reutilice las municiones de plástico, ya que podrían causarle daños a su rifle de aire suave.
- No dispare a superficies duras o a la superficie del agua. Las municiones de plástico pueden rebotar y golpear a alguien o algo que usted no tena intención de golpear.
- Reemplace el respaldo si se desgasta. Coloque el respaldo en un lugar que sea seguro en caso de que falle el respaldo.
- Debe revisarse el desgaste del respaldo antes y después de cada uso. Todos los respaldos se desgastan y eventualmente dejarán de servir. Reemplace el respaldo si la superficie está desgastada o dañada, o si rebota la munición.
- No intente desarmar su rifle de aire suave ni lo manipule indebidamente.
- NO MODIFIQUE NI ALTERE SU RIFLE DE AIRE SUAVE. Los intentos de modificar el rifle de aire suave de cualquier forma pueden hacer que no sea seguro usarlo, ocasionar graves lesiones o la muerte, y anular la garantía.
- El uso de centros de reparaciones no autorizados o la modificación de las funciones de su rifle de aire suave en cualquier forma puede ser inseguro y anulará la garantía.
- No guarde el rifle de aire suave cargado. Asegúrese de que TODAS las municiones de plástico se hayan descargado del rifle de aire suave.
- Siempre almacene este rifle de aire suave en un sitio seguro.

#### ESPECIFICACIONES

Mecanismo/Acción	Electrónico
Calibre/Municiones	Municiones de plástico de 6 mm
Cargador	Hasta 100 municiones de plástico de 6 mm
Seguro	Palanca
Velocidad	Hasta 122 mps (300 fps)
Batería	Batería de 8.4V / 1500 MAH
Fusible	Fusible de tubo de vidrio de 20A

**DESEMPEÑO:** Muchos factores afectan la velocidad, incluida la marca del proyectil, el tipo de proyectil y las condiciones del cañón. Recomendamos usar solamente municiones de aire suave de la marca Crosman. El uso de municiones que no sean de la marca Crosman puede dañar su rifle de aire suave.

#### ALTO. NO DEVUELVASU PRODUCTO A LA TIENDA.

Nuestros amables representantes de servicio al cliente le ayudarán con gusto. Puede obtener respuestas a preguntas muy frecuentes en www.crosman.com o puede comunicarse con nosotros directamente al 1-800-7AIRGUN (1-800-724-7486)

#### SERVICIO AL CLIENTE

Si su rifle de aire suave no funciona, le recomendamos que llame a Servicio al cliente de Crosman Corporation al 1-800-724-7486 o al 585-657-6161. (Los clientes internacionales deben ponerse en contacto con su distribuidor.) ¡NO INTENTE DESARMARLO! Si lo desarma, probablemente no podrá volver a armarlo correctamente. Crosman no asume ninguna responsabilidad de garantía bajo tales circunstancias.

#### GARANTÍA LIMITADA POR 90 DÍAS

Este producto está garantizado para el comprador al menudeo durante 90 días a partir de la fecha de compra al menudeo contra defectos en materiales y mano de obra, y es transferible.

#### QUÉ ESTÁ CUBIERTO

Refacciones y mano de obra. Cargos del transporte del producto reparado al consumidor.

#### QUÉ NO ESTÁ CUBIERTO

Cargos de transporte del producto a Crosman. Los daños ocasionados por mal uso, modificación o negligencia en la realización del mantenimiento normal. Cualquier otro gasto. DAÑOS CONSECUENCIALES O INCIDENTALES, O GASTOS INCIDENTALES INCLUIDOS LOS DE DAÑOS A LA PROPIEDAD. ALGUNOS ESTADOS NO PERMITEN LA EXCLUSIÓN O LIMITACIÓN DE DAÑOS INCIDENTALES O CONSECUENCIALES, DE MODO QUE ES POSIBLE QUE LA LIMITACIÓN ANTES SEÑALADA NO SE LE APLIQUE A USTED.

#### RECLAMACIONES POR GARANTÍA

Clientes de los EE.UU.: Adjunte al producto su nombre, dirección, descripción del problema, número telefónico y una copia del recibo de ventas.. Empáquelo y devuélvalo a Crosman Corporation, Routes 5 & 20, East Bloomfield, NY 14443.

Clientes internacionales: devuelva el producto a su distribuidor más cercano. Si no conoce a su distribuidor, llame al 585-657-6161 y pida hablar con nuestro departamento internacional (International Department) para obtener ayuda.

#### GARANTÍAS IMPLÍCITAS

CUALQUIER GARANTÍA IMPLÍCITA, INCLUIDAS LAS GARANTÍAS IMPLÍCITAS DE COMERCIABILIDAD E IDONEIDAD PARA UN PROPÓSITO EN PARTICULAR, TIENEN UNA DURACIÓN LIMITADA DE 30 DÍAS A PARTIR DE LA FECHA DE LA COMPRA AL MENUDEO. ALGUNOS ESTADOS NO PERMITEN LIMITACIONES SOBRE LA DURACIÓN DE UNA GARANTÍA IMPLÍCITA, DE MODO QUE ES POSIBLE QUE LAS LIMITACIONES ANTES INDICADAS NO SE LE APLIQUEN A USTED.

En la medida en que cualquier disposición de esta garantía esté prohibida por leyes federales, estatales o municipales que no puedan invalidarse, no será aplicable. Esta garantía le otorga derechos legales concretos y es posible que tenga también otros derechos que varían según el estado.

CROSMAN es una marca comercial registrada de Crosman Corporation en los Estados Unidos.





# MODÈLE PG521 CARABINE AIRSOFT BB EN PLASTIQUE DE 6MM GUIDE D’UTILISATION

Distribuée par  
Crosman Corporation  
7629 Routes 5 & 20  
East Bloomfield, NY 14443  
www.crosman.com  
1-800-724-7486  
Fabriquée en Hong Kong

PG521-516

**MISE EN GARDE:** Ceci n'est pas un jouet. La supervision d'un adulte est requise. Un usage inapproprié peut causer des blessures graves, particulièrement aux yeux. Des lunettes de protection conçues pour les armes airsoft doivent être portées par l'utilisateur et par toute personne à proximité. Peut être dangereux jusqu'à une distance de 91,44 mètres (300 pi). Lire le guide d'utilisation avant l'usage.

**MISE EN GARDE:** Ne pas brandir ou exposer cette carabine airsoft en public – cela pourrait porter à confusion et constituer un crime. Les policiers et autres personnes alentour peuvent penser qu'il s'agit d'une arme à feu. Ne pas changer la couleur ou l'étiquetage pour qu'elle ressemble davantage à une arme à feu. Une telle pratique est dangereuse et peut constituer un crime.

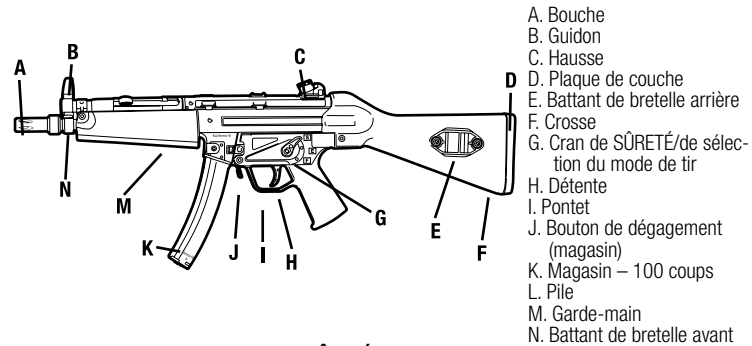
REMARQUE : Charger la pile pendant 9-10 heures avant la première utilisation. Cette carabine airsoft ne fonctionnera pas adéquatement si la pile n'est pas entièrement chargée. **NE PAS SURCHARGER LA PILE. DÉBRANCHER LE CHARGEUR À PILE LORSQU'IL N'EST PAS UTILISÉ.**  
**LISEZ TOUTES LES DIRECTIVES AVANT D'UTILISER CETTE CARABINE AIRSOFT.**  
**L'ACHETEUR ET L'UTILISATEUR SONT TENUS DE SE CONFORMER À TOUTES LES LOIS RELATIVES À L'USAGE ET À LA PROPRIÉTÉ DE CETTE CARABINE AIRSOFT.**  
**Achat recommandé pour les personnes âgées de 18 ans et plus. Réservez à l'usage des personnes de 16 ans et plus.**

Veuillez lire entièrement ce guide d'utilisation. Rappelez-vous de manipuler cette carabine airsoft avec autant de précaution que vous le feriez pour une arme à feu. Suivez toujours attentivement les consignes de sécurité contenues dans ce guide d'utilisation et conservez-le en lieu sûr pour consultation ultérieure.

Pour toutes questions concernant votre nouvelle carabine airsoft, veuillez communiquer avec le Service à la clientèle Crosman au 1-800-724-7486 ou 585-657-6161 ou à www.crosman.com.

## 1. CONNAÎTRE LES PARTIES DE VOTRE NOUVELLE CARABINE AIRSOFT

Vous comprendrez mieux votre guide d'utilisation si vous connaissez le nom des parties qui composent votre nouvelle carabine airsoft. Pour en profiter pleinement, servez-vous de ce guide.

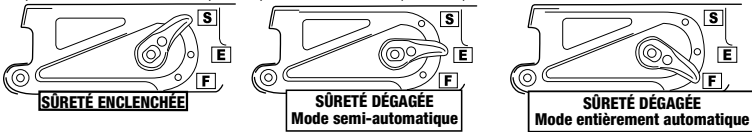


## 2. COMMENT UTILISER LE CRAN DE SÛRETÉ

### A. POUR ENCLENCHER LA SÛRETÉ DE LA CARABINE AIRSOFT

Repérez le cran de sûreté situé sur le côté gauche de la carabine.

- Tournez le cran en direction de « SAFE » (SÛRETÉ) Fig. 2A. La sûreté n'est pas enclenchée tant que le cran de sûreté ne pointe pas vers « SAFE » (SÛRETÉ).



**MISE EN GARDE:** Laissez le cran de sûreté enclenché (SAFE) jusqu'à ce que vous soyez vraiment prêt à tirer. Poussez alors le cran à la position « SEMI » ou « AUTO ».

Comme tout mécanisme, il est possible que le dispositif de sûreté d'une arme airsoft fasse défaut. Même quand le cran de sûreté est enclenché, vous devez continuer à manipuler la carabine airsoft avec précaution. Ne pointez JAMAIS la carabine airsoft vers quelqu'un. Ne pointez JAMAIS la carabine airsoft en direction de quelque chose que vous n'avez pas l'intention d'atteindre.

### B. POUR DÉGAGER LA SÛRETÉ DE LA CARABINE AIRSOFT

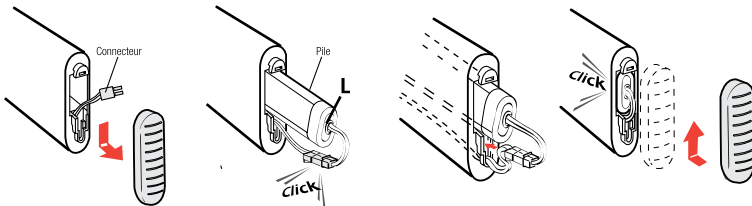
REMARQUE : Cette carabine airsoft tire en mode semi ou entièrement automatique. Entièrement automatique signifie qu'elle continuera à tirer des balles BB en plastique aussi longtemps que vous appuyerez sur la détente. Semi-automatique signifie que vous devrez appuyer sur la détente chaque fois que vous voudrez effectuer un tir.

- Repérez le cran de sûreté situé sur le côté gauche du boîtier de culasse (Fig. 2a).
- Tournez le cran vers « semi » pour semi-automatique.

- Tournez le cran vers « auto » pour entièrement automatique.
  - La sûreté de la carabine airsoft est dégagée et vous êtes prêt à tirer lorsque le cran pointe vers l'une ou l'autre des positions « semi » ou « auto ».
- ### 3. COMMENT CHARGER, INSTALLER ET RETIRER LA PILE
- #### A. POUR CHARGER LA PILE
- N'utilisez que la pile et le chargeur fournis avec votre produit.
  - Reliez le connecteur blanc de la pile au connecteur blanc du chargeur de pile.
  - Branchez le chargeur dans une prise 110 standard.

REMARQUE : Le temps de charge de la pile est 9-10 heures avant la première utilisation de l'arme. Pour prolonger la vie utile de la pile et maintenir le meilleur rendement de tir, laissez reposer l'arme pendant 5 à 10 minutes après avoir tiré environ 500 coups. Pour un meilleur rendement de la pile, utilisez toute sa capacité avant de la recharger. **NE SURCHARGEZ PAS LA PILE. DÉBRANCHEZ LE CHARGEUR À PILE LORSQU'IL N'EST PAS UTILISÉ.**

#### B. POUR CHARGER LA PILE



- Assurez-vous que la sûreté est ENCLENCHÉE (section 2A) et que la carabine est DÉCHARGÉE.
- Pointez la carabine airsoft vers un ENDROIT SÛR.
- Retirez la plaque de couche en la poussant vers le bas.
- Sortez le connecteur.
- Insérez la pile dans la crosse, le connecteur vers l'extérieur.
- Branchez la pile sur le connecteur.
- Glissez la pile et les fils connecteurs dans la crosse et enroulez les fils en formant un « S ».
- Remplacez la plaque de couche en l'alignant avec la crosse et en la poussant vers le haut pour qu'elle s'enclenche.

#### C. POUR RETIRER LA PILE

- Assurez-vous que la sûreté est ENCLENCHÉE (section 2A) et que la carabine est DÉCHARGÉE.
- Pointez la carabine airsoft vers un ENDROIT SÛR.
- Retirez la plaque de couche en la poussant vers le bas avec les deux pouces.
- Sortez la pile et le connecteur.
- Débranchez la pile du connecteur.
- Remplacez la plaque de couche en l'alignant avec la crosse et en la poussant vers le haut pour qu'elle se verrouille en place.

### 4. COMMENT CHARGER ET DÉCHARGER LES BALLES BB EN PLASTIQUE

- REMARQUE : Pour un rendement optimal Crosman recommande l'usage exclusif des balles BB de marque Crosman.
- Assurez-vous que la sûreté est ENCLENCHÉE (section 2A) et que la carabine pointe vers un ENDROIT SÛR.
  - Pressez le bouton de dégagement du magasin pour le dégager.
  - Prenez le chargeur de balles BB et insérez le bout étroit dans le magasin.
  - Retirez la tige interne à l'intérieur du chargeur et versez les balles BB en plastique dans le chargeur.
  - À l'aide de la tige interne, poussez les balles BB du chargeur dans le magasin.
  - Répétez les étapes jusqu'à ce que le magasin soit plein.
  - Retirez le chargeur de balles BB.
  - Insérez le magasin dans la carabine airsoft en vous assurant qu'il est bien fixé en place.

**MISE EN GARDE:** N'utilisez que des balles BB de 6mm dans cette carabine airsoft. L'utilisation de toute autre munition peut causer des blessures corporelles ou endommager votre carabine. Nous recommandons l'utilisation de balles BB lourdes Crosman de 0,20 ou 0,25 g.

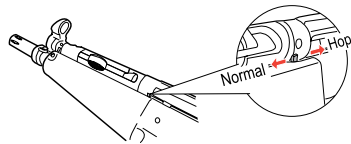
#### B. POUR DÉCHARGER LES BALLES BB EN PLASTIQUE

- Assurez-vous que la sûreté est ENCLENCHÉE (section 2A) et que la carabine pointe vers un ENDROIT SÛR.
- Pressez le verrou de magasin pour dégager le magasin.
- Pressez le bouton de dégagement des balles BB sur le dessus du magasin.
- Pointez la carabine airsoft vers un ENDROIT SÛR, dégagez la sûreté et tirez vers un endroit sûr jusqu'à ce que vous ne tiriez plus de balles BB.
- Réenclenchez la sûreté de la carabine.

**MISE EN GARDE:** Même si la carabine airsoft ne tire plus de balles BB et/ou même si la chambre de chargement a été retirée, ne prenez pas pour acquis qu'aucune balle BB ne se trouve dans le canon. Manipulez toujours la carabine airsoft comme si elle était chargée et avec autant de prudence que vous le feriez pour une arme à feu.

### 5. COMMENT SÉLECTIONNER LE MODE DE TIR

- REMARQUE : Cette carabine airsoft tire en mode semi ou entièrement automatique. Entièrement automatique signifie qu'elle continuera à tirer des balles BB aussi longtemps que vous appuyerez sur la détente. Semi-automatique signifie que vous aurez à appuyer sur la détente chaque fois que vous voudrez effectuer un tir.
- Assurez-vous que la sûreté est enclenchée (section 2A) et que la carabine pointe vers un ENDROIT SÛR.
  - Repérez le cran de sélection du tir situé sur le côté gauche de la carabine.
  - Déplacez le cran vers SEMI pour « Semi-automatique ».



- Déplacez le cran vers AUTO pour « Entièrement automatique ».

### 6. COMMENT UTILISER LE MODE HOP-UP

Votre carabine airsoft est munie d'un système Hop-Up. Le but de ce système est de modifier la vitesse de rotation de la balle au moment où elle quitte la bouche, vous permettant d'adapter votre tir aux diverses distances.

- Répérez le levier de réglage du hop-up sur le côté gauche de la carabine, au-dessus du garde-main.
- Poussez le levier vers l'arrière pour augmenter la vitesse de rotation
- Poussez le levier vers l'avant pour réduire la vitesse de rotation.

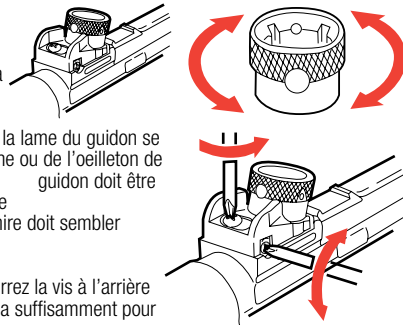
### 7. COMMENT VISER ET TIRER EN TOUTE SÉCURITÉ

#### A. POUR TIRER EN SÉCURITÉ

- Vous et toutes personnes près de vous devriez toujours porter des lunettes de protection conçues pour le tir à la carabine airsoft.
- Pointez toujours la carabine airsoft vers un ENDROIT SÛR.
- Ne tirez pas sur des surfaces dures ou sur la surface de l'eau. Les balles BB peuvent rebondir ou ricocher en direction d'une personne ou de quelque chose que vous n'avez pas l'intention d'atteindre.
- Ne réutilisez PAS ces balles car elles peuvent endommager votre carabine airsoft.
- Votre carabine airsoft est conçue pour le tir sur cible et peut être utilisée tant à l'intérieur qu'à l'extérieur. Choisissez toujours prudemment l'emplacement de votre cible. PENSEZ à ce que vous pourrez atteindre si vous ratez la cible.
- Lorsque vous êtes sûr de votre cible et du dispositif d'arrêt, et qu'il n'y a rien dans l'entourage de la cible, chargez et armez la carabine airsoft tel qu'indiqué aux sections 3 et 4. Dégagez la sûreté (section 2A), visez et appuyez sur la détente pour faire feu.

#### B. POUR RÉGLER LA VISÉE

- ##### Hausse
- Votre hausse est munie de quatre points de réglage de l'oeilleton de visée. Pour sélectionner votre préférence, tournez simplement la hausse vers la gauche ou la droite jusqu'à ce qu'elle s'enclenche dans la position désirée.
  - La ligne de mire de la carabine airsoft est réglée correctement lorsque la lame du guidon se trouve exactement au centre de l'encoche ou de l'oeilleton de la hausse. Le dessus de la lame du guidon doit être à la même hauteur que le dessus de l'encoche ou de l'oeilleton de la hausse. Le point de mire doit sembler reposer sur le dessus du guidon.



Pour régler la dérive (gauche ou droite), desserrez la vis à l'arrière de la hausse. Ne retirez pas la vis; desserrez-la suffisamment pour donner un peu de jeu à la hausse.

- Tournez la vis de dérive (côté droit de la hausse) dans le sens antihoraire pour déplacer le point d'impact vers la gauche. Tournez la vis dans le sens horaire pour déplacer le point d'impact vers la droite.
- Lorsque le réglage de la dérive est terminé, resserrez la vis de la hausse.

### 8. COMMENT ENTREtenir VOTRE CARABINE AIRSOFT

- NE FAITES AUCUNE MODIFICATION OU CHANGEMENT À VOTRE CARABINE AIRSOFT. Tout changement ou tentative de modification de votre carabine airsoft de quelque manière que ce soit peut rendre son utilisation dangereuse, peut causer des blessures graves ou même la mort et entraînera la nullité de la garantie.
- Si vous échappez votre carabine airsoft, examinez-la pour voir si elle fonctionne bien avant de l'utiliser à nouveau. Si quelque chose vous semble différent, comme une détente plus courte ou plus faible, il pourrait s'agir de pièces usées ou brisées. Appelez le Service à la clientèle Crosman pour une assistance avant d'utiliser à nouveau votre carabine airsoft.

### 9. POUR REMPLACER LE FUSIBLE

- Assurez-vous que la sûreté est ENCLENCHÉE (section 2A) et que la carabine est DÉCHARGÉE.
- Pointez la carabine airsoft vers un ENDROIT SÛR.
- Retirez la plaque de couche en la poussant vers le bas.
- Sortez les fils connecteurs.
- Ouvrez la boîte de fusible et retirez le fusible.
- Remplacez le fusible par un nouveau de type tube de verre 20A (non inclus).
- Fermez la boîte de fusible.

### 10. DÉPANNAGE/COMMENT PROFITER PLEINEMENT DE VOS SÉANCES DE TIR

- Secouez la carabine de temps en temps pour assurer l'alimentation continue du magasin.
  - Ceci est une carabine airsoft de haute précision. Empêchez la poussière et saleté d'entrer dans le magasin pour aider à maintenir la performance de votre carabine.
  - Si l'efficacité de l'alimentation en balles BB semble diminuer, retirez toutes les balles BB du magasin et vaporisez une huile de silicone pendant 1 à 2 secondes. (Prenez note que le fonctionnement du hop-up peut être instable pour quelque temps après avoir utilisé l'huile de silicone).
  - Une odeur peut se dégager du moteur au cours de la première utilisation d'une carabine airsoft neuve. Cela est normal.
  - Le fonctionnement du hop-up peut être instable pour les 200 à 300 coups suivant l'utilisation d'huile de silicone. Il s'agit d'un fonctionnement normal de la carabine.
  - Si vous ne pouvez tirer en semi-auto, suivez les règles de sécurité recommandées pour le tir et mettez la carabine en mode entièrement automatique pour 5 à 10 coups avant de retourner en mode semi-auto.
  - Changez la pile si le cycle de tir devient lent.
  - Laissez reposer la carabine airsoft pendant 5 à 10 minutes après avoir tiré environ 500 balles BB.
- POUR DÉGAGER UNE BALLE BB COINCÉE**
- Ne regardez jamais par l'extrémité du canon pour voir si un projectile coincé a été dégagé.
- Assurez-vous le cran de sûreté est enclenché et que la carabine pointe vers un ENDROIT SÛR. Retirez le chargeur. Insérez le bout pointu de la baguette de nettoyage dans le canon, en le dirigeant dans l'angle de la culasse (au point d'insertion du chargeur). PRUDEMMENT et lentement, exercez une pression jusqu'à ce que vous poussiez la balle BB hors de la culasse. Remplacez le chargeur et faites un tir d'essai.

### 11. RÉVISER LES RÈGLES DE SÉCURITÉ

- Ne pointez jamais la carabine airsoft vers quelqu'un. Ne pointez jamais la carabine airsoft vers quelque chose que vous n'avez pas l'intention d'atteindre.
- Manipulez toujours la carabine airsoft comme si elle était chargée et avec autant de prudence que vous le feriez pour une arme à feu.
- Visez toujours vers un ENDROIT SÛR. Gardez toujours la bouche de la carabine airsoft pointée vers un ENDROIT SÛR.
- Laissez toujours le cran de sûreté enclenché jusqu'à ce que vous soyez prêt à tirer vers un ENDROIT SÛR.
- Vérifiez toujours si le cran de sûreté de la carabine airsoft est enclenché et si elle est déchargée lorsque vous la recevez d'une autre personne ou la récupérez d'un entreposage.
- Ne placez jamais le doigt sur la détente ou sur le pontet tant que vous n'êtes pas prêt à tirer.
- Vous et toutes personnes près de vous devriez toujours porter des lunettes de protection.
- Portez toujours des lunettes de protection conçues pour le tir airsoft par dessus vos lunettes régulières.
- Utilisez seulement des balles BB en plastique de 6 mm.
- Ne réutilisez pas de balles tirées car elles peuvent endommager votre carabine airsoft.
- Ne tirez pas sur des surfaces dures ou sur la surface de l'eau. Les balles BB peuvent rebondir ou ricocher en direction d'une personne ou de quelque chose que vous n'avez pas l'intention d'atteindre.
- Remplacez le dispositif d'arrêt si la surface est usée. Placez le dispositif d'arrêt dans un endroit où la sécurité est assurée dans le cas où le dispositif ferait défaut.
- Votre écran pare-balles doit être vérifié après chaque utilisation pour déceler les signes d'usure. Tous les dispositifs d'arrêt s'usent et deviennent défectueux avec le temps. Remplacez l'écran pare-balles si la surface est usée ou endommagée, ou s'il se produit un ricochet.
- Ne tentez pas de démonter ou d'altérer votre carabine airsoft.
- NE FAITES AUCUNE MODIFICATION OU CHANGEMENT À VOTRE CARABINE AIRSOFT. Toute tentative de modification de votre carabine airsoft de quelque manière que ce soit peut rendre son utilisation dangereuse, causer des blessures graves ou même la mort et entraînera la nullité de la garantie.
- L'utilisation de centres de réparation non agréés ou une modification de la fonction de votre carabine airsoft, de quelque manière que ce soit, peut être dangereux et annulera votre garantie.
- N'entreposez pas votre carabine airsoft chargée. Assurez-vous que TOUTES les balles BB ont été déchargées de la carabine.
- Entrezposez toujours cette carabine airsoft en lieu sûr.

### CARACTÉRISTIQUES

Mécanisme/action	Électronique
Calibre/munitions	Balles BB en plastique de 6mm
Magasine	Jusqu'à 150 balles BB de 6 mm
Sûreté	Cran
Vitesse	Jusqu'à 400 pi/s
Pile	8,4V / 1500 MAH
Fusible	20A - tube de verre

**RENDEMENT :** Plusieurs facteurs peuvent influencer la vitesse, notamment la marque et le type de projectile, et l'état du canon. Nous recommandons l'usage exclusif des balles BB de marque Crosman pour armes airsoft. L'utilisation d'autres marques que Crosman peut endommager votre carabine airsoft.

**NE PAS RETOURNER CE PRODUIT AU MAGASIN**  
 Nos représentants du service à la clientèle se feront un plaisir de vous aider. Vous pouvez obtenir des réponses aux questions fréquemment posées en visitant www.crosman.com ou en communiquant directement avec nous au 1-800-7AIRGUN (1-800-724-7486)

### SERVICE À LA CLIENTÈLE

Si votre carabine airsoft ne fonctionne pas, nous vous recommandons d'appeler le Service à la clientèle au 1-800-724-7486 ou 585-657-6161. (Les clients à l'international doivent communiquer avec leur distributeur). N'ESSAYEZ PAS DE LA DÉMONTER. Si vous la démontez, vous serez probablement incapable de la remonter. Crosman n'assume aucune charge de la garantie dans de telles circonstances.

### GARANTIE LIMITÉE DE 90 JOURS

Ce produit, vendu au détail, est garanti contre tout défaut de matériaux et de main-d'oeuvre pour une période de 90 jours à compter de la date d'achat au détail. Cette garantie est transférable.

#### CE QUI EST COUVERT

Les pièces de remplacement et la main-d'oeuvre. Les frais de transport pour le retour au consommateur du produit réparé.

#### CE QUI N'EST PAS COUVERT

Les frais d'expédition d'un produit à Crosman. Les dommages causés par un usage abusif, une modification ou une négligence dans l'entretien normal du produit. Toute autre dépense engagée. LES DOMMAGES INDIRECTS, LES DOMMAGES OU FRAIS ACCESSOIRES, Y COMPRIS LES DOMMAGES MATÉRIELS. CERTAINS TERRITOIRES NE PERMETTENT PAS L'EXCLUSION OU LA LIMITATION DES DOMMAGES ACCESSOIRES OU INDIRECTS. PAR CONSÉQUENT, LA CLAUSE LIMITATIVE OU EXCLUSIVE CITÉE CI-DESSUS POURRAIT NE PAS S'APPLIQUER DANS VOTRE CAS.

#### RÉCLAMATIONS AU TITRE DE LA GARANTIE

Clients aux États-Unis : Annexez au produit vos nom, adresse et numéro de téléphone ainsi qu'une description du problème et une copie de la facture. Emballez et retournez à Crosman Corporation, Routes 5 & 20, East Bloomfield, NY 14443.  
 Clients à l'international : Veuillez retourner le produit au distributeur le plus près de chez vous. Si vous n'en connaissez aucun, appelez au 585-657-6161 et demandez une assistance auprès de notre Service international.

#### GARANTIES TACITES

TOUTES GARANTIES TACITES, Y COMPRIS LES GARANTIES TACITES DE QUALITÉ MARCHANDE ET D'ADÉQUATION À UN USAGE PARTICULIER, SONT LIMITÉES À UNE DURÉE DE 30 JOURS À COMPTER DE LA DATE D'ACHAT AU DÉTAIL. CERTAINS TERRITOIRES NE PERMETTENT PAS LES CLAUSES LIMITATIVES SUR LA DURÉE D'UNE GARANTIE TACITE. PAR CONSÉQUENT, LA LIMITE DE GARANTIE CITÉE CI-DESSUS POURRAIT NE PAS S'APPLIQUER DANS VOTRE CAS.  
 Si une disposition de cette garantie est interdite en vertu d'une loi fédérale, provinciale ou municipale, sur laquelle la disposition ne peut prévaloir, cette dernière ne serait pas applicable. Cette garantie vous confère certains droits reconnus par la loi. Vous pouvez également détenir d'autres droits qui varient d'un territoire à l'autre.

CROSMAN est une marque déposée de Crosman Corporation aux États-Unis.