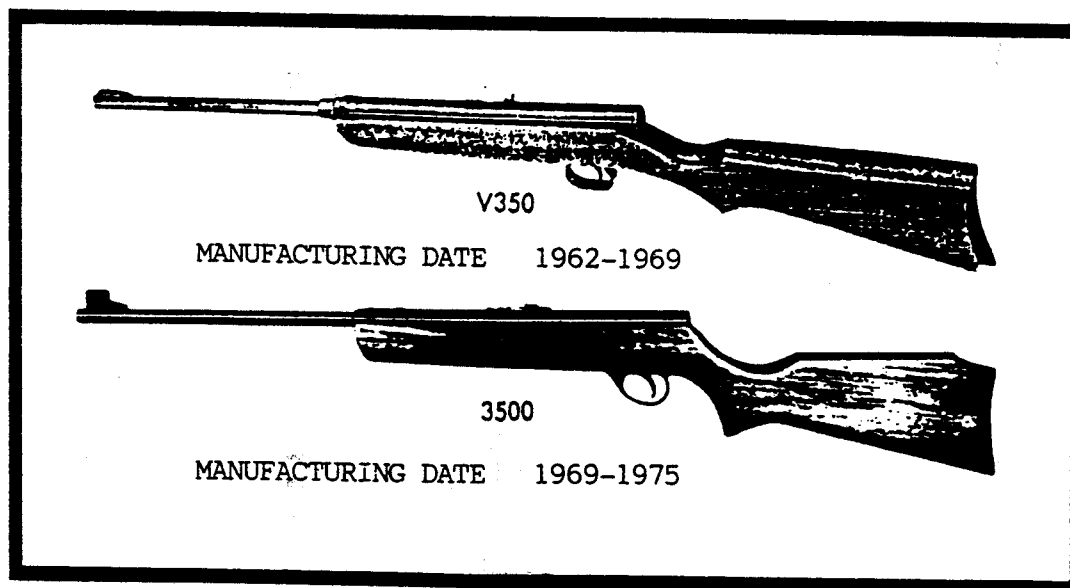




EXPLODED VIEW AND PARTS LIST

MODEL

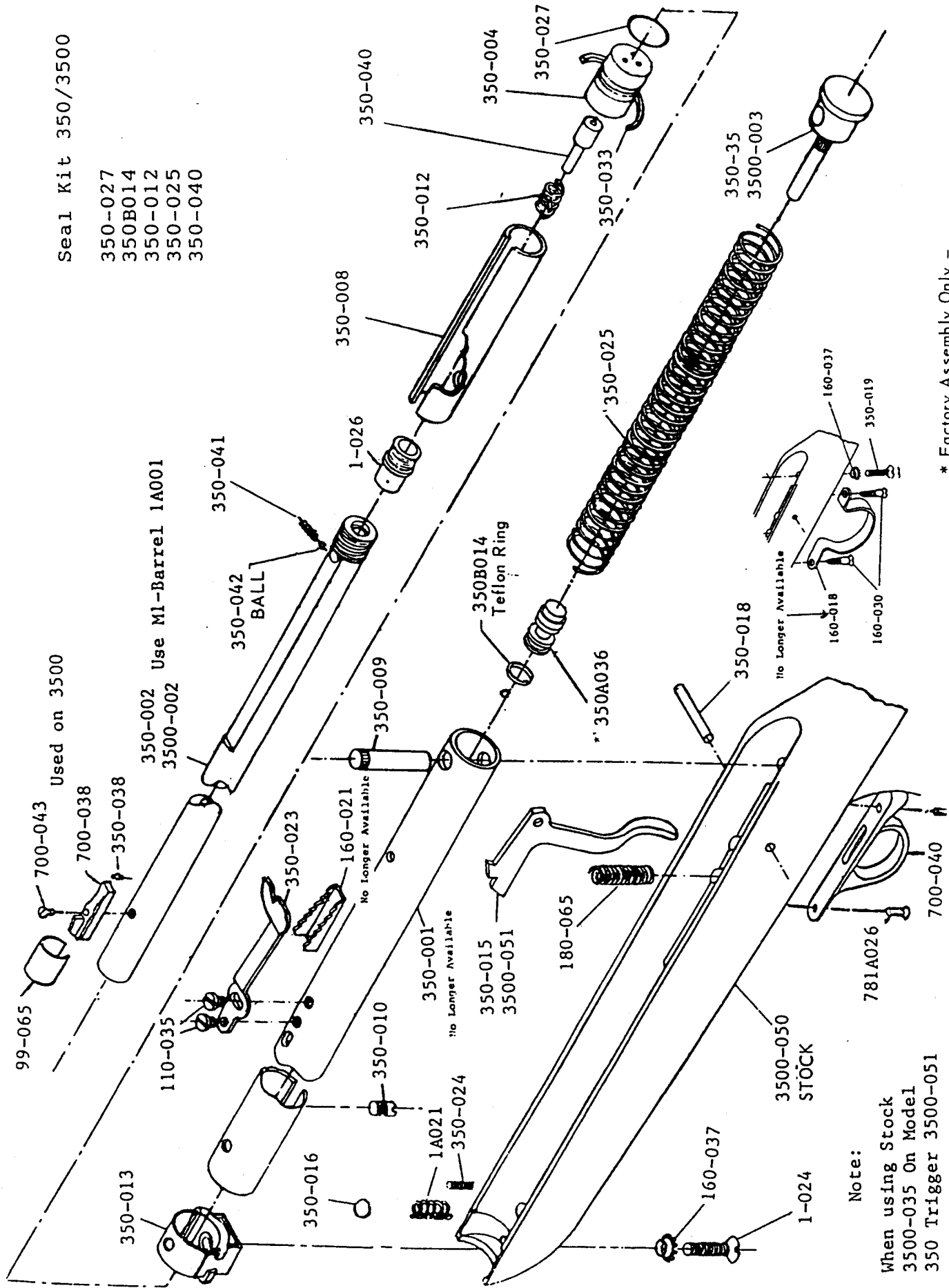
V350 - 3500 - Slide Action BB Air Rifle
22 Shot (1969)



This manual is intended primarily as an informational guide in servicing Crosman products. It is not intended as instructional material and we therefore assume no responsibility for those who use same without proper factory training.

Reprint 10/92

CROSMAN AIRGUNS
Rt. 5&20 East Bloomfield, N.Y. 14443



Seal Kit 350/3500

- 350-027
- 350B014
- 350-012
- 350-025
- 350-040

Note:

When using Stock
3500-035 On Model
350 Trigger 3500-051

* Factory Assembly Only -