



EXPLODED VIEW & PARTS LIST

RCT525 RECRUIT Pneumatic Air Rifle 177 Caliber (4.5 mm) Pellet/BB



INCLUDES PARTS INFORMATION FOR 30011 TORRENT SX

Manufacture Start Date: 01/20/08

Last Update 10/10/14

CROSMAN CORPORATION
7629 ROUTES 5 & 20
BLOOMFIELD, NY 14469
Phone: 1-800-724-7486
Parts Order Fax: 585-657-5405

www.crosman.com

- This EVP and parts list is intended to be an informational guide in ordering parts. It is not instructional material and we therefore assume no responsibility for those who use the same without proper factory training.
- Please order by part number and description.
- Check or money order for the total price must accompany the order.
- For current prices contact Crosman Corporation at 1-800-724-7486 or visit our website www.crosman.com

PARTS LIST FOR RCT525 and 30011

	PART NUMBER	DESCRIPTION	QTY
1	C760-202	Receiver Assembly, LH	1
2	760A021	BB Retainer	1
3	760B104	Spring Trigger Return	1
4	760B087	Interlock	1
5	760C083	Trigger	1
6	525-100	Insert-Latch Assembly	-
6A	525-004	Insert	1
6B	525-007	Spring	1
6C	525-006	Latch	1
7	525-008	Screw	2
8	525-005	Butt	1
9	525-001	Stock (RCT525)	1
	30011-001	Stock (30011)	1
10	760-148	Bolt, Stock	1
11	760B121	Plate, Stock Retainer	1
12	766-030	Plug Tube	1
13	760C080	Spring, Valve	1
14	760E078	Hammer	1
15	760D079	Pin, Hammer	1
16	760-016	Pin, Trigger Pivot	2
17	417-101	Valve Assembly	-
17A	130-036	Breech Gasket	1
17B	760A075	Valve Body	1
17C	130-034	O-Ring	1
17D	760-145	Stem Assembly	1
17E	760-146	Valve Spring	1
17F	760-147	Check Valve	1
17G	417-034	Check Valve Body	1
17H	130-035	O-Ring	1
18	77A011	Screw, Frame	2
19	77A012	Screw, Pivot	2
20	525-009	Receiver, RH (RCT525)	1
	30011-009	Receiver, RH (30011)	1
21	C760A150	Pump Rod Assembly	-
21A	760-140	Pump Cup	1
21B	760KB-151	Pump Rod	1
22	760A106	Pin	2
23	525-003	Forearm (RCT525)	1
	30011-003	Forearm (30011)	1
24	760-143	Pin Pivot	1
25	66-032	Screw, Barrel Guide	1

	PART NUMBER	DESCRIPTION	QTY
26	66-022	Guide, Front Barrel	1
27	66-016	Lever-Link Assembly	1
28	101-033	Pin, Plunger Guide	1
29	66D021	Barrel Housing Assembly	-
29A	766-107	Elevator	1
29B	262A200	Rear Sight	1
29C	66-032	Screw, Barrel Guide	2
29D	66C020	Barrel Housing	1
29E	66-201	Front Sight Assembly	1
30	66-0361	Barrel	1
31	66D017	Pump Tube	1
32	66-029	Barrel Housing Plug	1
33	66A035	Barrel Support	1
34	760A084	Sear	1
35	761B005	Trigger Spring	1
36	760K098	Bolt Assembly	1
37	760A017	Safety	1

Unique Parts for RCT525

9	525-001	Stock	1
20	525-009	Receiver, RH	1
23	525-003	Forearm	1

Unique parts for 30011

9	30011-001	Stock	1
20	30011-009	Receiver, RH	1
23	30011-003	Forearm	1

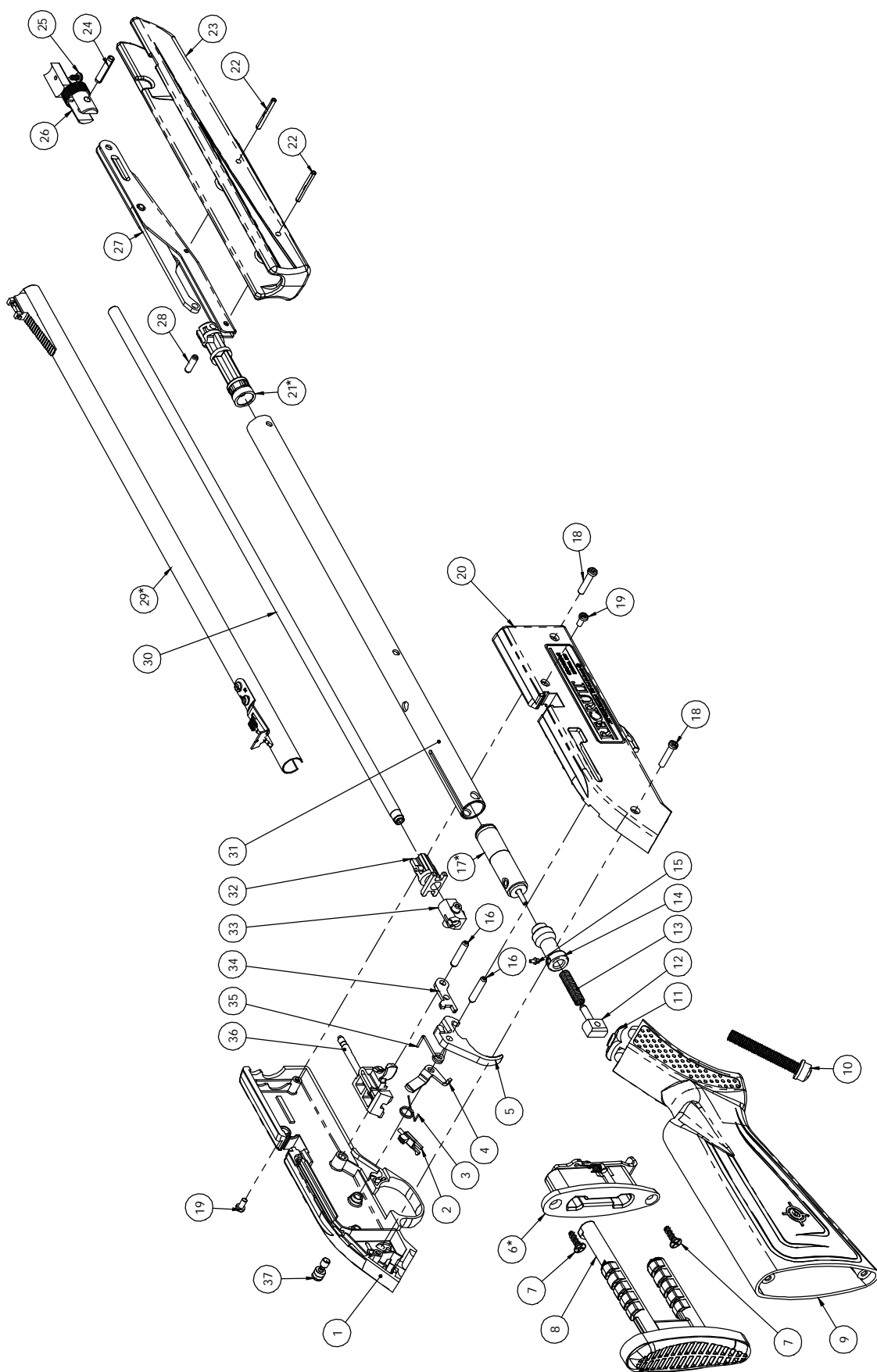
Unique Parts for 7-525-999

17	7760B031	Valve Assembly	1
17B	7760B030	Valve Body	1
*	7760-032	Washer	1
*	130-036	Breech Gasket	1

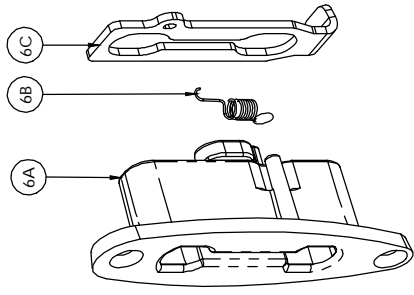
*Parts not shown on diagram

MODEL RCT525

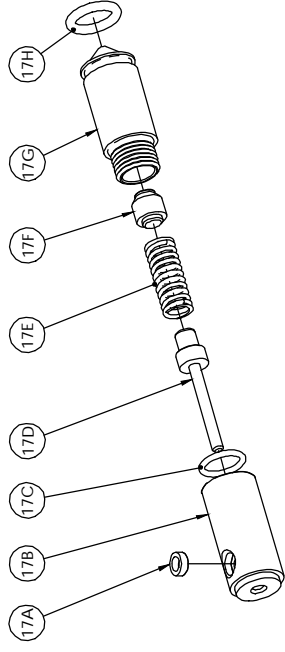
Updated 01/28/09



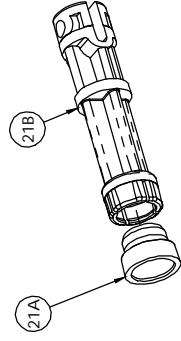
*SEE DETAILS ON NEXT PAGE



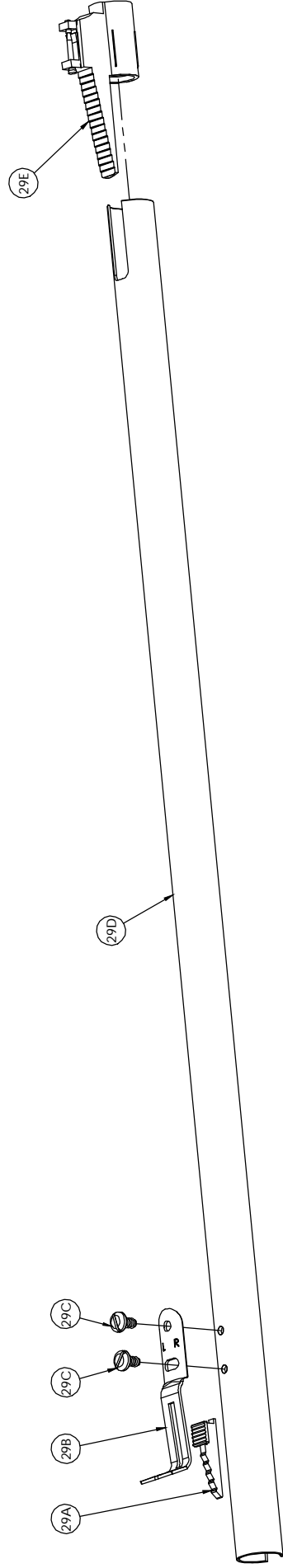
6. INSERT-LATCH ASSEMBLY



17. VALVE ASSEMBLY



21. PUMP ROD ASSEMBLY



29. BARREL HOUSING ASSEMBLY