

BENJAMIN[®]

EXPLODED VIEW & PARTSLIST

MODEL EB22 22 Cal. CO2 Pistol



CROSMAN CORPORATION
RT 5 & 20
EAST BLOOMFIELD, NY 14443
Phone: 1-800-724-7486
Parts Order Fax: 585-657-5405
www.crosman.com

EB22 PART LIST

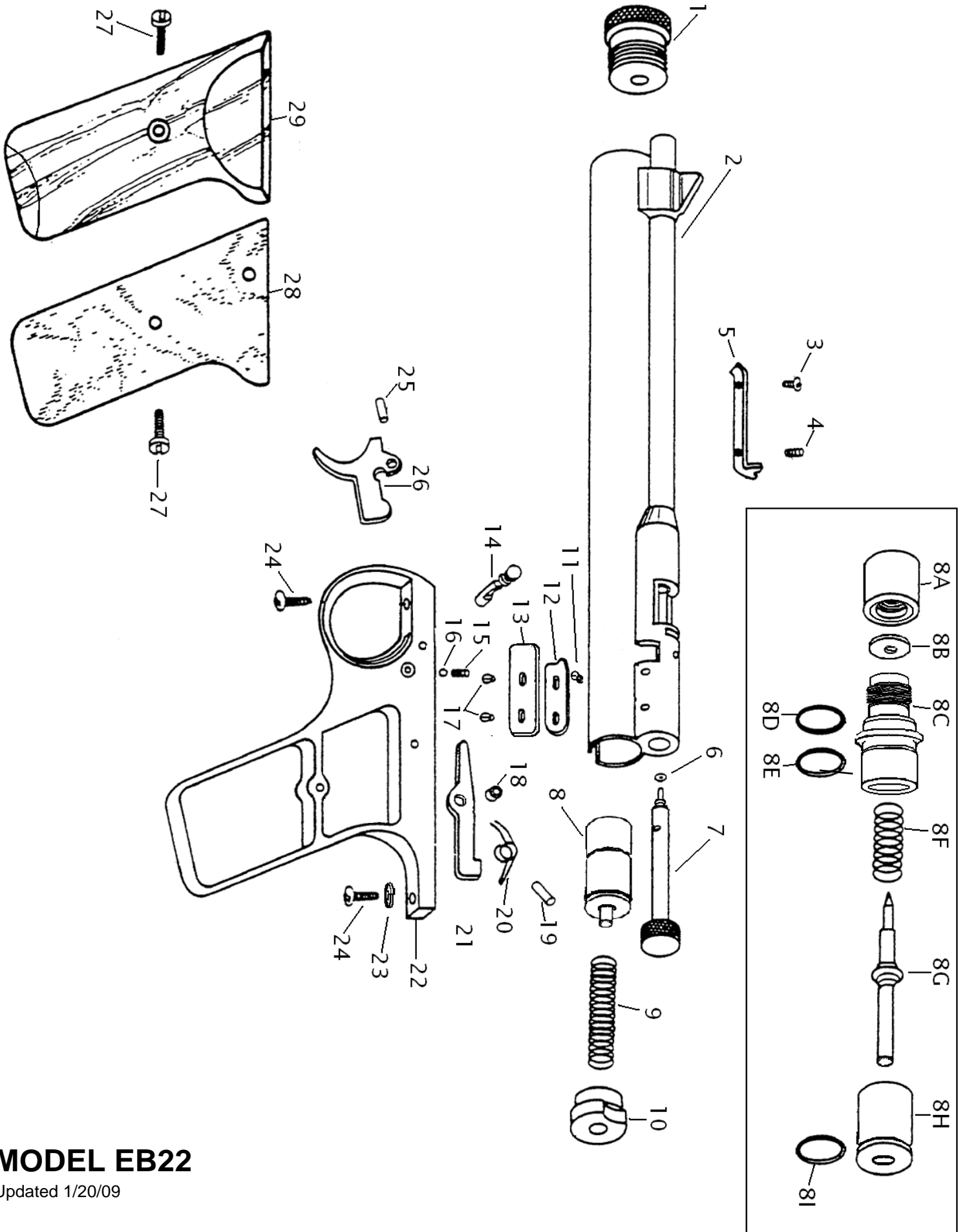
Manufacture Start Date: 5-01-08

	PART NUMBER	DESCRIPTION
1	EB17-009	Filler Cap
2	EB22-002	Barrel Assembly
3	HB17-045	Rear Sight Screw
4	397-030	Elevation Screw
5	HB17-044	Rear Sight
6	970-028	Breech Seal
7	HB22A006	Bolt
8	EB17A010	Valve Assembly
8a	G397A009	Valve Body, Inlet
8b	G397-012	Chamber Plug Face
8c	G397A010	Piercing Stem Guide
8d	JTX-080	O-Ring
8e	397-037	O-Ring
8f	G397-011	Chamber Spring
8g	G397-013	Exhaust Valve Assembly
8h	HB17A031	Valve Body, Exhaust
8i	397-036	O-Ring
9	HB17-038	Main Spring
10	HB17-037	Retaining Cap
11	HB17-047	Bolt Locking Lug
12	HB17-046	CAM Face
13	397-058	CAM Face Cover
14	HB17-016	Safety
15	HB17-048	Safety Spring
16	105-039	Detent Ball
17	397-059	Cam Face Screw (2)
18	HB17-012	Sleeve, Sear Pin
19	HB17-015	Sear Pin
20	HB17-010	Sear Spring
21	HB17-011	Sear
22	EB17-007	Grip Frame
23	EB17-011	Lock Washer
24	HB17-039	Frame Screw
25	HB17-014	Trigger Pin
26	HB17-013	Trigger
27	HB17-019	Grip Screw
28	HB17-017	Grip, Right Hand *
29	HB17-018	Grip, Left Hand *

* Grips must be purchased as a set.

- This parts list is intended to be an informational guide in ordering parts. It is not instructional material and we therefore assume no responsibility for those who use the same without proper factory training.
- Please order by part number and description.
- Check or money order for the total price must accompany the order.
- For current prices contact Crosman Corporation at 1-800-724-7486 or visit our website www.crosman.com

Updated:1/21/08



MODEL EB22

Updated 1/20/09