

CROSMAN



AIRGUNS

# **Challenger**

THE WORLD CLASS AIRGUN

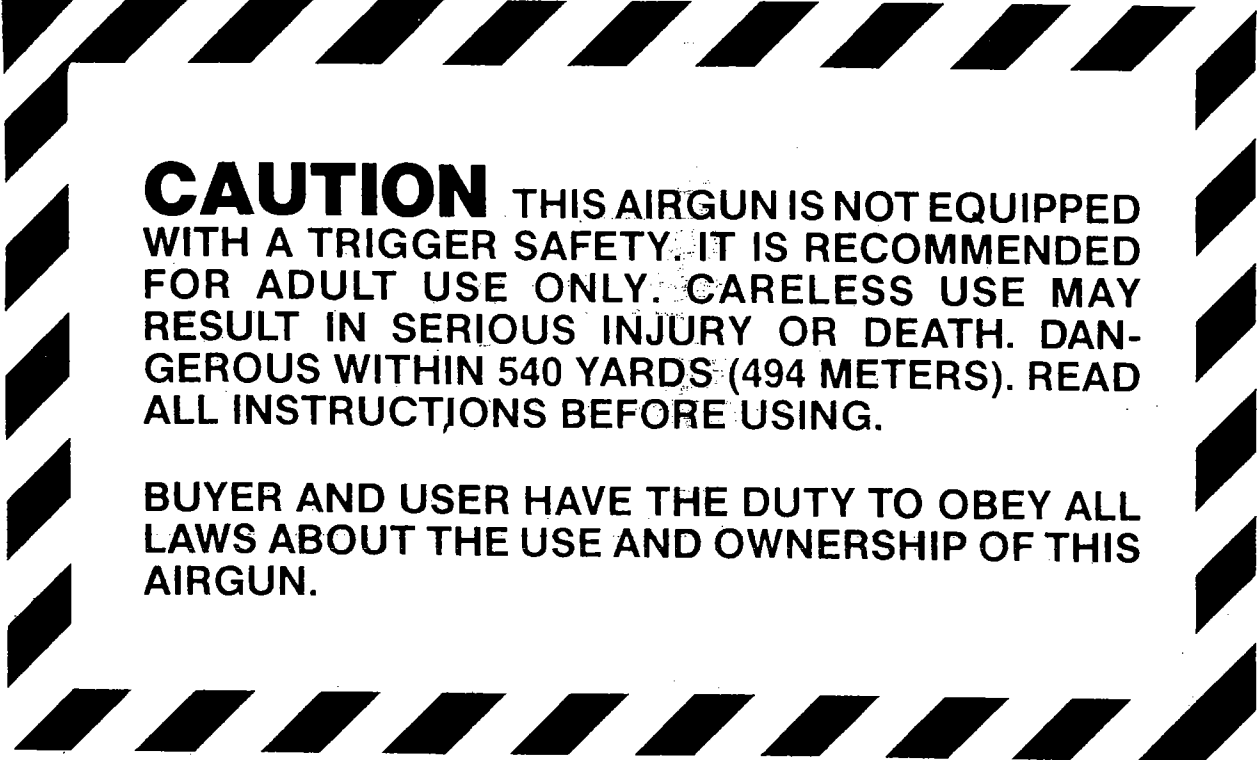
## CONGRATULATIONS

Your decision to select the best in precision air rifles—a Crosman Challenger World Class Airgun—will bring you years of challenging air rifle shooting. Consistency, accuracy and fine attention to detail have been hallmarks of both Crosman and our fine West German manufacturer for decades.

### Join the ranks of air rifle sport shooters!

Limited space and the rapidly increasing expense of firearm shooting has led to a dramatic increase in interest in the high power and accuracy found in the adult airguns. As a proud owner of a Crosman Challenger air rifle, you can now enjoy year round training indoors or out—and olympic-style competitive shooting events at a fraction of the cost of firearm shooting.

Take the time to read about the features and proper safe gun handling techniques on the following pages. It is essential to safe operation and will help increase your enjoyment of this fine arm.



**CAUTION** THIS AIRGUN IS NOT EQUIPPED WITH A TRIGGER SAFETY. IT IS RECOMMENDED FOR ADULT USE ONLY. CARELESS USE MAY RESULT IN SERIOUS INJURY OR DEATH. DANGEROUS WITHIN 540 YARDS (494 METERS). READ ALL INSTRUCTIONS BEFORE USING.

BUYER AND USER HAVE THE DUTY TO OBEY ALL LAWS ABOUT THE USE AND OWNERSHIP OF THIS AIRGUN.

**CAUTION:** THE CROSMAN CHALLENGER MODEL 6300 AND CROSMAN CHALLENGER MODEL 6500 ARE DESIGNATED AS ADULT AIRGUNS. THEY ARE NOT EQUIPPED WITH A TRIGGER SAFETY, THEY MAY HAVE TRIGGER PULLS BELOW 2 POUNDS, AND THEY MAY FIRE WHEN DROPPED.

THESE AIRGUNS ARE INTENDED FOR USE BY EXPERIENCED ADULT SHOOTERS WHO UNDERSTAND THEIR PROPER AND SAFE USE.

THE TRIGGER ADJUSTMENT IS SET AT THE FACTORY AND SHOULD NOT BE ALTERED. IMPROPER ADJUSTMENT MAY CAUSE THE GUN TO FIRE WHEN SNAPPED SHUT OR OTHER HAZARDOUS RESULTS.

**SPECIFICATIONS**

Mechanism	Spring Air
Caliber	.177
Ammunition	.177 Challenger Pellets
Weight (approx.)	6500 - 7½ lbs.    6300 - 6 lb. 6 oz.
Overall Length	6500 - 43¾ in.    6300 - 40 4/5 in.
Sights: Rear	Micrometer
Front:	6500 - Tunnel with interchangeable aperture inserts 6300 - Hooded with pearl bead
Barrel	Rifled Steel

**PERFORMANCE**

Average Muzzle Velocity	Projectile
690-720 feet per second	.177 pellet

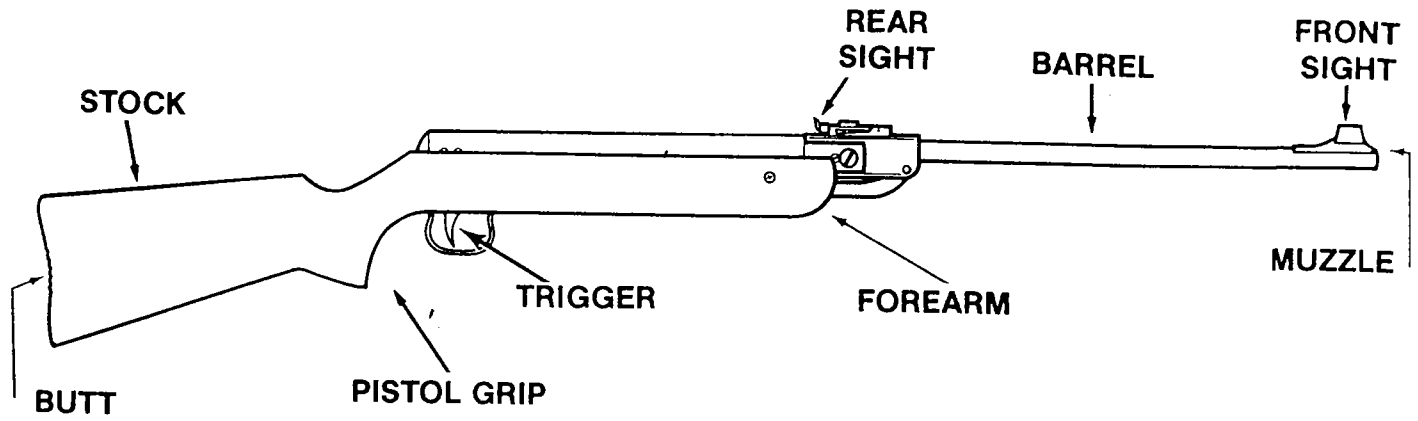
3

**STEPS FOR SAFE SHOOTING**

	PAGE
STEP 1.    Learning the Nomenclature of Your Rifle .....	5-6
STEP 2.    How to Cock Your Airgun .....	7-8
STEP 3.    Loading and Unloading Your Airgun .....	9-10
STEP 4.    Aiming and Firing Safely .....	11
STEP 5.    Adjusting the Sights .....	12-13
STEP 6.    Removing a Jammed Pellet .....	14
STEP 7.    Maintaining Your Rifle .....	15-16
STEP 8.    Reviewing Safety .....	17

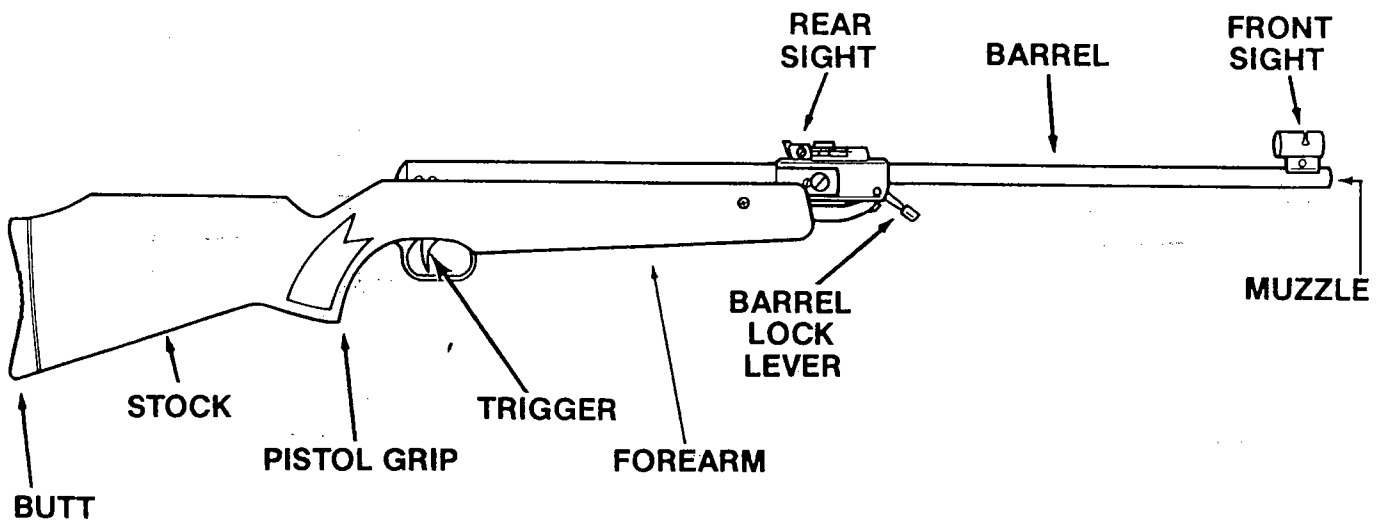
STEP 1. Learning the Nomenclature of Your Rifle

MODEL 6300



Model 6300

MODEL 6500



MODEL 6500

## STEP 2. How to Cock Your Airgun

### A. MODEL 6500

- Brace the butt of the rifle against your leg.
- Grasp the rifle by the pistol grip with one hand (make sure you do not touch the trigger) and place your other hand over the barrel. (Fig. 1.)
- Press the barrel lock lever with your thumb up toward the barrel (this unlocks the barrel) and pull the barrel downward. (Fig. 2.)
- Move your hand up the barrel toward the front sight and pull the barrel downward until you hear a click. Do not pull past this point and do not use excessive force or speed when cocking your rifle.
- Be careful not to pinch your hand or fingers in the hinge area of the barrel.

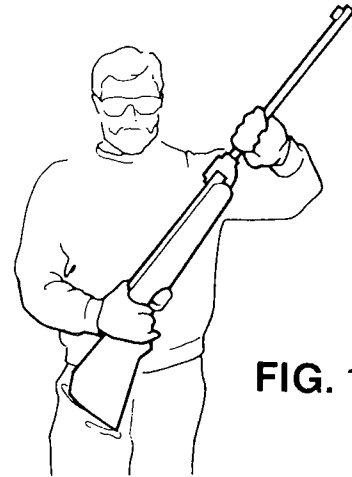


FIG. 1

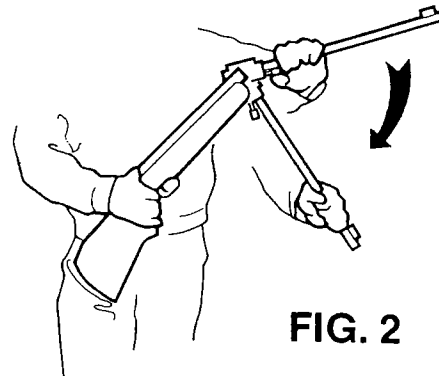


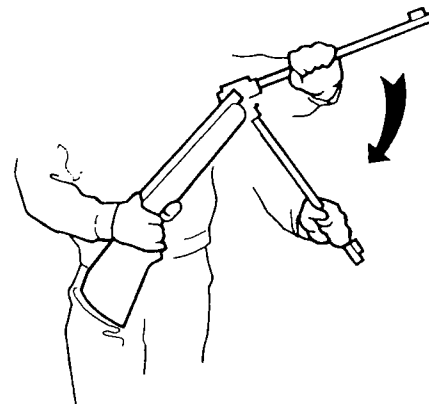
FIG. 2

7

### B. MODEL 6300

- Brace the butt of the rifle against your leg.
- Grasp the rifle by the pistol grip with one hand (make sure you do not touch the trigger) and place your other hand over the barrel. (Fig. 1.)
- Pull the barrel downward until you hear a click. Do not pull past this point and do not use excessive force or speed when cocking your rifle. (Fig. 3.)
- Be careful not to pinch your hand or fingers in the hinge area of the barrel.

FIG. 3



### STEP 3. Loading and Unloading Your Airgun

#### A. LOADING YOUR AIRGUN

DO NOT fire your rifle without a pellet in the chamber (dry fire). This will permanently damage your rifle.

- With the barrel in the open position, place one .177 caliber pellet, nose forward, into the breech. (Fig. 4.) Make sure that the skirt of the pellet is flush with face of breech. If it is not the skirt will be deformed and will cause your shot to be inaccurate. (Fig. 4.)
- Move the barrel back to its original position by pushing the barrel up until it locks. Once again, be careful not to pinch your hands or fingers. (Fig. 5.)

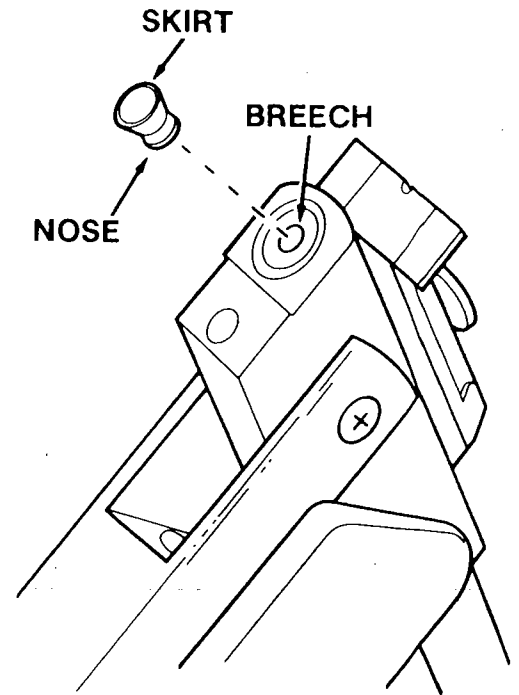


FIG. 4

**WARNING:** YOUR RIFLE IS NOW LOADED AND READY TO FIRE! DON'T POINT AT ANYTHING YOU DON'T INTEND TO SHOOT!

9

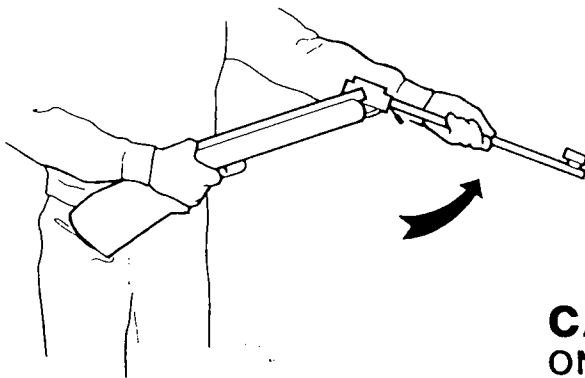


FIG. 5

**CAUTION:** USE .177 CALIBER PELLETS ONLY. NEVER REUSE AMMUNITION. USE OF ANY OTHER AMMUNITION CAN CAUSE INJURY TO YOU OR DAMAGE TO THE RIFLE.

#### B. UNLOADING YOUR AIRGUN

Once you have loaded your rifle, the only way to unload it is to point it in a safe direction and fire it. REMEMBER, choose your targets carefully (see Step 4) and be sure that the area around your target is clear. THINK! What will you hit if you miss the target!

#### STEP 4. Aiming and Firing Safely

Always aim your rifle in a SAFE DIRECTION. Be sure of your target and backstop and be sure the area around the target is clear.

Don't shoot at hard surfaces or at the surface of water. The pellet may bounce off/ricochet and hit someone or something you had not intended to hit. Always choose your targets carefully. It is best to shoot at paper bullseye targets which are attached to a target trap such as the Crosman Target Trap. Be sure that the entire area, even beyond the target and around the target is safe. When shooting inside, a heavy blanket or carpet should be hung approximately 12 inches from your backstop to prevent ricochet should you miss the target. It is also best to wear shooting glasses to protect your eyes.

**CAUTION:** YOUR BACKSTOP SHOULD BE INSPECTED FOR WEAR BEFORE AND AFTER EACH USE. DISCONTINUE USE IF THE BACKSTOP SURFACE SHOWS SIGNS OF FAILURE. SINCE BACKSTOP SURFACES EVENTUALLY FAIL, ALWAYS PLACE THE BACKSTOP IN A LOCATION THAT WILL BE SAFE SHOULD THE BACKSTOP FAIL. DISCONTINUE THE USE OF A BACKSTOP IF THE PELLET REBOUNDS OR RICOCHETS.

Always remember to place your target carefully. THINK what will you hit if you miss the target!

11

#### STEP 5. Adjusting the Sights

##### A. MODEL 6500

##### Front Sight

The Model 6500 is equipped with two interchangeable aperture inserts. To change the inserts:

- Press the cylindrical plunger inward with your thumb. (Fig. 6.)
- Holding the insert by the right hand larger locking ear, insert the aperture into the open slot. (Fig. 6.)
- Now, remove your thumb and the spring will push the inside plunger back and the ears on the insert into their proper position.

##### Rear Sight

**Elevation** is set by means of the knurled rear sight elevating dial situated on the rear sight plate. Turn the dial counter-clockwise to make the pellet hit higher on the target and turn the dial clockwise to make the pellet hit lower on the target. (Fig. 7.)

APERTURE

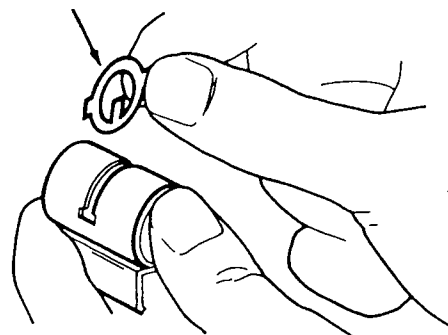


FIG. 6

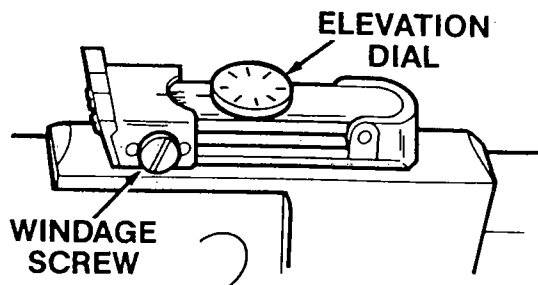


FIG. 7

12

**Windage** is set by moving the rear sight windage screw located on the right side of the sight. Turn the screw counterclockwise to move the sight to the right and clockwise to move it to the left. (Fig. 7.)

B. MODEL 6300

**Front Sight**

The Model 6300 is equipped with a pearl bead and hood protector.

**Rear Sight**

**Elevation** is set by means of the knurled rear sight elevation dial situated on the rear sight plate. Turn the dial counterclockwise to make the pellet hit higher on the target and turn the dial clockwise to make the pellet hit lower on the target. (Fig. 8.)

**Windage** is set by loosening the rear sight windage screws and moving the rear sight notch to the right or to the left. (Fig. 8.)

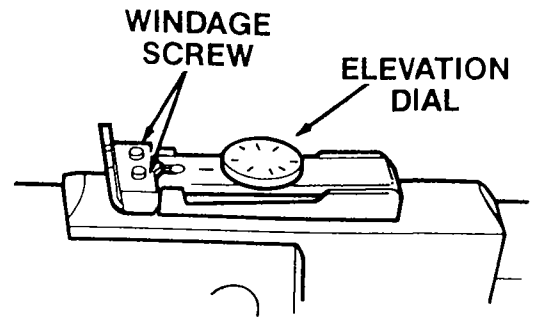


FIG. 8

1 13

**STEP 6. Removing a Jammed Pellet**

- Don't reload.
- Cock the rifle, point the rifle in a safe direction and fire it.
- Break the barrel action open slightly (without pulling the barrel all the way down to the point that it cocks the action - (Fig. 9.) and look down the breech end of the barrel to see if the gun is still jammed. If it is—
- Insert a cleaning rod into the muzzle and push the jammed pellet out of the breech. (Fig. 9.) Don't try to reuse the pellet.

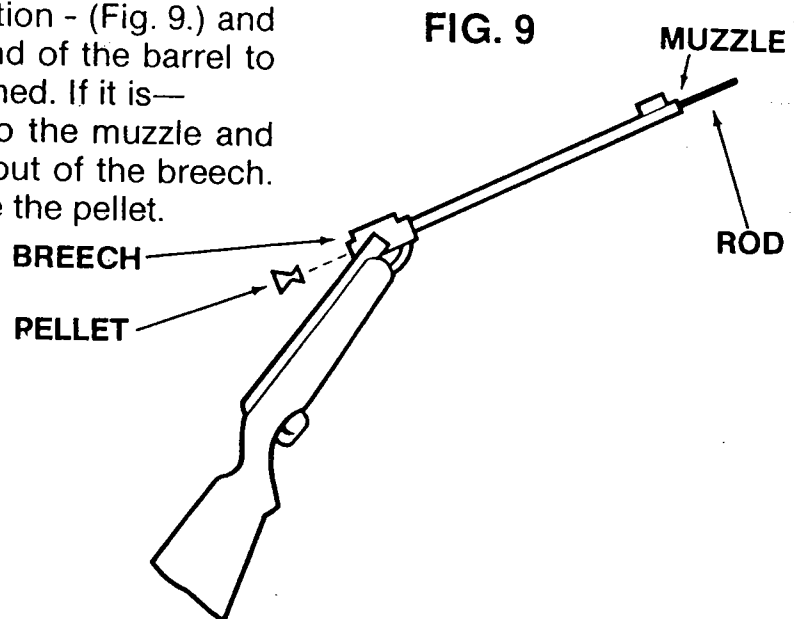


FIG. 9



### STEP 7. Maintaining Your Airgun

To ensure that your rifle maintains uniform power, it is important that you apply 2 to 3 drops of Crosman Pellgunoil every 250 shots through the air channel into the compression chamber and on the barrel pivot screw. (Fig. 10.) The external parts should be cleaned with a cloth that has Pellgunoil on it.

Tampering with the gun or attempts to change the gun in any way make it unsafe to use. Any change in performance, such as lowered trigger force or shortened trigger travel, indicates possible wear or broken parts. Don't use the rifle again until you've had it checked by a Crosman repairman. Check your rifle if it has been dropped to ensure that its function has not been affected.

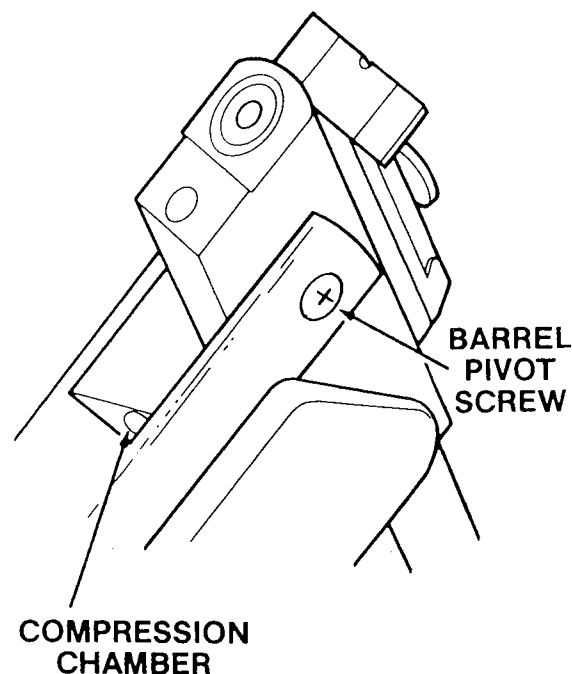


FIG. 10

**CAUTION: USE PELLGUNOIL ONLY AND DO NOT OVER OIL. TO DO SO CAN CAUSE POSSIBLE DAMAGE TO THE GUN AND INJURY TO THE SHOOTER AND BYSTANDERS.**

**REPAIR SERVICE:** If your gun needs repair, we recommend you take or send it to your nearest Crosman Authorized Service Center, (list of service centers in box with gun). Your gun requires special tools and fixtures to repair it. If you take it apart, you probably will not be able to reassemble it correctly. Crosman assumes no warranty responsibility in this case.

## LIMITED ONE YEAR WARRANTY

This product is warranted to the retail consumer for one year from date of retail purchase against defects in material and workmanship and is transferable. To register the serial number of your gun, please return the Airgun registration form. The warranty is not conditioned on the return of the card.

### WHAT IS COVERED

Replacement parts and labor. Transportation charges to consumer for repaired product.

### WHAT IS NOT COVERED

Transportation charges to Crosman for defective product. Damages caused by abuse or failure to perform normal maintenance — see Owner's Manual. Sales outside of the United States. Any other expense. CONSEQUENTIAL DAMAGES, INCIDENTAL DAMAGES, OR INCIDENTAL EXPENSES, INCLUDING DAMAGE TO PROPERTY. SOME STATES DO NOT ALLOW THE EXCLUSION OR LIMITATION OF INCIDENTAL OR CONSEQUENTIAL DAMAGES, SO THE ABOVE LIMITATION OR EXCLUSION MAY NOT APPLY TO YOU.

### HOW TO OBTAIN WARRANTY PERFORMANCE

Locate nearest Crosman service Center on list with Product. Attach to Product your name, address, description of problem, phone number and proof of date of retail purchase (sales slip). Package and return Product to Crosman Service Center, transportation charges prepaid.

### IMPLIED WARRANTIES

ANY IMPLIED WARRANTIES, INCLUDING THE IMPLIED WARRANTIES OF MERCHANTABILITY AND FITNESS FOR A PARTICULAR PURPOSE, ARE LIMITED IN DURATION TO ONE YEAR FROM DATE OF RETAIL PURCHASE. SOME STATES DO NOT ALLOW LIMITATIONS ON HOW LONG AN IMPLIED WARRANTY LASTS, SO THE ABOVE LIMITATIONS MAY NOT APPLY TO YOU.

To the extent any provision of this warranty is prohibited by federal, state, or municipal law which cannot be preempted, it shall not be applicable. This warranty gives you specific legal rights, and you may also have other rights which vary from state to state.

## STEP 8. Reviewing Safety

- Don't point at anything you don't intend to shoot. Always aim in a SAFE DIRECTION.
- Don't pinch hands or fingers when opening or closing barrel.
- Use .177 caliber pellets only. Never reuse ammunition.
- Don't shoot at hard surfaces or at the surface of water. The pellet may bounce off and hit someone or something you had not intended to hit.
- Stop using a backstop if it becomes worn. Place backstop in a location that will be safe should the backstop fail.
- Do not attempt to disassemble or tamper with your gun. Use a competent repairman.
- Always handle your rifle as though it were loaded.
- Always check to see if the rifle is unloaded when getting it from another person or from storage.
- Don't put the rifle away loaded. Make sure the gun is unloaded (Step 3).
- Any change in performance indicates possible wear or broken parts. Don't use the rifle again until it has been checked by a competent repairman.