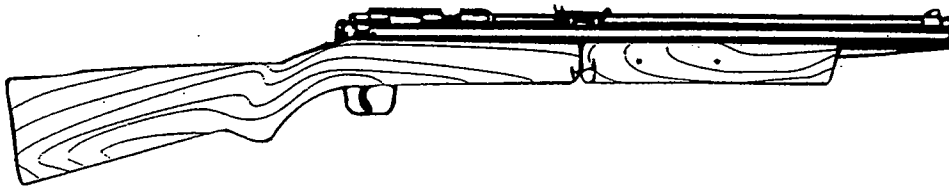




EXPLODED VIEW, PARTS AND PRICE LIST

MODEL 392/S392 & 397/S397



This parts and price list is intended to be an informational guide in ordering Benjamin parts . It is not instructional material and we therefore assume no responsibility for those use same without proper factory training.

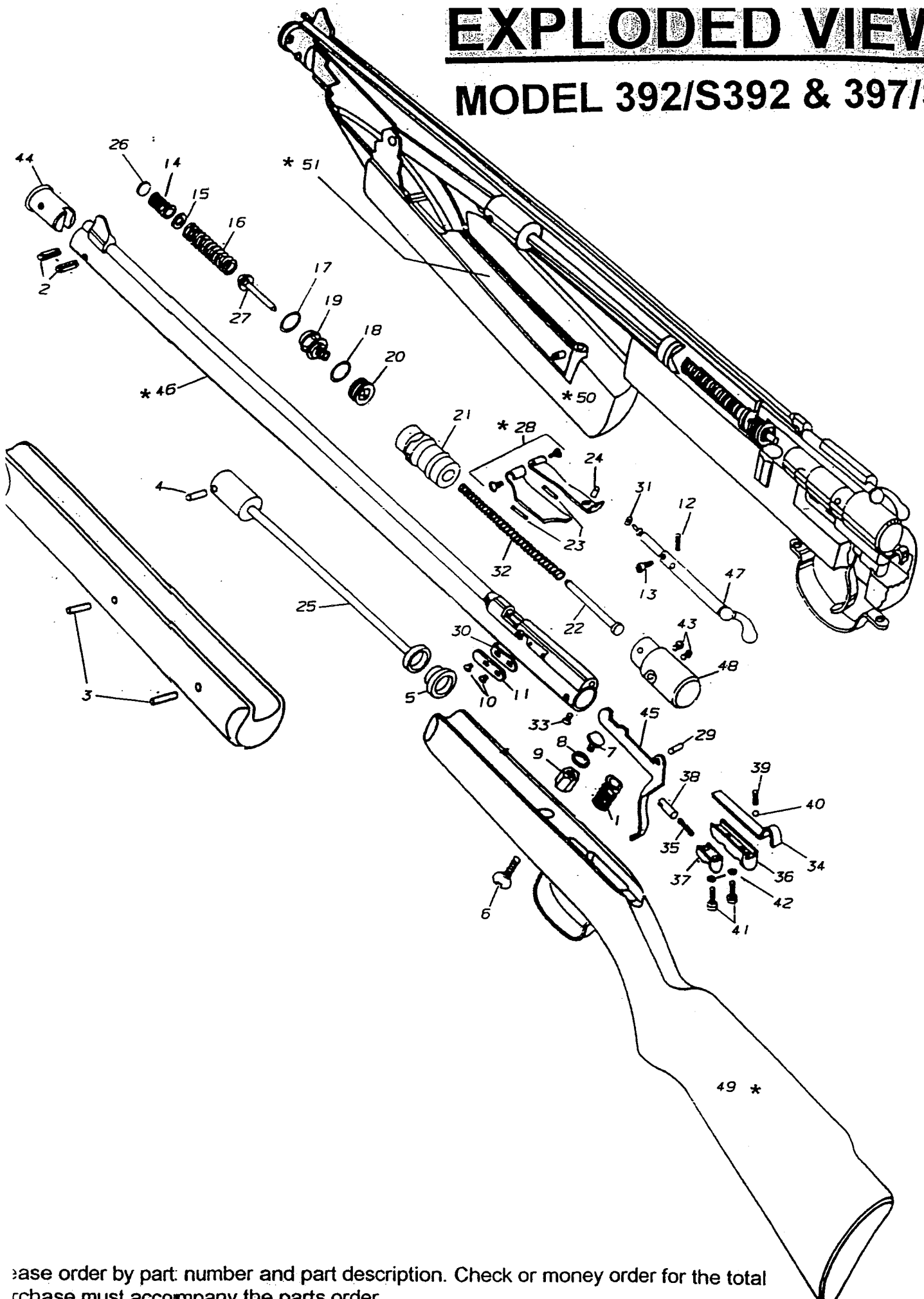
PARTS & PRICE LIST MODEL 392/S392 & 397/S397

PART NO	PART NAME	PRICE	
1	766-091 SEAR SPRING	\$0.50	
2	C102 SPRING PIN	\$0.50	
3	C204 FOREARM PIN	\$0.50	
4	C210 CROSS HEAD PIN	\$0.50	
5	C218 PISTON HEAD	\$0.58	
6	C302 RECEIVER / STOCK SCREW	\$0.50	
7	C304 ACTION FASTNER SCREW	\$0.50	
8	C305 ACTION FASTNER WASHER	\$0.50	
9	C306 ACTION FASTNER NUT	\$0.64	
10	C308 CAM FACE SCREW	\$0.50	
11	C309-1 CAM FACE COVER	\$0.73	
12	C403 BOLT BODY SPRING	\$0.50	
13	C404-A BOLT LOCKING LUG	\$0.72	
14	C503-1 INTAKE CHAMBER SPRING	\$0.50	
15	C503-2 CHAMBER SPRING SPACER	\$0.50	
16	C503-3 EXHAUST VALVE SPRING	\$0.77	
17	C506 VALVE GUIDE GASKET	\$0.50	
18	C506-1 LEAD VALVE GUIDE GASKET	\$0.50	
19	C507 VALVE GUIDE	\$2.07	
20	C508 VALVE GUIDE RETAINER NUT	\$0.89	
21	C601-B STRIKER	\$5.54	
22	C603 GUIDE PIN	\$0.50	
23	C701 BASE GRIP (2 REQUIRED)	\$0.50	not included with CX702
24	C708 REAR SIGHT ELEVATION SCREW	\$0.50	not included with CX702
25	CX201 PISTON ROD ASSEMBLY	\$8.37	
26	10010 INTAKE VALVE ASSEMBLY	\$0.91	
27	CX505-3 EXHAUST VALVE ASSEMBLY	\$2.31	
28	CX702 REAR SIGHT ASSEMBLY	\$6.43	does not include C701 & C708
29	E615 TRIGGER PIN	\$0.50	
30	N307 CAM FACE	\$0.50	
31	N401-22 .22 CAL BOLT SEAL	\$0.50	
	N401-77 .177 CAL BOLT SEAL	\$0.50	
32	N602-2 MAIN SPRING	\$0.50	
33	N605 RETAINING CAP SCREW	\$0.50	
34	N611-1 SAFETY SLIDE	\$1.88	
35	N616-1 TRIGGER SPRING	\$0.50	
36	N624 SAFETY MOUNT	\$5.39	
37	N625-A TRIGGER SPRING RETAINER	\$2.34	
38	N626-A TRIGGER SPRING PIN	\$0.54	
39	392-004 SAFETY SPRING	\$0.50	
40	392-006 SAFETY BALL	\$0.50	
41	N629 SOCKET HEAD CAP SCREW	\$0.50	
42	N630 SPLIT LOCK WASHER	\$0.50	
43	N631 RETAINING CAP SCREW	\$0.50	
44	NB101 MUZZLE CAP	\$4.07	
45	NB614 TRIGGER (BLACK)	\$1.96	
	NN614 TRIGGER (NICKEL)	\$2.12	
46	NBX122 TUBE ASSEMBLY , BLACK .22 CAL	\$92.05	
	NBX177 TUBE ASSEMBLY, BLACK .177 CAL	\$93.89	
	NNX122 TUBE ASSEMBLY, SILVER .22 CAL	\$110.15	
	NNX177 TUBE ASSEMBLY, SILVER .177 CAL	\$109.73	
47	NX400-22 .22 CAL BOLT ASSEMBLY	\$6.38	
	NX400-77 .177 CAL BOLT ASSEMBLY	\$6.70	
48	392-005 RETAINING CAP ASSEMBLY	\$13.34	
49	NX800 STOCK ASSEMBLY	\$50.62	
50	NX801B FOREARM ASSEMBLY (BLACK)	\$27.93	
	NX801N FOREARM ASSEMBLY (SILVER)	\$29.19	
51	NX802B LEVER & LINK ASSEMBLY (BLACK)	\$7.45	
	NX802N LEVER & LINK ASSEMBLY (SILVER)	\$11.47	

* FACTORY ASSEMBLY ONLY PRICES SUBJECT TO CHANGE WITHOUT NOTICE.
PLEASE ORDER BY PART NUMBER AND PART DESCRIPTION. CHECK OR MONEY ORDER
FOR THE TOTAL PURCHASE MUST ACCOMPANY THE PARTS ORDER.

EXPLODED VIEW

MODEL 392/S392 & 397/S397



Please order by part number and part description. Check or money order for the total purchase must accompany the parts order.