

KEEP FOR FUTURE REFERENCE — INSTRUCTION SHEET FOR NO. 262-267

**BENJAMIN SUPER CO<sub>2</sub> ROCKET SINGLE SHOT GAS PISTOLS WITH 2-STAGE HI-LO JET POWER**

THIS GUN HAS BEEN CAREFULLY TESTED and passed our inspection. The operation of same is under your control and it will give satisfactory results if instructions are carefully followed.

**KNOW YOUR GUN.** It is important that you understand how gun operates to obtain satisfactory performance.

**SAFETY RULES—1. ALWAYS KEEP SAFETY "ON" AT ALL TIMES UNTIL YOU ARE READY TO FIRE TO PREVENT ACCIDENTAL DISCHARGE.**

2. NEVER EXPOSE CHARGED GUN OR FULL CO<sub>2</sub> CARTRIDGES TO SUN OR ANY OTHER HEAT.
3. DO NOT PUT PISTOL AWAY WITH CO<sub>2</sub> GAS IN IT AND DO NOT PUT PISTOL AWAY WITH AMMUNITION IN IT.
4. NEVER REMOVE KNURLED No. 2624 MUZZLE PLUG UNTIL ALL GAS PRESSURE HAS BEEN COMPLETELY DISCHARGED. TO EMPTY GUN OF GAS PRESSURE CONTINUE FIRING IT BLANK UNTIL ALL GAS PRESSURE IS GONE. DO NOT ATTEMPT TO EXHAUST PRESSURE BY REMOVING MUZZLE PLUG No. 2624.
5. NEVER LOAD PELLET INTO SHOT BARREL UNTIL AFTER GUN HAS BEEN CHARGED WITH CO<sub>2</sub> GAS.
6. KEEP CO<sub>2</sub> CARTRIDGES IN A COOL PLACE.

TO CHARGE ROCKET PISTOL with CO<sub>2</sub> Gas remove No. 2624 knurled Muzzle Plug and drop No. 2500 BENJAMIN SUPER CO<sub>2</sub> CARTRIDGE into No. 2622 Large Barrel, small neck first. Examine No. 2621 "O" Ring on Muzzle Plug, and if "O" Ring is OK assemble Muzzle Plug to Gas Chamber and tighten same by hand with snug fit; do not use pliers or wrench for tightening Muzzle Plug. Turn No. 2665 Bolt Button on No. 2666 Bolt to left until Bolt Button Pin clears No. 2601 Breech Cap; pull Bolt straight back all the way to maximum power setting until No. 2603 Trigger is engaged when you will hear a double click. Push Bolt forward and turn Bolt Button to right, so that it locks in Breech Cap and seals Breech End of Shot Barrel. Pull Trigger; No. 2635 Striker will pierce Cartridge, releasing CO<sub>2</sub> Gas which charges Pistol. Gun is now ready for shooting.

No. 262 ROCKET PISTOL Shoots Cal. .22 BENJAMIN H-C PELLETS; Cal. .22 BENJAMIN DARTS can be used in this model if metal shanks are smooth (without burrs) so they do not damage rifling in Shot Barrel.

No. 267 ROCKET PISTOL Shoots Cal. .177 BENJAMIN H-C PELLETS; Cal. .177 BENJAMIN DARTS can be used in this model if metal shanks are smooth (without burrs) so they do not damage rifling in Shot Barrel.

TO LOAD PELLETS pull Bolt back until it engages Trigger (as explained above) to either LOW (1 click) or HIGH (2 clicks) setting; place BENJAMIN H-C PELLET in Breech Opening (solid round end of Pellet forward) ahead of Bolt; push Bolt forward and lock it (as explained above); this will advance Pellet to shooting position.

USE BENJAMIN H-C PELLETS FOR BEST RESULTS. WE DO NOT GUARANTEE SATISFACTORY PERFORMANCE WITH INFERIOR AMMUNITION. If your Dealer cannot furnish BENJAMIN H-C PELLETS order direct from FACTORY. DO NOT USE PELLETS OVER AGAIN.

TO LOAD DARTS pull Bolt back until it engages Trigger (as explained above) and push pointed end of DART in Breech End of Shot Barrel till tail clears front end of Bolt when closed. Lock Bolt.

TAKE SAFETY OFF before firing by pushing Safety Button No. 2654 to left before aiming and shooting; IF YOU DO NOT SHOOT PUT SAFETY ON BY PUSHING Safety Button to right and keep Safety Button in that position until you are ready to shoot.

USE GUN OFTEN as frequent operation keeps No. 2634 Outlet Valve flexible. If Outlet Valve leaks after gun has been stored away it is probably due to loss of elasticity in Outlet Valve Packing and Outlet Valve should be replaced.

TO REPLACE CO<sub>2</sub> CARTRIDGE after all of the Gas Pressure in gun has been used, remove Muzzle Plug and point gun below level; empty Cartridge should fall out. If empty Cartridge adheres in Gas Chamber it may be held by a thin coating of rust around the Cylinder and Cartridge caused by condensation due to Changes in Temperature, but you should not have any difficulty in loosening it. Coat inside of Gas Chamber and outside of Cartridge with a thin film of light grease or oil to resist rusting. Wipe Cylinder and Cartridge to remove excessive lubrication. Follow instructions (as explained above) for charging Gun with CO<sub>2</sub> Gas. These Cartridges are not refillable.

IF No. 2621 "O" Ring ON MUZZLE END BECOMES SWOLLEN when Muzzle Plug is removed, do not be alarmed. Swelling is caused by "O" Ring having absorbed some of the gas while under pressure. As soon as the gas escapes from it, "O" Ring will return to normal condition. Do not attempt to assemble Muzzle End while "O" Ring is swollen. Allow about 15 minutes for "O" Ring to return to its regular shape. Always cover Threaded Portion of Muzzle End with Scotch Tape before installing "O" Ring replacement to prevent any damage to "O" Ring.

OUR WARRANTY REQUIRES PURCHASER to mail Registration Card to Factory promptly. WRITE FACTORY about NEW GUNS that are not entirely satisfactory. Advise model and from whom gun was received or purchased, also price paid and what the trouble is, etc., so we can recommend proper care or handling of gun. WE DO NOT REPLACE GUNS or authorize Dealers to exchange them. We will not service Guns purchased at reduced prices Under WARRANTY.

SOME OF OUR DEALERS are equipped to service BENJAMIN under WARRANTY and to repair Current Models. Ask us for location of nearest authorized Repair Depot in your area.

~~WE GUARANTEE SATISFACTORY PERFORMANCE AND WILL SERVICE NEW GUNS purchased at regular prices FREE OF CHARGE under WARRANTY if RETURNED TO FACTORY PREPAID within a reasonable time, providing Registration Card has been sent to Factory promptly and Gun has not been damaged or abused and does not show excessive wear. Defective parts returned to Factory within 90 days will be replaced gratis.~~

YOU CAN MAKE YOUR OWN REPAIRS. Order Lock Ring Extractor and Parts from FACTORY if not available from Dealer. Itemize Parts by number in accordance with Price List. Advise Model and enclose payment (including packing and postage) with Orders. WE DO NOT SHIP C.O.D.

IF YOU ARE UNABLE TO OBTAIN SATISFACTORY RESULTS ASK ANY LICENSED DEALER in your community to ship Gas Pistol to Factory by Parcel Post for Adjustment or Repairs when necessary. DEALER MUST ALSO WRITE US at the same time shipment is forwarded and relate any circumstances that will enable us to determine what is wrong.

GAS PISTOLS ARE NOT ADMITTED IN U.S. MAIL between Individuals and Factory under Postal Regulations; we cannot change this situation. GAS PISTOLS CAN BE SHIPPED BY PARCEL POST TO OR FROM LICENSED FIRE ARMS DEALER.

IF ADJUSTMENT IS EXPECTED UNDER WARRANTY we must have complete information including date when purchased and price paid. Unless instructions are in our hands when gun reaches us we cannot proceed with repairs in the regular way, which entails additional time and expense.

IF YOU PREFER TO SHIP GUN DIRECT TO FACTORY FOR ADJUSTMENT OR REPAIRS IT MUST BE FORWARDED BY EXPRESS PREPAID AND we will return it to you Express Collect F.O.B. Factory. Send full instructions by first class mail.

LOCK RING EXTRACTOR for No. 262-267 CO<sub>2</sub> ROCKET GAS PISTOLS \$1.00; Outlet Valve 75c; "O" Ring for Gas Chamber 25c; Packing and Postage 50c Total \$2.50. Order other parts by number as needed.

GAS GUNS DEPEND ON (2) FLEXIBLE SEALS for holding CO<sub>2</sub> Pressure in Gas Chamber. Muzzle End is sealed with "O" Ring; Outlet Valve seals Breech End. When Gun is fired Outlet Valve opens momentarily and releases some of the Gas for shooting power.

TO REMOVE OUTLET VALVE remove Muzzle Plug; insert Lock Ring Extractor into Gas Chamber and engage points of Extractor in eyelet ends of No. 2686 Lock Ring. Squeeze Extractor together and pull Lock Ring out of Gas Chamber while it is compressed on ends of Extractor. No. 2618 Striker Guide Washer, No. 2646 Striker Spring, No. 2635 Striker and No. 2634 Valve will then fall out. To reassemble replace parts in reverse order; insert Valve Stem through hole in No. 2637 Valve Seat; Striker fits on end of Valve; Striker Spring goes on Striker Stem; Striker Guide Washer goes on Stem of Striker next to Striker Spring. Engage eyelet ends of Lock Ring on Extractor; squeeze Extractor and insert Lock Ring in Gas Chamber, until you pass the threaded section of Gas Chamber, then release Lock Ring and remove Extractor; push Lock Ring forward with a round wood plug that fits inside of Gas Chamber until Lock Ring snaps into position.

BE SURE THAT GAS CHAMBER IS EMPTY before removing Valve. DO NOT OIL VALVE OR ALLOW OIL TO Accumulate in GAS CHAMBER. We regularly use oil proof valve packing; however, we reserve the right to substitute other suitable materials when oil proof packing is not available.

OIL BOTH BARRELS EXTERNALLY, ALSO MOVING PARTS to resist wear and rust. WIPE INSIDE OF CARTRIDGE CHAMBER, also Lock Ring and CO<sub>2</sub> Cartridge with an oily rag to resist rust due to condensation. It is not necessary to clean or oil inside of bronze Shot Barrel; it will not lead or rust.

WE WILL MAKE NECESSARY REPAIRS if desired at current rates. WE WILL QUOTE NET COST OF REPAIRS needed upon receipt of shipment when requested; otherwise you will be notified amount due when repairs are made. WE DO NOT SHIP C.O.D.

WE DO NOT MAKE PARTIAL REPAIRS or assume responsibility for satisfactory performance unless we make complete repairs.

WE DO NOT REFINISH or reblue worn Guns or Stocks. We do not guarantee finish against wearing off, as this is often due to atmospheric conditions

WE DO NOT REFINISH or reblue worn Guns. We do not guarantee finish against wearing off, as this is often due to atmospheric conditions or acidity. You can obtain black lacquer or air drying enamel from local paint store for refinishing Gun Barrel.

DO NOT WRITE US about repair jobs or orders sent in by Dealers as it would be difficult for us to identify them. Ask the Dealer to write to us and we will give him complete information upon receipt of order number or other references which will enable us to investigate it.

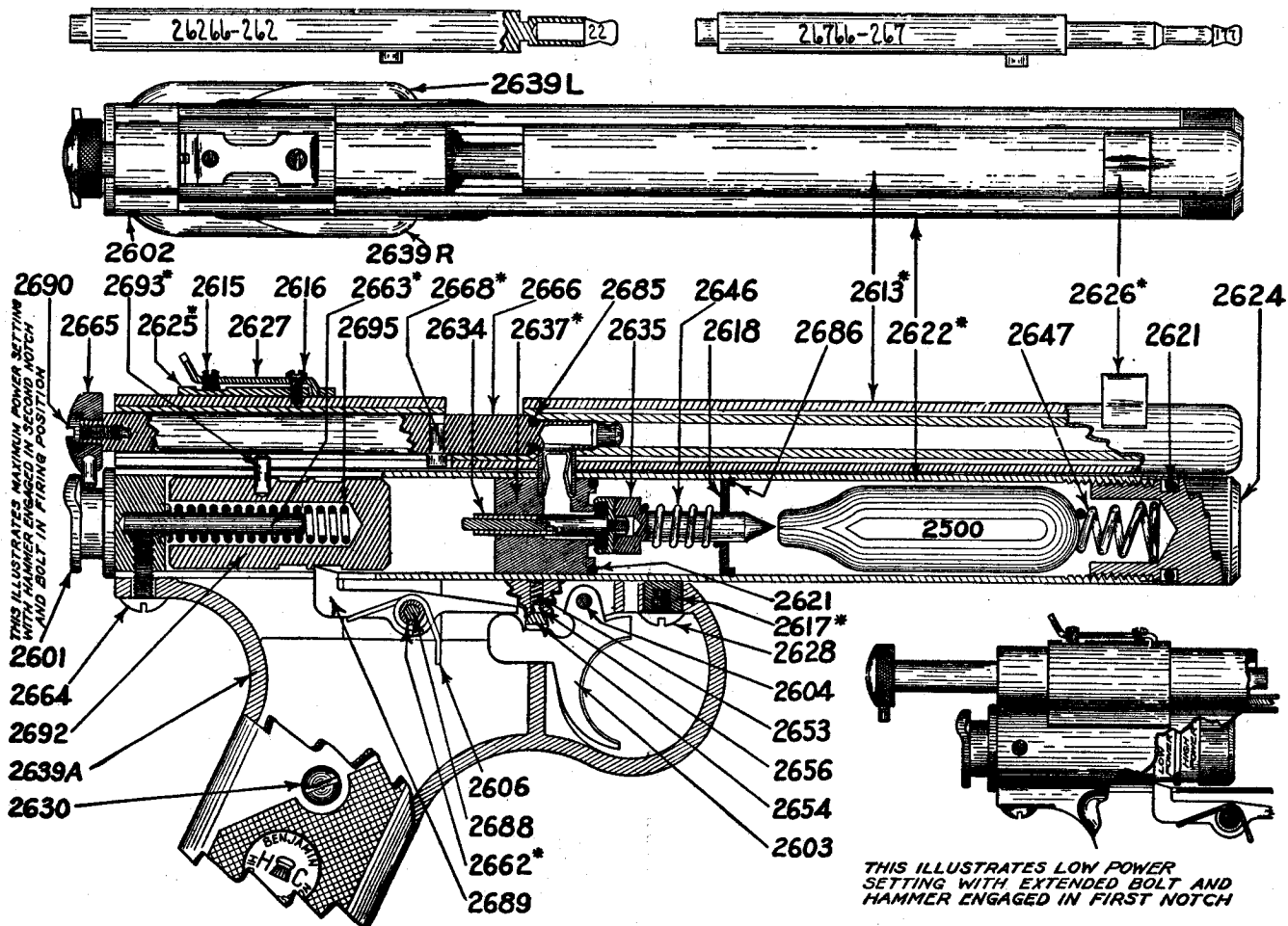
SHOOTING HIGH OR LOW IS NOT A DEFECT and can be easily corrected by drawing a fine or coarse bead on front sight when aiming. If gun shoots too low you can file top of front sight off which will raise Muzzle End of gun barrel.

OPEN REAR SIGHT IS ADJUSTABLE FOR ELEVATION AND WINDAGE and can be moved either right or left or up or down. If gun shoots to the right move the rear sight left to correct it. If gun shoots high, lower the rear sight to correct it. Before making any sight correction you should have a shot group of 5 or more shots very close together to make sure that you are aiming and squeezing the trigger properly. If gun shoots much too low you can file top of front sight off which will raise Muzzle End of gun barrel when aiming. You cannot check these guns for accuracy in a vise as it would be almost impossible for anyone to replace the gun in exactly the same position after it has been taken out of the vise for loading. The practical way to test these guns for accuracy is to hold them in a V rest permanently located on a post or other support and bring shot barrel into the same position for each shot by holding it against a stop. WE DO NOT MAKE OR HANDLE Adjustable Rear Peep Sights for these Models.

IF SHIPMENT IS RECEIVED IN BAD ORDER FROM US or you discover that the contents are damaged be sure to notify the Postmaster or Express Agent in your city immediately, also write us promptly and return the damaged goods to us PREPAID, and we will file claim for damages.

IF YOU INQUIRE ABOUT ORDERS for Tools and Parts or Supplies, give us the date on which order was sent and advise amount paid, also how payment was made — either by Money Order, Bank Draft, Personal Check, Currency, Coin or Postage. If payment was made by Money Order or Check ask your Postmaster or Bank in your city to investigate whether or not we cashed it; also send us copy of original order or make up another list and enclose all previous correspondence in connection with it.

SEND MONEY ORDER OR BANK DRAFT with orders for Supplies and Parts if prompt shipment is wanted. Allow time for personal checks to clear, MINIMUM TRANSACTION 75c. INCLUDE 50c for PACKING AND POSTAGE with orders for Parts and Supplies 25c to \$5.00; over this amount add 10% for shipping charges in U.S.A., extra for AIR MAIL shipments. INCLUDE 2% SALES TAX with orders originating in MISSOURI. WE DO NOT SHIP C.O.D. Overpayment will be applied to additional merchandise or refunded in U.S. Postage.



**No. 262-267 — DESCRIPTION OF PARTS AND PRICE LIST**

Parts marked \* are not subject to replacement — do not order

2500 Benjamin Super CO <sub>2</sub> Cartridges (box of 10).....	\$1.00	2625 Steel Strap.....	*	2662 Relay Bearing.....	*
2601 Breach Cap.....	.50	2626 Front Sight.....	*	2663 Hammer Spring Guide.....	*
2602 Breach Cap Screws.....	ea. .05	2627 Rear Sight (Adjustable).....	1.00	2664 Rear Assembly Screw.....	.10
2603 Trigger.....	.90	2628 Front Assembly Screw.....	.10	2665 Bolt Button, Includes Lock Pin.....	.35
2604 Trigger Pin.....	.10	2630 Stock Screws.....	ea. .05	26266 Bolt for No. 262.....	1.50
2606 Trigger Spring.....	.25	2634 Outlet Valve.....	.75	26766 Bolt for No. 267.....	1.50
2613 Shot Barrel.....	*	2635 Striker.....	.75	2686 Striker Guide Washer Lock Ring.....	.25
2615 Rear Sight Adjustment Screw for Elevation.....	.10	2637 Outlet Valve Seat.....	*	2668 Bolt Guide Pin.....	*
2616 Rear Sight Adjustment Screw for Windage.....	.10	2639A Stock Frame.....	2.50	2685 Bolt "O" Ring for No. 26266.....	.25
2617 Stock Frame Stud.....	*	2639L Left Hand Stock, Plastic.....	.75	2686 Striker Guide Washer Lock Ring.....	.25
2618 Striker Guide Washer.....	.15	2639R Right Hand Stock, Plastic.....	.75	2688 Trigger Relay Pin.....	.10
2621 Muzzle "O" Seal Ring.....	.25	2646 Valve Spring.....	.50	2689 Trigger Relay has (sear) Includes 2662.....	.90
2622 Barrel.....	*	2647 Cartridge Spring.....	.15	2690 Bolt Button Screw.....	.10
2624 Muzzle Plug.....	.75	2653 Safety Spring.....	.10	2692 Hammer, Includes Hammer Pin.....	1.00
		2654 Safety Button.....	.35	2693 Hammer Pin.....	*
		2656 Ball Bearing.....	.10	2695 Hammer Spring.....	.25

**SUPPLIES, TOOLS AND PARTS**



No. 2500 BENJAMIN SUPER CO <sub>2</sub> CARTRIDGES (box of 10).....	\$1.00
BENJAMIN H-C PELLETS CAL. .177 per 250.....	\$ .95
BENJAMIN H-C PELLETS CAL. .177 per 500.....	1.75
BENJAMIN H-C PELLETS CAL. .22 per 250.....	1.15
BENJAMIN H-C PELLETS CAL. .22 per 500.....	2.15
BENJAMIN STEEL DARTS CAL. .177 per dozen.....	.50
BENJAMIN STEEL DARTS CAL. .22 per dozen.....	.60
BENJAMIN bulls-eye BELL TARGET.....	2.00
BENJAMIN PAPER TARGET INSERTS 25 ft. Pistol; 100, 50c — 500, \$2.40 — 1000.....	4.50
BENJAMIN LEATHER HOLSTERS with snap buttons on Belt Loop with Safety Strap, R. or L; advise model when ordering to obtain correct size.....	3.75
LOCK RING EXTRACTOR.....	1.00

Lock Ring Extractor.....	\$1.00
Outlet Valve.....	.75
"O" Ring for Gas Chamber.....	.25
Packing and Postage.....	.50
	\$2.50

ORDER PARTS BY NUMBER AS NEEDED. Advise Model and enclose payment with Orders. SEND MONEY ORDER OR BANK DRAFT with orders for Supplies and Parts if prompt shipment is wanted. Allow time for personal checks to clear, MINIMUM TRANSACTION 75c. INCLUDE 50c for PACKING AND POSTAGE with orders for Part and Supplies 25c to \$5.00; over this amount add 10% for shipping charges in U.S.A.; extra for AIR MAIL shipments. INCLUDE 2% SALES TAX with orders originating in MISSOURI. WE DO NOT SHIP C.O.D. Over payment will be applied to additional merchandise or refunded in U. S. Postage.

**BENJAMIN AIR RIFLE CO.**

Printed in U.S.A. 11-55-25M

1525 So. 8th St.

St. Louis 4, Mo.