

Benjamin

New Single-Shot Precision-Rifled Pistols

Model 232 for .22 caliber (5.5mm) pellets & darts

Model 237 for .177 caliber (4.5mm) pellets & darts

Here are air pistols renowned for their accuracy, lightweight balance, recoilless firing and adjustable velocities, dependent on the number of pump strokes—now made even better in two new models for .177 and .22 calibers.

Improvements include a higher-ramp front sight, greater velocities, improved breech seating and tougher interior parts.

Specifications	Model 232	Model 237
Caliber:	.22 (5.5mm)	.177 (4.5mm)
Length—Overall:	11¾" (289.5mm)	
—Barrel:	8½" (216mm)	
Weight:	2 pounds (.9 kg)	
Rifling:	Right hand, 6 grooves 1 turn in 14"	
Velocity, Approx. Max.	315 fps (96 mps)	418 fps (127 mps)
Front Sight:	High-ramp blade	
Rear Sight:	V-type, adjustable for elevation & windage	
Grips:	Standard: Checkered Plastic Optional: American Walnut	



Smooth-Bore Pistol for BB's — Plus .177 pellets & darts!

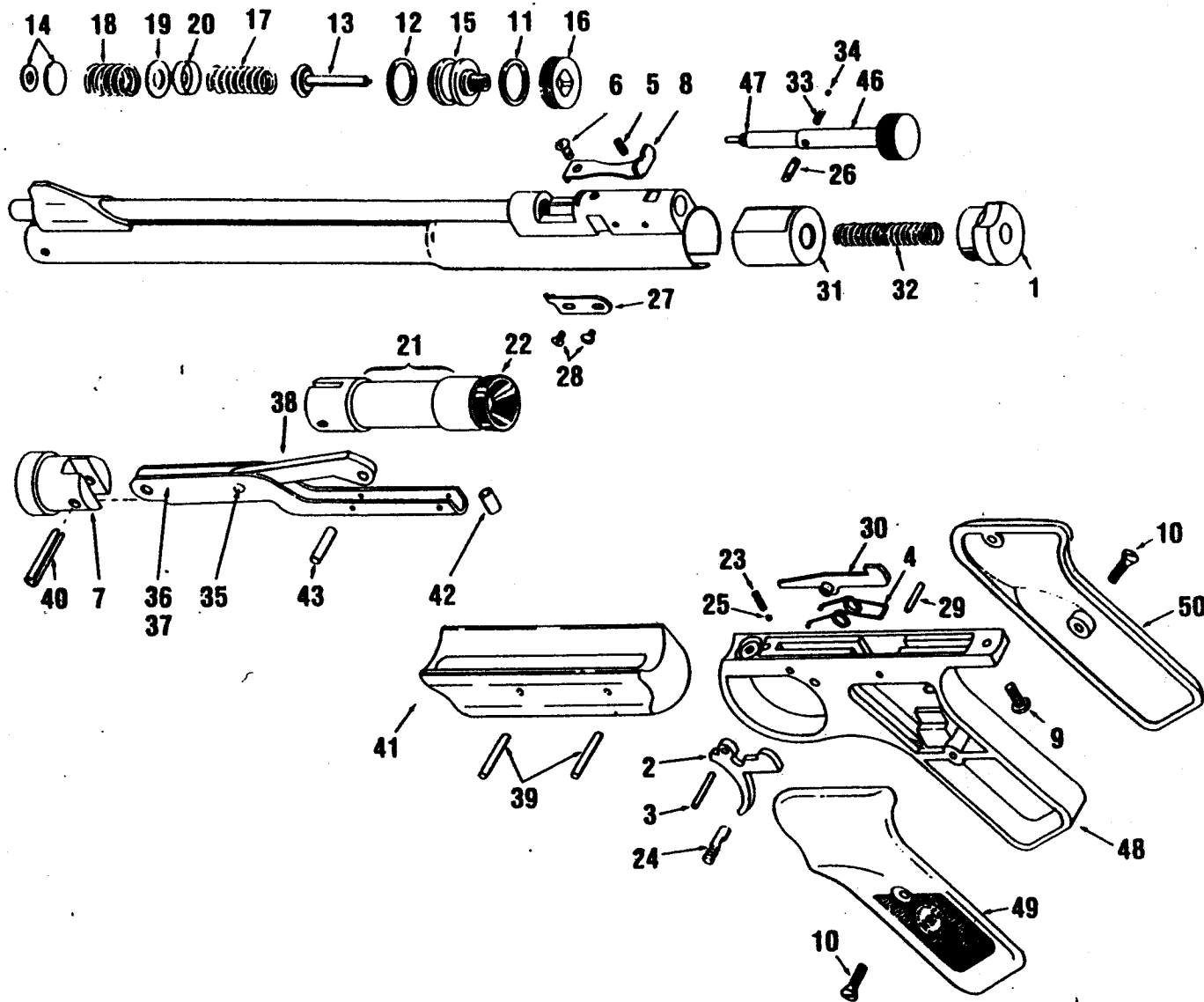
It's a classic. First introduced in 1942, millions have been sold and the great majority still are in use, passing from father to son, to grandson. There have been continual minor improvements over the years, of course, so the Model 130 you buy today has all the traditional Benjamin quality—brass and stainless steel components, superb accuracy and virtually endless life with minimum maintenance.

Specifications	Model 130
Caliber:	BB [and .177 caliber (4.5mm)]
Length—Overall:	11" (279 mm)
—Barrel:	8" (203 mm)
Weight:	2 pounds (.9 kg)
Velocity, Approx. Max.:	440 fps (134 mps)
Front Sight:	Blade
Rear Sight:	V-type, adjustable for elevation & windage
Grips:	Standard: Checkered Plastic Optional: American Walnut



Benjamin

MODEL 232/237 PISTOL



Benjamin AIR RIFLE CO.

3205 Sheridan Road, Racine, WI 53403 • 414/633-5424

Benjamin

MODEL 232/237 PISTOL PARTS LIST

REF. NO.	PART NO.	PART NAME	PRICE	REF. NO.	PART NO.	PART NAME	PRICE
1	23-1	Breech Cap.....	\$3.50	30	23-89	Trigger Relay (Sear)..... (Incl. Relay Bearing)	3.00
2	23-3	Triggrer.....	3.50	31	23-92	Hammer (Incl. Pin).....	3.55
3	23-4	Trigger Pin.....	.20	32	23-95	Hammer Spring.....	1.05
4	23-6	Trigger Spring.....	.55	33	23-96	Bolt Friction Spring.....	.25
5	23-15	Rear Sight Adjusting Screw.....	.35	34	23-97	Ball Bearing.....	.20
6	23-16	Rear Sight Fastening Screw.....	.35	35	23-014A	Link Hinge Pin.....	\$.40
7	23-24	Muzzle Plug.....	2.45	36	23-102	Pump Lever.....	4.50
8	23-27	Rear Sight.....	1.30	37	23-102A	Pump Lever Assy. (Incl..... 23-102, 23-103, 23-014A)	7.30
9	23-28	Assembly Screw (2).....	.70	38	23-103	Pump Link.....	2.10
10	23-30	Stock Screws (2).....	.20	39	23-110	Handle Pins (2).....	.35
11	23-31	Outlet Port Packing Ring (Lead).....	.55	40	23-111	Lever Hinge Pin.....	.35
12	23-32	Outlet Port Packing Ring (Synthetic).....	.35	41	23-117	Pump Lever Handle.....	3.75
13	23-34	Outlet Valve.....	2.75	42	23-118	Rubber Damper.....	.35
14	23-35	Inlet Valve.....	2.10	43	23-125	Link Coupling Pin.....	.35
15	23-37	Outlet Valve Seat.....	3.00	44*	232-66	Bolt for Model 232 (.22 Cal.).....	4.40
16	23-40	Outlet Valve Locking Screw.....	1.65	45**	232-005	Breech Seal for Model 232 (O-ring).....	.35
17	23-45	Outlet Valve Spring.....	1.35	46	237-66	Bolt for Model 237 (.177 Cal.).....	4.40
18	23-46	Inlet Valve Spring.....	.70	47	237-003	Breech Seal for Model 237..... (O-ring)	.35
19	23-47	Valve Spring Washer.....	.35	48	23039A	Stock Frame.....	6.50
20	23-48	Retainer.....	.60	49	23039L	Plastic Hand Stock Grip (Left).....	1.30
21	23-50B	Piston Rod.....	3.50	50	23039R	Plastic Hand Stock Grip (Right).....	1.30
22	23-52	Piston Head.....	1.80	*Ref #44 (232-66) Not Shown Bolt for Model 232 (.22 Cal.)			
23	23-53	Safety Spring.....	.25	**Ref #45 (232-005) Breech Seal for (Not Shown) Model 232 (O-Ring)			
24	23-54	Safety Button.....	1.00				
25	23-56	Ball Bearing.....	.20				
26	23-68	Bolt Guide Screw.....	.70				
27	23-69	Bolt Lock Cam.....	.55				
28	23-85	Bolt Lock Cam Screw (2).....	.25				
29	23-88	Trigger Relay Pin.....	.35				

It is necessary to use the valve tool for removing the old valve and installing the replacement.

We recommend the following parts for valve overhaul:

One Valve Tool - Combination Valve Tool for removing Outlet Valve Lock Screw and
Extracting Outlet Valve Seat.....\$4.00

- One - No. 23-34 Outlet Valve
- One - No. 23-31 Outlet Port Packing Ring (Lead)
- One - No. 23-32 Outlet Port Packing Ring (Synthetic)
- One - No. 23-52 Piston Head
- One - No. 23-35 Inlet Valve

When ordering parts, specify Model, Serial number, Part number and Name of part. All parts and prices subject to change without notice.

Minimum order \$7.00 may include ammo & accessories shipped prepaid.