



## Model 1389 Backpacker™ OWNER'S MANUAL

**READ ALL INSTRUCTIONS AND WARNINGS IN  
THIS MANUAL BEFORE USING THIS AIRGUN.**

### **CONGRATULATIONS**

And thank you for choosing Crosman Airguns Model 1389 Backpacker™ .177 caliber pellet air pistol.

The model 1389 includes many up-to-date features which will mean easier handling, greater accuracy and more enjoyment for you.

- Detachable stock for easier carrying
- New forearm for easier pumping.
- Convenience of pump-up (pneumatic) power

To get the most enjoyment from your new airgun, please read this owner's manual completely. And remember, this pistol is not a toy. Treat it with the same respect you would a firearm. Always carefully follow the safety instructions found in this owner's manual and keep this manual in a safe place for future use.

Thank you for choosing a Crosman airgun.

**⚠ WARNING:** NOT A TOY. ADULT SUPERVISION REQUIRED. MISUSE OR CARELESS USE MAY CAUSE SERIOUS INJURY OR DEATH. MAY BE DANGEROUS UP TO 400 YARDS (366 METERS).

READ ALL INSTRUCTIONS BEFORE USING.

BUYER AND USER HAVE THE DUTY TO OBEY ALL LAWS ABOUT THE USE AND OWNERSHIP OF THIS AIRGUN.

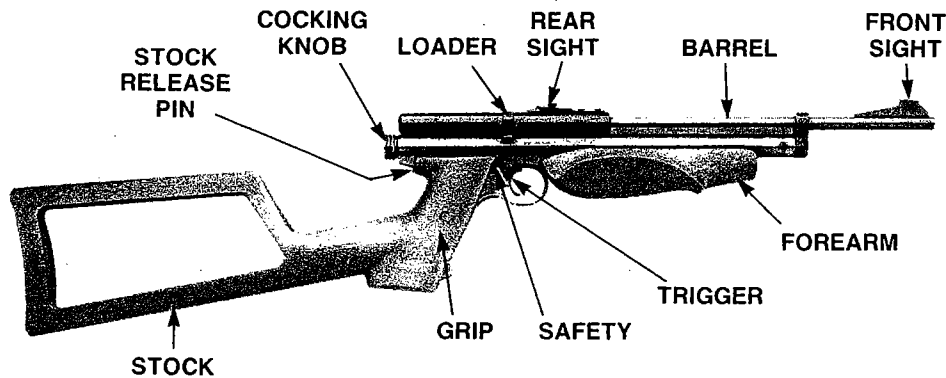
**THIS AIRGUN IS INTENDED FOR USE BY THOSE 16 YEARS OF AGE OR OLDER.**

## STEPS FOR SAFE SHOOTING

Step 1. Learning the Parts of Your New Pistol.....	4
Step 2. Operating the Safety.....	5
Step 3. Pumping the Pistol.....	6
Step 4. Loading and Unloading the Pistol.....	7-8
Step 5. Cocking the Pistol.....	8
Step 6. Aiming and Firing Safely.....	9-10
Step 7. Removing a Jammed Pellet.....	11
Step 8. Maintaining your Pistol.....	12-13-14
Step 9. Reviewing Safety.....	15
Step 10. Using and Enjoying Your Pistol.....	16-17
Step 11. Specifications.....	18
Step 12. Special Features.....	19-20

### Step 1. Learning the Parts of Your New Pistol.

Learning the names of the parts of your new pistol will help you to understand your owner's manual. Use this manual to increase your airgun enjoyment.

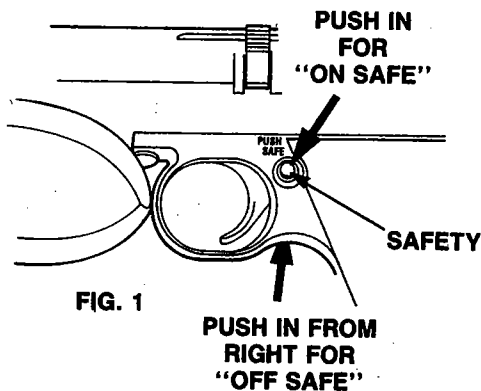


4

3

### Step 2. Operating the Safety

- A. To put the pistol "On Safe", locate the safety directly behind the trigger. Push the safety from the left side all the way in. (Fig. 1). The safety is not on unless it is pushed all the way in and the red ring around the safety is not showing. The pistol will not fire when "On Safe".
- B. Even when the safety is "On Safe" you should continue to handle the pistol safely. Don't point the gun at anything you don't intend to shoot.
- C. To take the pistol "Off Safe", push the safety from the right side all the way in. When you see the red ring around the safety, the pistol is "Off Safe" and will fire.

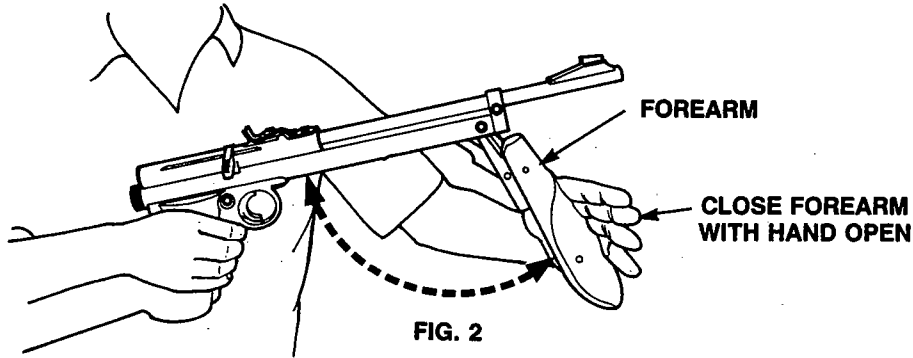


**⚠ WARNING: KEEP THE PISTOL "ON SAFE" UNTIL YOU ARE ACTUALLY READY TO SHOOT. THEN PUSH IT TO "OFF SAFE".**

### Step 3. Pumping the Pistol

- A. Put the pistol "On Safe". (See Step 2).
- B. Open the forearm all the way until it stops. (Fig. 2). Close it with a smooth stroke. Don't pinch hand or fingers when the forearm closes. Keep your fingers off the trigger while pumping.
- C. Be sure to use at least 2 pumps to keep the barrel from jamming with a Pellet.
- D. Do not twist the forearm while pumping. Use straight strokes to prevent breakage.

**⚠ WARNING: NEVER PUMP YOUR GUN MORE THAN 10 TIMES. OVER-PUMPING GIVES ONLY A SLIGHT INCREASE IN POWER AND WILL CAUSE MAJOR DAMAGE TO YOUR GUN. PUMPING MORE THAN 10 TIMES MAY ALSO LEAVE A SMALL AMOUNT OF AIR IN THE GUN WHICH MAY ALLOW YOU TO FIRE A SECOND SHOT WITHOUT ADDITIONAL PUMPING.**



6

### Step 4. Loading and Unloading the Pistol

#### A. Loading the Pistol

- Put the pistol "On Safe". (See Step 2).
- Push pellet loader open as shown in Fig. 3.
- Place pellet, nose first, into the pellet loader. (Fig. 4). To avoid jams, make sure pellet skirt is flush with the back of the loader.
- Close the pellet loader. Make sure you have pushed it all the way over so the pellet is properly aligned with the barrel. The loader is closed properly when the arrow on the loader is lined up with the line on the breech. (Fig. 5).

**⚠ CAUTION: USE .177 CALIBER PELLETS ONLY, NEVER REUSE PELLETS. USE OF ANY OTHER PELLET OTHER THAN .177 CALIBER CAN CAUSE INJURY TO YOU OR DAMAGE TO THE PISTOL.**

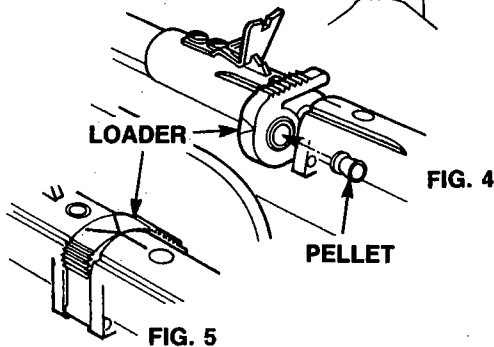
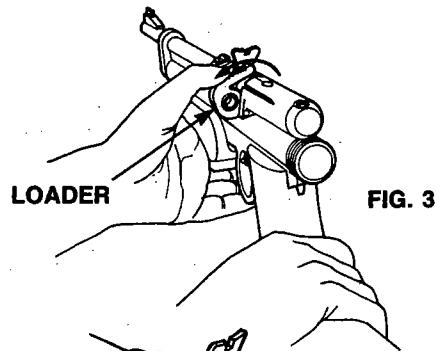
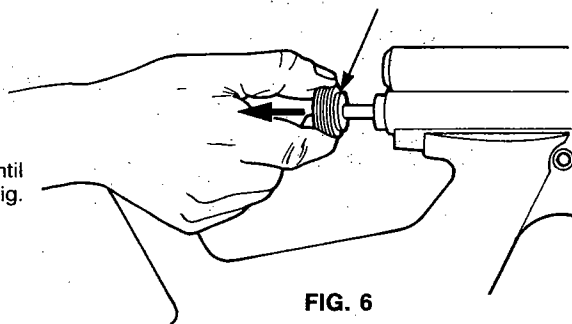


FIG. 5

**B. Unloading the Pistol**

- Put the pistol "On Safe". (See Step 2).
- Pump the pistol, at least twice, cock the pistol, point it in a SAFE DIRECTION, take it "Off Safe" and fire.
- Another way of unloading your pistol is to follow the directions listed under Step 7 – Removing a Jammed Pellet.

**COCKING KNOB**



**Step 5. Cocking the Pistol.**

- A. Put the pistol "On Safe". (See Step 2)
- B. Pull the cocking knob all the way back until you hear two clicks and then release it. (Fig. 6)

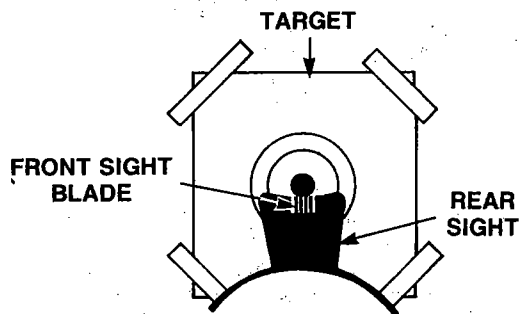
**Step 6. Aiming and Firing Safely**

**A. Aiming the Pistol**

Always aim your pistol in a SAFE DIRECTION. When you are sure of your target and backstop, and the area around the target is clear, take the pistol "Off Safe" (see Step 2) and squeeze the trigger to fire.

Don't shoot at hard surfaces or at the surface of water. The pellet may bounce off and hit someone or something you had not intended to hit.

The pistol is correctly aimed when the front sight blade is positioned exactly in the notch of the rear sight. The top of the front sight blade should be even with the top of the notch in the rear sight. The bullseye should appear to rest on the top of the front sight. (Fig. 7)



**FIG. 7**

### B. Sight Adjustment

The rear sight may be adjusted to shoot higher or lower (elevation). Move the rear sight elevator back to make the pellet hit higher on the target. Move the rear sight elevator forward to make the pellet hit lower on the target. When moving the elevator, slightly lift the rear sight and reset it on the desired notch in the elevator. (Fig. 8)

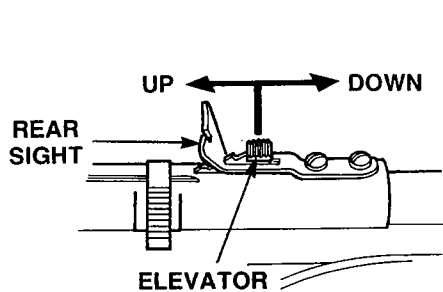


FIG. 8

The rear sight may also be adjusted to shoot right or left (windage). Loosen the windage adjustment screws by turning them counterclockwise. Move the sight to the right to make the pellet hit to the right on the target. Move the sight to the left to make the pellet hit to the left on the target. Then tighten the windage adjustment screws by turning them clockwise. (Fig. 9)

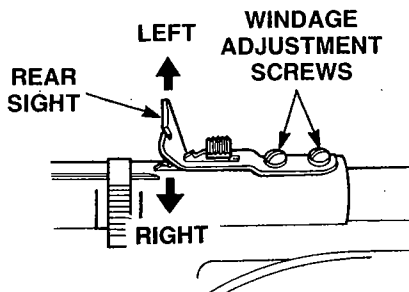


FIG. 9

10

9

### Step 7. Removing a Jammed Pellet

- A. Don't reload.
- B. Put the pistol "On Safe". (See Step 2)
- C. With the pistol "On Safe", pump 10 times, cock the cocking knob, aim in a SAFE DIRECTION, take "Off Safe", and fire.
- D. Put the pistol "On Safe", open the pellet loader, turn the pistol upside down, insert a rod or straightened clothes hanger into the barrel, push the jammed pellet into the breech and remove it from the breech. (Fig. 10)
- E. Look in the pellet loader. If there is a pellet or any part of a pellet in the loader, gently push it out with a blunt device such as a ballpoint pen.
- F. If for some reason you are unable to unjam your pistol, a Crosman Authorized Service Center will unjam it for you free of charge during your warranty period.

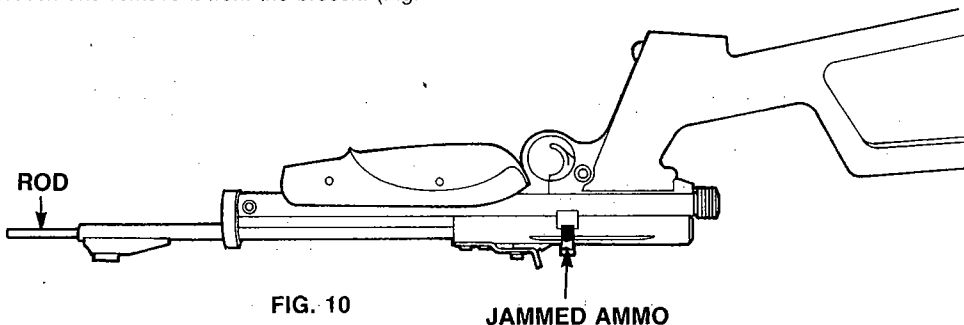


FIG. 10

JAMMED AMMO

Step 8. Maintaining Your Pistol

Trouble Shooting Guide

PROBLEMS	REASONS											
	Safety in on position	Gun Not Cocked	Gun Not Pumped	Gun Not Pumped to Recommended number of pumps	Barrel Plugged (Jammed)	Lack of Lubrication	Re-Used Ammunition	Pellets Loaded Backwards	Use of Wrong Type or Cal. Ammo	Loading More Than One Projectile	Sights Not Adjusted	Ammunition Not in Fire Position
INACCURACY				●			●	●	●	●	●	
GUN FAILS TO SHOOT	●	●	●	●	●	●	●	●	●	●		●
LOW POWER				●		●	●	●	●	●		
BARREL PLUGGED (Jammed)				●			●	●	●	●		

12

Your pistol will work best if you oil it every 250 shots. Put 2 or 3 drops of Crosman Pellgunoil® on the pump pivot pins, the trigger, the cocking mechanism and the pump cup in the pump mechanism. A little oil on the barrel helps prevent rust. Pellgunoil is best, but any light household oil is better than none. Don't over-oil. This can cause damage to your pistol. (Fig. 11)

Tampering with the gun or attempts to change the gun in any way make it unsafe to use. If you drop your gun, check to see that it works properly before you use it again. If anything seems changed, like a shorter or weaker trigger pull, this may mean worn out or broken parts. Don't use it again until you've had it checked by an Authorized Service Station (A list of Service Stations is in the box with the Pistol.)

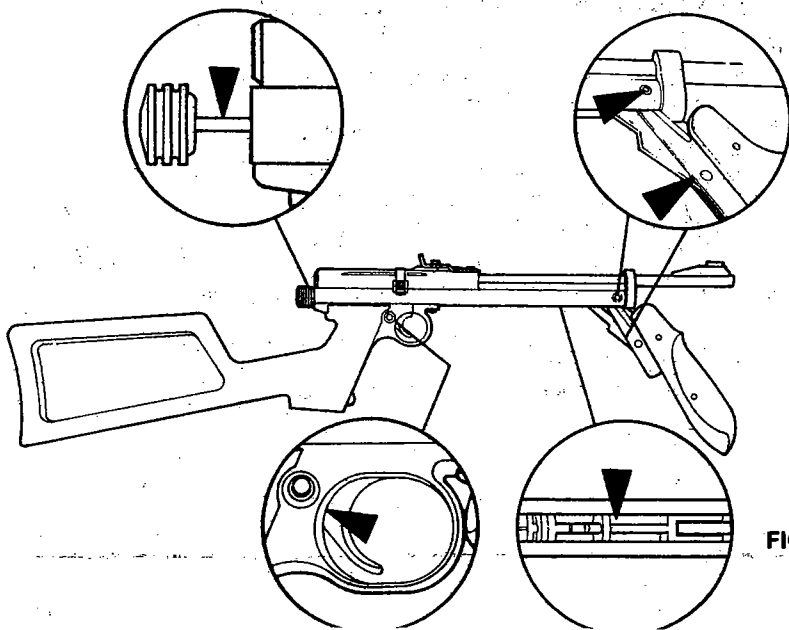


FIG. 11

### Step 9. Reviewing Safety

- ALWAYS HANDLE YOUR PISTOL AS THOUGH IT WERE LOADED.
- Don't point at anything you don't intend to shoot. Always aim in a SAFE DIRECTION.
- Always wear shooting glasses to protect your eyes.
- Don't pinch hands or fingers when closing forearm.
- Use .177 caliber pellets only in your Model 1389 Backpacker™.
- Never reuse ammunition.
- Don't shoot at hard surfaces or at the surface of water. The pellet may bounce off and hit someone or something you had not intended to hit.
- Always keep gun "On Safe" until you are ready to shoot.
- Stop using a backstop if it becomes worn. Place backstop in a location that will be safe should the backstop fail.
- Do not attempt to disassemble or tamper with your gun. Use a competent repairman.
- Always check to see if the pistol is "On Safe" and unloaded when getting it from another person or from storage.
- Don't put the pistol away loaded. Make sure the pellet is unloaded. (See Step 4B).



## Step 10. Using and Enjoying Your Pistol

Now that you have studied your owner's manual and understand how to use your pistol properly, you are ready to begin your shooting enjoyment. Follow these shooting tips for fun and safe shooting.

### Choosing Targets

Always choose your targets carefully. It is best to shoot at paper bullseye targets which are attached to a safe backstop such as the Crosman Target Trap. A heavy blanket should be hung behind the target trap to prevent ricochet or pellets bouncing off should you miss the backstop. It is also best to wear shooting glasses to protect your eyes.

Don't shoot at hard surfaces or at the surface of water. The pellet may bounce off and hit someone or something you had not intended to hit.

Your backstop should be checked for wear before and after each use. Stop using any backstop if the surface is worn or damaged or if the pellet bounces off or ricochets.

Your airgun is designed for target shooting and is suited for both indoor and outdoor use. Always remember to place your target carefully. THINK what you will hit if you miss the target!

### Shooting

We talked earlier about aiming your pistol and sight adjustment (Step 6).

The next step is putting the sights together with the target. This is known as sight picture.

16

15

A correct sight picture has the bullseye directly centered on top of the front sight with both sights correctly aligned. (Fig. 12).

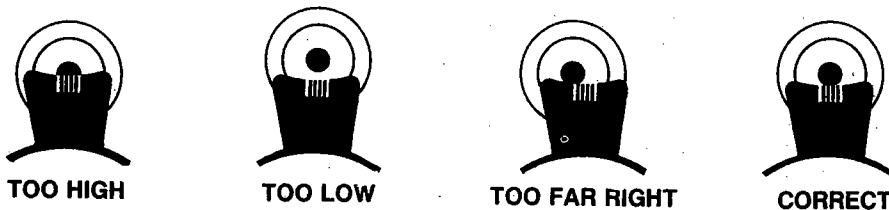


FIG. 12

Now with the sights and target in the proper position, you are ready to squeeze the trigger. The trigger must be squeezed smoothly to keep the sights aligned and on the target as the gun fires.

### Shooting Games

Competing with friends and holding informal shooting matches can make airgun ownership more fun and exciting. Crosman silhouette targets and Crosman Shooting Games will help make your neighborhood matches the most popular around.

**REMEMBER...** shooters are made, not born. Know the basics of safe shooting.

17

## Step 11. SPECIFICATIONS:

Mechanism: Single Shot Pneumatic  
Caliber: .177 cal. (4.5 mm) Lead Airgun Pellet  
Capacity: Single Shot  
Weight: 3 lb. 3 oz. (1.45 kg)  
Overall Length: 31 in. (77.5 cm)  
Sights: Rear Fully adjustable for elevation and windage  
Front Fixed Blade  
Barrel: Steel Rifled  
Power Source: Pneumatic Pump Action

## REPAIR SERVICE

If your gun needs repair, we recommend you take or send it to your nearest Crosman Authorized Service Center, (list of service centers in box with gun). Your gun requires special tools and fixtures to repair it. If you take it apart, you probably will not be able to reassemble it correctly. Crosman assumes no warranty responsibility in this case.

## A SPECIAL CUSTOMER SERVICE

Crosman Authorized Service Stations will unjam your pistol at no cost during the warranty period.

**PERFORMANCE** depends on the brand of ammunition and how well you maintain your airgun.

### Model 1389

Pumps	Muzzle Velocity	Projectile	Weight
3	340-390 fps	.177 Pellet	7.9 gr.
6	440-490 fps	.177 Pellet	7.9 gr.
10	510-560 fps	.177 Pellet	7.9 gr.

18

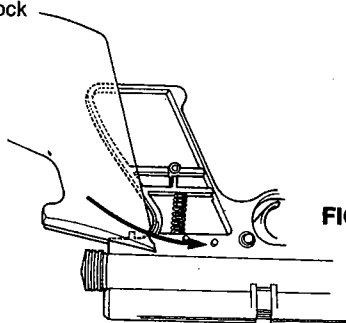
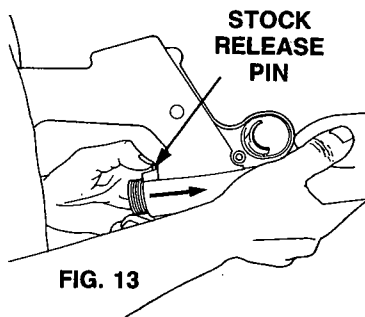
## Step 12. Special Features

Your 1389 Backpacker™ has a detachable stock. To remove the stock:

- Put the pistol "On Safe". (See Step 2).
- Place the stock under your arm (make sure the gun is pointed in a SAFE DIRECTION).
- Push the stock release pin all the way down and pull forward on the pistol. (Fig. 13).

To place the stock back on the pistol:

- Line the stock up with the pistol as shown in (Fig. 14).
- Push the stock onto the pistol until the stock release pin snaps into place.



## Accessory Grips

Convert your Model 1389 Backpacker™ into a sporting pistol with a set of pistol grips designed for easy conversion. Simply detach your stock and with the help of a common screwdriver and a few seconds time, your carbine is now a pistol.

Send \$3.95 (check or money order) to Crosman Airguns, P.O. Box 308, East Bloomfield, NY 14443. Be sure to specify that you are ordering a set of 1389 pistol grips.

20

## LIMITED ONE YEAR WARRANTY

This product is warranted to the retail consumer for one year from date of retail purchase against defects in material and workmanship and is transferable. To register the serial number of your gun, please return the Airgun registration form. The warranty is not conditioned on the return of the card.

### WHAT IS COVERED

Replacement parts and labor. Transportation charges to consumer for repaired product.

### WHAT IS NOT COVERED

Transportation charges to Crosman for defective product. Damages caused by abuse or failure to perform normal maintenance — see Owner's Manual. Sales outside of the United States. Any other expense: CONSEQUENTIAL DAMAGES, INCIDENTAL DAMAGES, OR INCIDENTAL EXPENSES, INCLUDING DAMAGE TO PROPERTY. SOME STATES DO NOT ALLOW THE EXCLUSION OR LIMITATION OF INCIDENTAL OR CONSEQUENTIAL DAMAGES, SO THE ABOVE LIMITATION OR EXCLUSION MAY NOT APPLY TO YOU.

### HOW TO OBTAIN WARRANTY PERFORMANCE

Locate nearest Crosman Service Center on list with Product or in phone book. Attach to Product your name, address, description of problem, phone number and proof of date of retail purchase (sales slip). Package and return Product to Crosman Service Center, transportation charges prepaid.

### IMPLIED WARRANTIES

ANY IMPLIED WARRANTIES, INCLUDING THE IMPLIED WARRANTIES OF MERCHANTABILITY AND FITNESS FOR A PARTICULAR PURPOSE, ARE LIMITED IN DURATION TO ONE YEAR FROM DATE OF RETAIL PURCHASE. SOME STATES DO NOT ALLOW LIMITATIONS ON HOW LONG AN IMPLIED WARRANTY LASTS, SO THE ABOVE LIMITATIONS MAY NOT APPLY TO YOU.

To the extent any provision of this warranty is prohibited by federal, state, or municipal law which cannot be preempted, it shall not be applicable. This warranty gives you specific legal rights, and you may also have other rights which vary from state to state.