



**Model 782 Black Diamond™ CO<sub>2</sub> BB/Pellet Air Rifle**  
**OWNER'S MANUAL**



**READ ALL INSTRUCTIONS AND WARNINGS IN  
THIS MANUAL BEFORE USING THIS AIRGUN.**

## **CONGRATULATIONS**

And thank you for choosing Crosman Airguns Model 782 Black Diamond™ CO<sub>2</sub> BB/Pellet Air Rifle.

The Black Diamond includes many up-to-date features which will mean easier handling, greater accuracy and more enjoyment for you.

- Convenience of CO<sub>2</sub> power.
- 5-shot pellet clip.
- Sleek black and white finish.
- Dual ammo (BBs or pellets).

To get the most enjoyment from your new airgun, please read the owner's manual completely. And remember, the Model 782 is not a toy. Treat it with the same respect you would a firearm. Always carefully follow the safety instructions found in this Owner's Manual and keep this manual in a safe place for future use.

Thank you for choosing a Crosman airgun.



**WARNING:** NOT A TOY. ADULT SUPERVISION REQUIRED. MISUSE OR CARELESS USE MAY CAUSE SERIOUS INJURY OR DEATH. MAY BE DANGEROUS UP TO 475 YARDS (435 METERS).

READ ALL INSTRUCTIONS BEFORE USING.

BUYER AND USER HAVE THE DUTY TO OBEY ALL LAWS ABOUT THE USE AND OWNERSHIP OF THIS AIRGUN.

THIS AIRGUN IS INTENDED FOR USE BY THOSE 16 YEARS OF AGE OR OLDER.

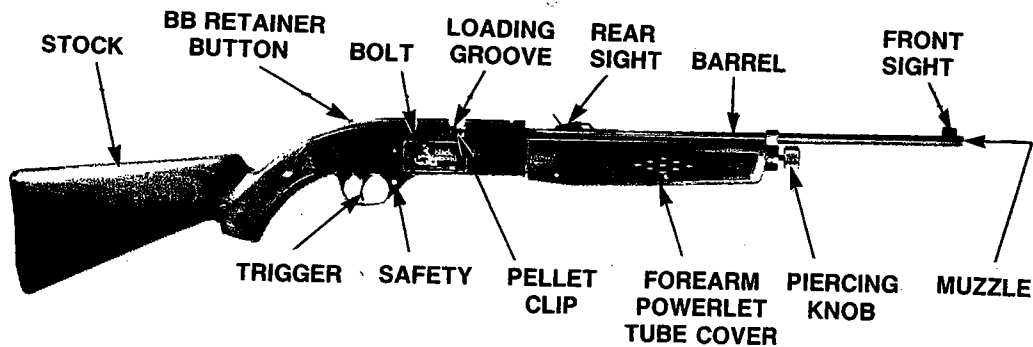
2

## STEPS FOR SAFE SHOOTING

	Page
Step 1. Learning the Parts of Your New Air Rifle.....	4
Step 2. Operating the Safety.....	5
Step 3. Removing and Installing CO <sub>2</sub> Cylinder.....	5-6
Step 4. Loading and Unloading BBs.....	7-8
Step 5. Loading and Unloading Pellets.....	9-10
Step 6. Aiming and Firing Safely.....	11
Step 7. Removing a Jammed BB or Pellet.....	12
Step 8. Maintaining your Air Rifle.....	13-14
Step 9. Reviewing Safety.....	15
Step 10. Using and Enjoying Your Air Rifle.....	16-17

### Step 1. Learning the Parts of Your New Air Rifle

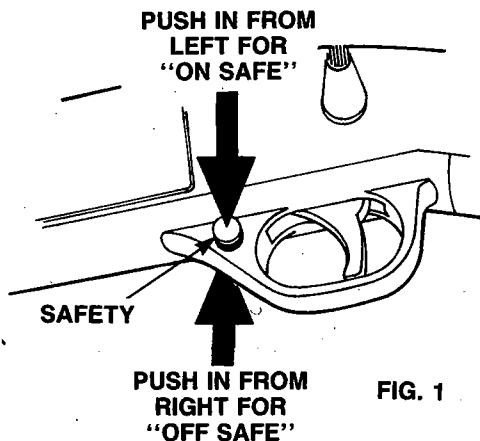
Learning the names of the parts of your new air rifle will help you to understand your Owner's Manual. Use this manual to increase your airgun enjoyment.



Model 782 Black Diamond™

### Step 2. Operating the Safety

- A. To put the air rifle "On Safe", locate the safety directly in front of the trigger. Push the safety from the left side all the way in. (Fig. 1). The safety is not on unless it is pushed all the way in and the red ring around the safety is not showing. The air rifle will not fire when "On Safe".
- B. Even when the safety is "On Safe" you should continue to handle the air rifle safely. Don't point the gun at anything you don't intend to shoot.
- C. To take the air rifle "Off Safe", push the safety from the right side all the way in. When you can see the red ring around the safety, the rifle is "Off Safe" and will fire.



**⚠ WARNING: KEEP THE AIR RIFLE "ON SAFE" UNTIL YOU ARE ACTUALLY READY TO SHOOT. THEN PUSH IT TO "OFF SAFE".**

### Step 3. Removing and Installing

#### CO<sub>2</sub> Cylinder

- A. Removing CO<sub>2</sub> Cylinder

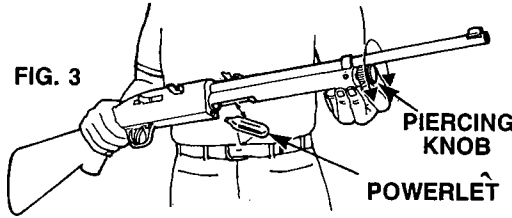
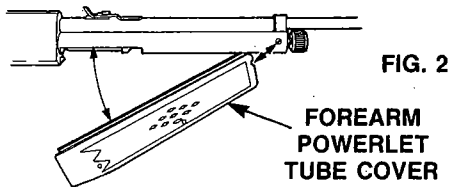
- Put rifle on safe. (See Step 2)

**⚠ CAUTION: KEEP HANDS AWAY FROM ESCAPING CO<sub>2</sub> GAS. IT CAN CAUSE FROSTBITE IF ALLOWED TO COME IN CONTACT WITH SKIN**

- Remove the forearm Powerlet tube cover by pulling downward on it. (Fig. 2)
- Holding the rifle by the pistol grip, turn the piercing knob until the used CO<sub>2</sub> Powerlet drops out of the tube. (Fig. 3)

**B. Installing New CO<sub>2</sub> Cylinder**

- Insert the new CO<sub>2</sub> cylinder into the rifle with the small neck of the cylinder pointing toward the rear of the gun. (Fig. 3)
- Screw the piercing knob firmly into place by turning it with your fingers.
- Point the rifle in a SAFE DIRECTION, cock the rifle by pulling the bolt all the way back, push the bolt forward, take off safe, and pull the trigger. If the rifle does not fire, tighten the piercing knob a little more and try to fire again. Do not over-tighten the piercing knob or use a tool on this knob. This can damage your rifle.
- Snap the forearm powerlet tube cover back into place.
- Return safety to on safe position.



**NOTE:** We recommend the use of Crosman Copperhead CO<sub>2</sub> Powerlets®. They are made to fit the Black Diamond. Other brands of CO<sub>2</sub> cylinders may not fit properly and if you force them into place it may result in injury to you or damage to your rifle. Never try to force any CO<sub>2</sub> cylinder into or out of place.

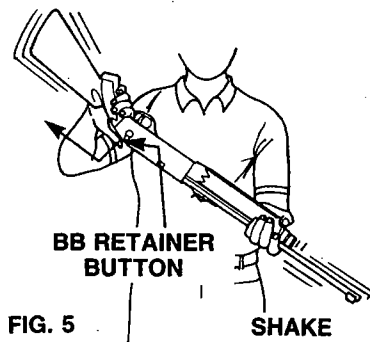
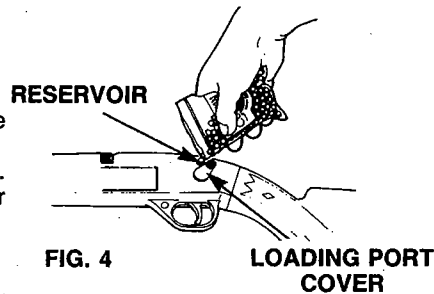
**⚠ WARNING: CO<sub>2</sub> CYLINDERS MAY EXPLODE AT TEMPERATURES ABOVE 120°F (49°C).**

6

**Step 4. Loading and Unloading BBs.**

**A. Loading the BBs**

- Put the air rifle "On Safe".
- Slide the loading port cover toward the rear of the air rifle. (Fig. 4)
- Pour no more than 195 BBs into the reservoir. Do not overfill. Do not put pellets in the reservoir hole. They will jam the reservoir.
- Close the loading port cover.
- Pull the BB retainer button back.
- Turn the rifle over, tilt the barrel downward slightly and shake the gun (Fig. 5) to fill the visual magazine. (Fig. 6)
- Push BB retainer button forward to keep BBs in visual magazine. (Fig. 6)
- With the barrel tilted downward, cock the bolt by pulling it all the way back. The magnetic bolt will pick up a BB.
- Position the pellet clip so the bolt will feed through one of the pellet chambers in the clip. (Fig. 6)
- Push the bolt all the way forward slowly and you will see the BB move through the clip. (Fig. 6). The BB is now in a position to be fired out the barrel.



**NOTE:** BBs will not transfer from the magazine to the barrel unless the barrel is tilted downward.

7

## B. Unloading BBs

**NOTE:** Airgun must be charged with CO<sub>2</sub> when following this procedure.

- Point the air rifle in a safe direction and fire. This will unload the BB from the magnetic bolt.
- Put the air rifle "On Safe".
- Pull the BB retainer button back.
- Tilt the barrel up just slightly and shake the gun until all the BBs are out of the magazine. (Fig. 7)
- Push the BB retainer button forward to block BBs from the magazine.
- Tilt the air rifle downward and cock the bolt by pulling it all the way back. If there are still BBs in the magazine, the magnetic bolt will pick one up. Push the bolt all the way forward slowly. If there is a BB on the bolt you will see the BB move through the clip. If there is a BB on the magnetic bolt, point it in a safe direction, take it "Off Safe" and fire. **REMEMBER**, unless the barrel is tilted downward the BBs will not transfer from the magazine to the barrel.
- Repeat this unloading procedure until you are sure the rifle is no longer loaded.

Before storing your rifle, unload the reservoir by turning the rifle over to the left side, opening the loading port cover and shaking it until all of the BBs have been removed.

Also remove CO<sub>2</sub> cartridge before storing. (Step 3)

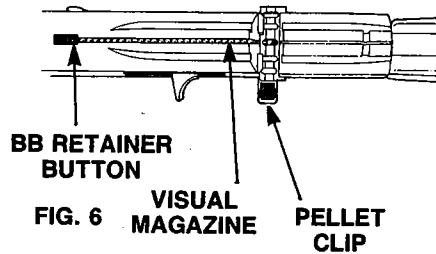


FIG. 6

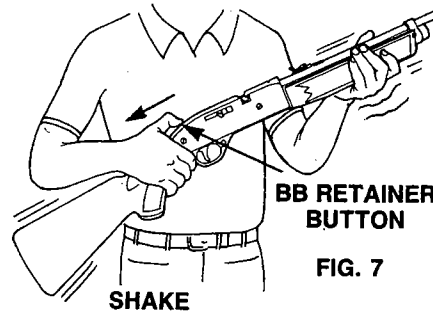


FIG. 7

8

## Step 5. Loading and Unloading Pellets

### A. Loading Pellets

- Unload the BBs from the air rifle (See Step 4B)
- Put the air rifle "On Safe".
- Pull the bolt to the rear.
- Grasp the pellet clip handle and remove it by pulling it to the right.
- Place a pellet (nose first) in each of the five pellet chambers (Fig. 8). **IMPORTANT:** To avoid jams or deforming pellets make sure each pellet skirt is level or slightly below the rim of the pellet chamber.
- Replace the pellet clip lining it up with the barrel chamber, (make sure the pellet clip handle is on the right side of the gun). (Fig. 9)
- **IMPORTANT:** If it is not lined up properly, you will not be able to push the bolt forward.
- Push the bolt all the way forward. The air rifle is now ready to be fired.
- Repeat this procedure with each of the chambers.

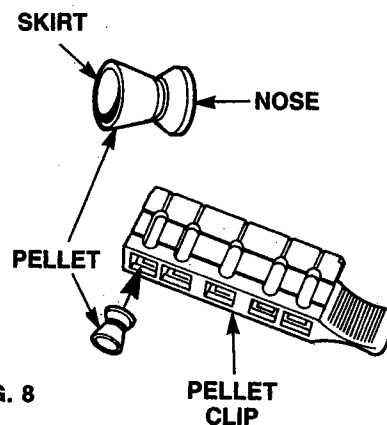


FIG. 8

## B. Unloading Pellets

**NOTE:** Airgun must be charged with CO<sub>2</sub> when following this procedure.

- With the air rifle "On Safe", cock and close the bolt, aim in a SAFE DIRECTION, take "Off Safe", and fire.
- Put the air rifle "On Safe".
- Remove the pellet clip. (See Step 5A).
- Using a ramrod or metal clothes hanger or other similar tool, gently push each pellet out of the clip. **IMPORTANT:** Never use sharp metal tools to remove pellets.
- Lay the clip aside.
- With the air rifle "On Safe", cock and close the bolt, aim in a SAFE DIRECTION, take "Off Safe", and fire.
- Another way of unloading the air rifle is to follow the directions listed under Step 7 -- Removing a Jammed BB or Pellet.
- Put the empty clip back in your air rifle.

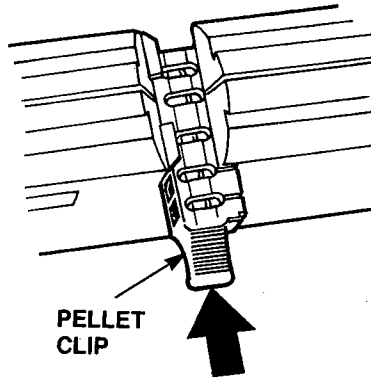


FIG. 9

**CAUTION:** USE BBs OR .177 CALIBER PELLETS ONLY, NEVER REUSE AMMUNITION. USE OF ANY OTHER AMMUNITION CAN CAUSE INJURY TO YOU OR DAMAGE TO THE RIFLE.

## Step 6. Aiming and Firing Safely

### A. Aiming the Air Rifle

Always aim your air rifle in a SAFE DIRECTION. When you are sure of your target and backstop, and the area around the target is clear, take the rifle "Off Safe" (see Step 2) and squeeze the trigger to fire.

Don't shoot at hard surfaces or at the surface of water. The BB or pellet may bounce off and hit someone or something you had not intended to hit.

The air rifle is correctly aimed when the front sight blade is positioned exactly in the notch of the rear sight. The top of the front sight blade should be even with the top of the notch in the rear sight. The bullseye should appear to rest on the top of the front sight. (Fig. 10)

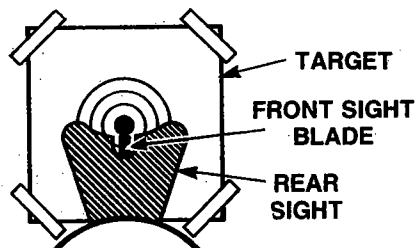


FIG. 10

### B. Sight Adjustment

The rear sight may be adjusted to shoot higher or lower (elevation). Move the rear sight elevator back to make the BB or pellet hit higher on the target. Move the rear sight elevator forward to make the BB or pellet hit lower on the target. When moving the elevator, slightly lift the rear sight and reset it on the desired notch in the elevator. (Fig. 11)

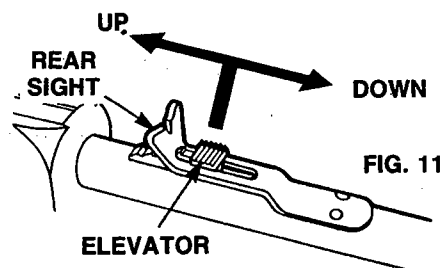


FIG. 11

**Step 7. Removing a Jammed BB or Pellet**

- A. Don't reload.
- B. Put the air rifle "On Safe"
- C. Remove CO<sub>2</sub> cylinder from rifle. (See Step 3)
- D. Unload the BBs from the visual magazine. (See Step 4B).
- E. Remove and unload the clip. (See Step 5)
- F. With the air rifle "On Safe", open the bolt, insert a rod or straightened clothes hanger into the barrel and carefully push the jammed pellet or BB into the loading groove. Don't try to reuse that pellet or BB again. (Fig. 12)

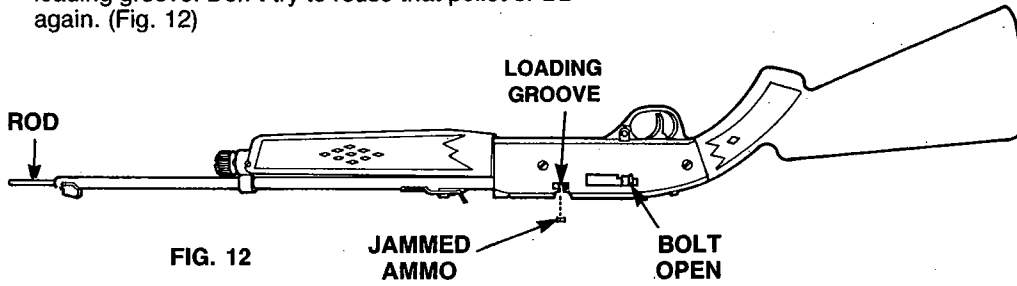


FIG. 12

**Step 8. Maintaining Your Air Rifle**

Trouble Shooting Guide	REASONS											
	CO <sub>2</sub> cylinder low or empty	Safety in on position	Barrel Plugged	CO <sub>2</sub> cylinder not fully pierced	Temperature below recommended level	Defective or improper ammunition	Ammunition not in load position	Gun fired beyond recommended number of shots	Gun not cocked	Pellet loaded backwards	Bolt in open position	Pellet Clip not properly aligned
PROBLEMS												
INACCURACY	●			●	●	●		●		●		
BARREL PLUGGED	●				●	●		●		●		
GUN LEAKS					●							
LOW POWER	●			●	●	●		●		●		
GUN FAILS TO SHOOT	●	●	●	●	●	●	●	●	●	●	●	●

Your air rifle will work best if you oil it every 250 shots. Put 2 or 3 drops of Crosman Pellgunoil® on the piercing knob threads and the CO<sub>2</sub> piercing assembly as shown in Fig. 13. A little oil on the barrel helps prevent rust. Pellgunoil® (available for order through Crosman Accessories Catalog) is best, but any light household oil is better than none. Don't over-oil. This can cause damage to your air rifle. (Fig. 13)

Tampering with the gun or attempts to change the gun in any way make it unsafe to use. If you drop your gun, check it to see that it works properly before you use it again. If anything seems changed, like a shorter or weaker trigger pull, this may mean worn out or broken parts. Don't use it again until you've had it checked by an Authorized Service Station (A list of Service Stations is in the box with the Rifle.)

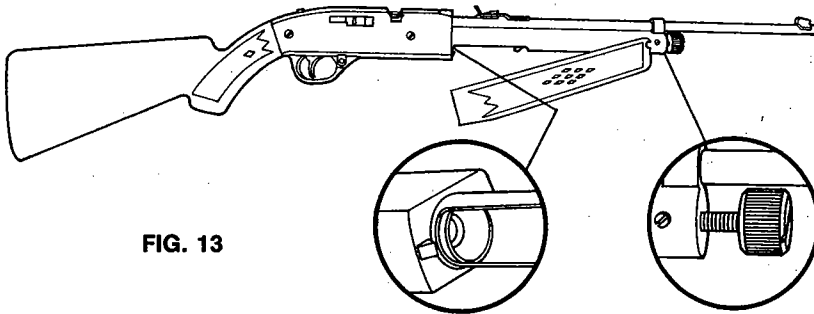


FIG. 13

14

### Step 9. Reviewing Safety

- Always treat your air rifle as though it were loaded. Don't point at anything you don't intend to shoot. Always aim in a SAFE DIRECTION.
- Always keep the rifle on safe until you are ready to shoot in a SAFE DIRECTION.
- Always wear shooting glasses to protect your eyes.
- Keep hands away from escaping CO<sub>2</sub> gas. It can cause frostbite if allowed to come in contact with skin.
- Stop using a backstop if it becomes worn. Place backstop in a location that will be safe should the backstop fail.
- Never reuse ammunition. Use .177 caliber pellets and BBs only.
- Don't shoot at hard surfaces such as metal or water. The BB or pellet may bounce off or ricochet and hit someone or something you had not intended to hit.
- Do not attempt to disassemble or tamper with your gun. Use a competent repairman.
- Always check to see if the rifle is on safe and unloaded when getting it from another person or from storage.
- Don't put the rifle away loaded. Make sure all of the BBs and pellets are unloaded. (Step 4B and Step 5B). Also unload the BBs from the reservoir before storing your air rifle.



### Step 10. Using and Enjoying Your Air Rifle

Now that you have studied your owner's manual and understand how to use your air rifle properly, you are ready to begin your shooting enjoyment. Follow these shooting tips for fun and safe shooting.

#### Choosing Targets

Always choose your targets carefully. It is best to shoot at paper bullseye targets which are attached to a safe backstop such as the Crosman Target Trap. A heavy blanket should be hung behind the target trap to prevent ricochet or BBs or pellets bouncing off should you miss the backstop. It is also best to wear shooting glasses to protect your eyes.

Don't shoot at hard surfaces or at the surface of water. The BB or pellet may bounce off and hit someone or something you had not intended to hit.

Your backstop should be checked for wear before and after each use. Stop using any backstop if the surface is worn or damaged or if the BB or pellet bounces off or ricochets.

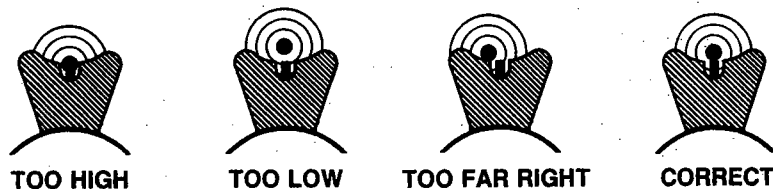
Your airgun is designed for target shooting and is suited for both indoor and outdoor use. Always remember to place your target carefully. THINK what you will hit if you miss the target!

#### Shooting

We talked earlier about aiming your air rifle and sight adjustment (Step 6). The next step is putting the sights together with the target. This is known as sight picture.

A correct sight picture has the bullseye directly centered on top of the front sight with both sights correctly aligned. (Fig. 14)

FIG. 14



Now with the sights and target in the proper position, you are ready to squeeze the trigger.



A trigger must be squeezed smoothly to keep the sights aligned and on the target as you fire the gun.

#### Shooting Games

Competing with friends and holding informal shooting matches can make airgun ownership more fun and exciting. Crosman silhouette targets will help make your neighborhood matches the most popular around.

REMEMBER... shooters are made, not born. Know the basics of safe shooting.

## SPECIFICATIONS:

Mechanism: CO<sub>2</sub> Bolt Action, 5-shot pellet clip  
Caliber: .177  
Ammunition: BB cal. (4.5 mm) Steel Airgun Shot   
.177 cal. (4.5 mm) Lead Airgun Pellet   
Reservoir: 195 BBs  
Magazine: 21 BBs  
Weight: 3 lbs. (1.37 kg)  
Overall  
Length: 35 7/8" (94 cm)  
Sights: Rear Elevation Adjustment  
Front Fixed Blade  
Barrel: Solid Steel Rifled  
Safety: Cross Bolt

Projectile	Weight	*Max. Muzzle Velocity
BB	5.5 gr.	650 feet per second
.177 Pellet	7.9 gr.	595 feet per second

**Average Shots per CO<sub>2</sub> Powerlet\*:**  
45

**NOTE:** Operating rifle at below 70°F will decrease the number of effective shots. The reverse is true for operation above 70°F.

\*Initial velocity listed may exceed average velocity up to 15%. Many factors affect velocity, including brand of projectile, type of projectile, amount of CO<sub>2</sub> in cartridge, oiling of the gun, barrel condition, temperature and elevation.

## REPAIR SERVICE

If your gun needs repair, we recommend you take or send it to your nearest Crosman Authorized Service Center, (list of service centers in box with gun). Your gun requires special tools and fixtures to repair it. If you take it apart, you probably will not be able to reassemble it correctly. Crosman assumes no warranty responsibility in this case.

## A SPECIAL CUSTOMER SERVICE

Crosman Authorized Service Stations will unjam your rifle at no cost during the warranty period.

18

## LIMITED ONE YEAR WARRANTY

This product is warranted to the retail consumer for one year from date of retail purchase against defects in material and workmanship and is transferable. To register the serial number of your gun, please return the Airgun registration form. The warranty is not conditioned on the return of the card.

### WHAT IS COVERED

Replacement parts and labor. Transportation charges to consumer for repaired product.

### WHAT IS NOT COVERED

Transportation charges to Crosman for defective product. Damages caused by abuse or failure to perform normal maintenance — see Owner's Manual. Sales outside of the United States. Any other expense. CONSEQUENTIAL DAMAGES, INCIDENTAL DAMAGES, OR INCIDENTAL EXPENSES, INCLUDING DAMAGE TO PROPERTY. SOME STATES DO NOT ALLOW THE EXCLUSION OR LIMITATION OF INCIDENTAL OR CONSEQUENTIAL DAMAGES, SO THE ABOVE LIMITATION OR EXCLUSION MAY NOT APPLY TO YOU.

### HOW TO OBTAIN WARRANTY PERFORMANCE

Locate nearest Crosman Service Center on list with Product or in phone book. Attach to Product your name, address, description of problem, phone number and proof of date of retail purchase (sales slip). Package and return Product to Crosman Service Center, transportation charges prepaid.

### IMPLIED WARRANTIES

ANY IMPLIED WARRANTIES, INCLUDING THE IMPLIED WARRANTIES OF MERCHANTABILITY AND FITNESS FOR A PARTICULAR PURPOSE, ARE LIMITED IN DURATION TO ONE YEAR FROM DATE OF RETAIL PURCHASE. SOME STATES DO NOT ALLOW LIMITATIONS ON HOW LONG AN IMPLIED WARRANTY LASTS, SO THE ABOVE LIMITATIONS MAY NOT APPLY TO YOU.

To the extent any provision of this warranty is prohibited by federal, state, or municipal law which cannot be preempted, it shall not be applicable. This warranty gives you specific legal rights, and you may also have other rights which vary from state to state.