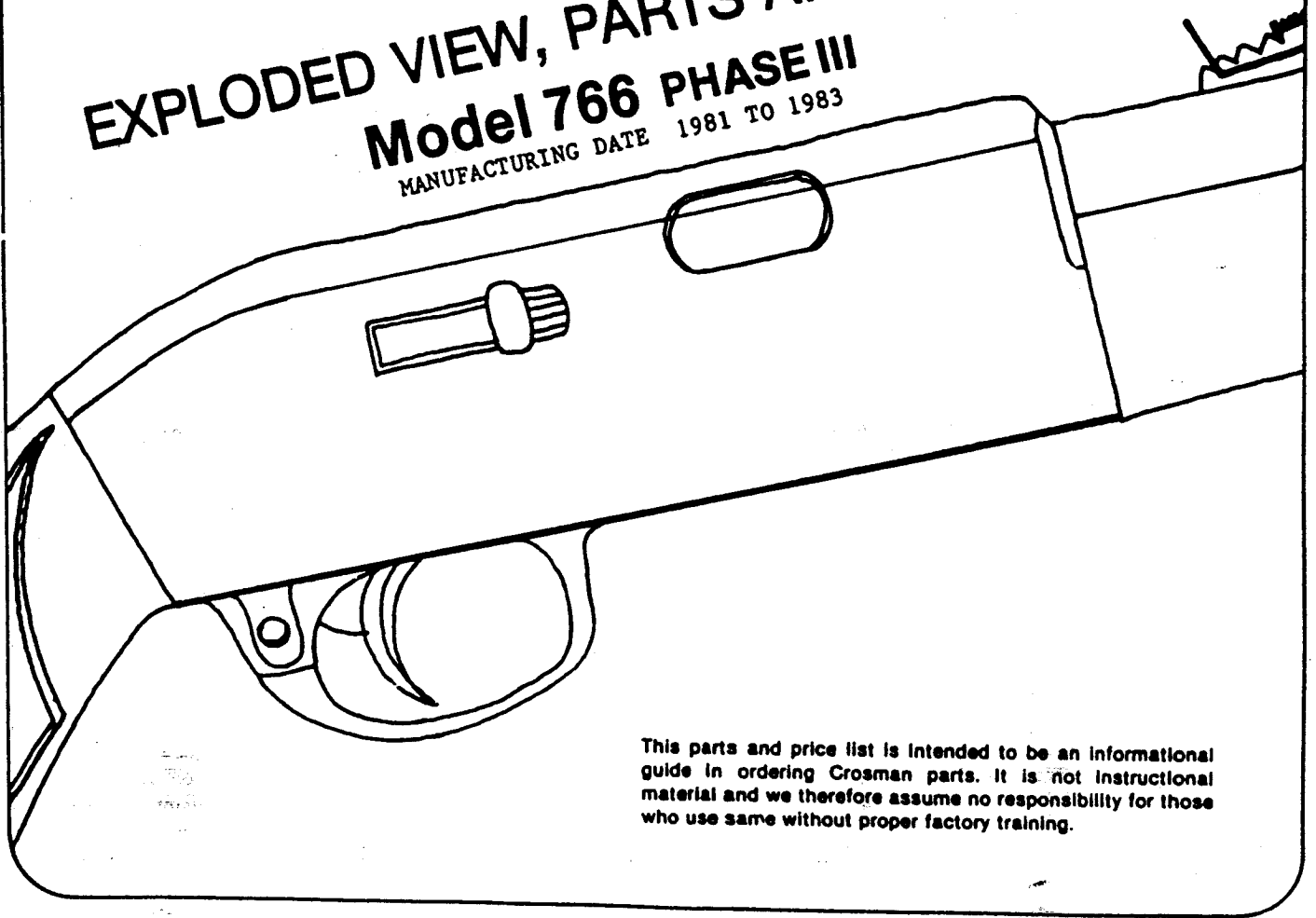




EXPLODED VIEW, PARTS AND PRICE LIST
Model 766 PHASE III
MANUFACTURING DATE 1981 TO 1983



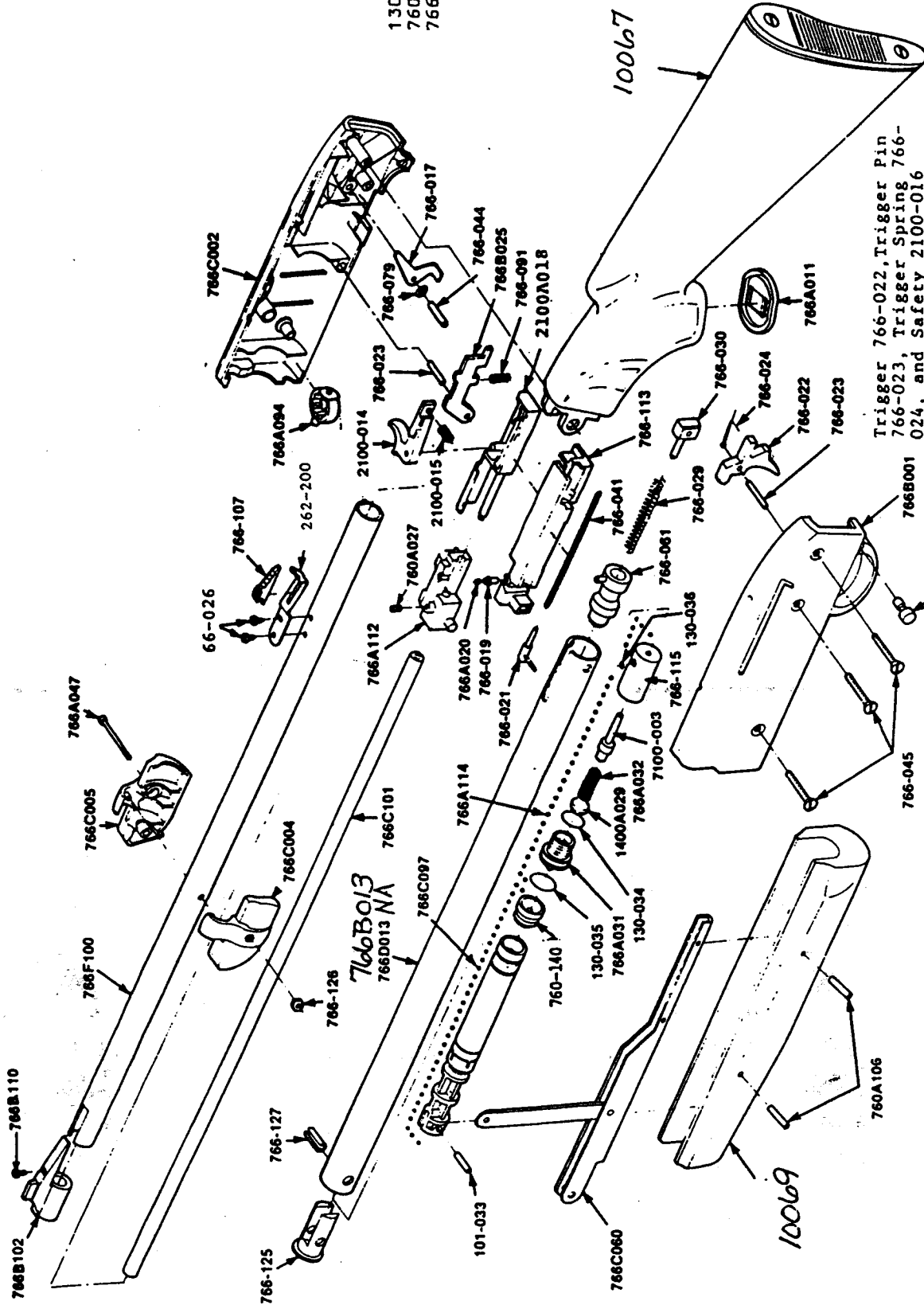
This parts and price list is intended to be an informational guide in ordering Crosman parts. It is not instructional material and we therefore assume no responsibility for those who use same without proper factory training.

REPRINT 7/93

CROSMAN AIRGUNS
Rt. 5&20 East Bloomfield, N.Y. 14443

PHASE III

Starting with serial number 681213209



Seal Kit

130-036	-	.50
760-140	-	.50
766A114	-	4.95
		<u>5.95</u>

Trigger 766-022, Trigger Pin 766-023, Trigger Spring 766-024, and Safety 2100-016 should be assembled in L.H. Receiver 766B001 as soon as possible before replacing it back on R.H. Receiver 766C002

MODEL 766 PHASE III

