

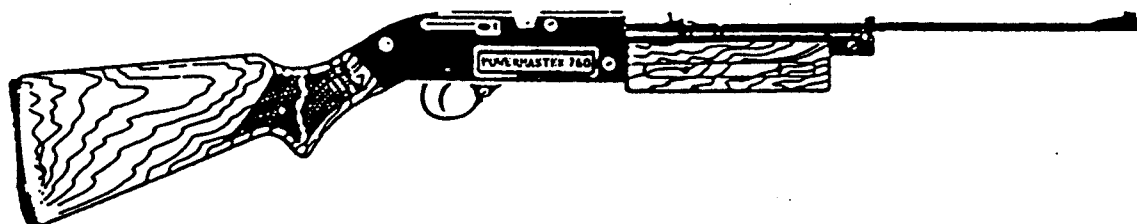


## EXPLODED VIEW, PARTS AND PRICE LIST

20th Anniversary  
LIMITED EDITION

### Model 760 Phase II (Hammer Drop)

Manufactured August 1980 to 1983  
POWERMMASTER



This parts and price list is intended to be an informational guide in ordering Crosman parts. It is not instructional material and we therefore assume no responsibility for those who use same without proper factory training.

REPRINTED 7/93

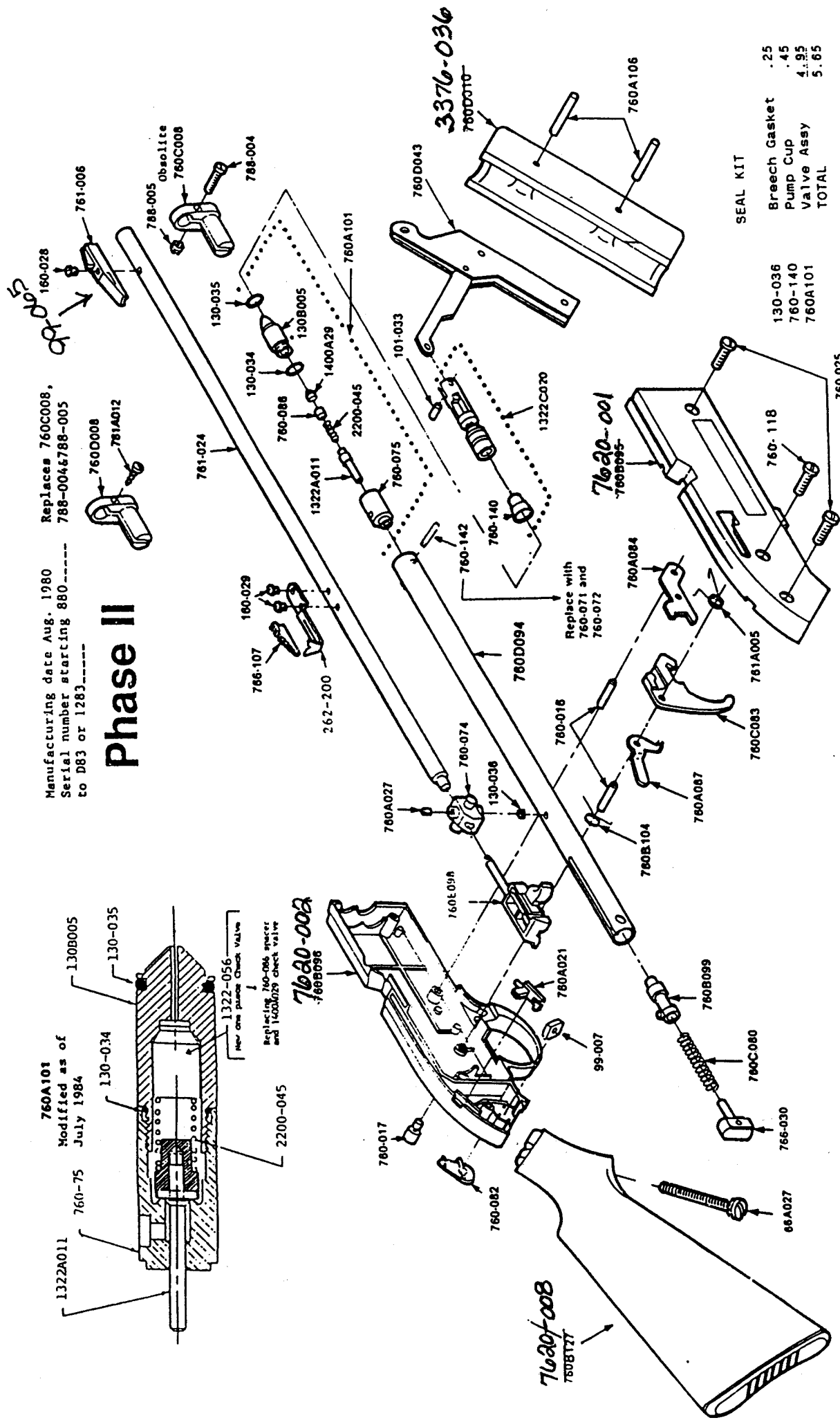
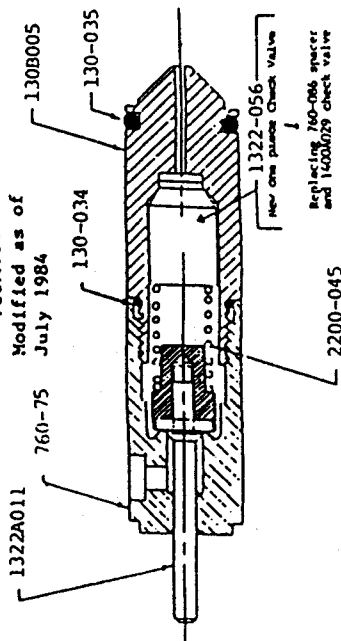
CROSMAN AIRGUNS

Rts. 5 & 20 East Bloomfield, NY 14443

Manufacturing date Aug. 1980  
 Serial number starting 880-----  
 to D83 or 1283-----

# Phase II

760A101  
 Modified as of  
 July 1984



SEAL KIT

Breech Gasket	.25
Pump Cup	.45
Valve Assy	4.95
TOTAL	5.65

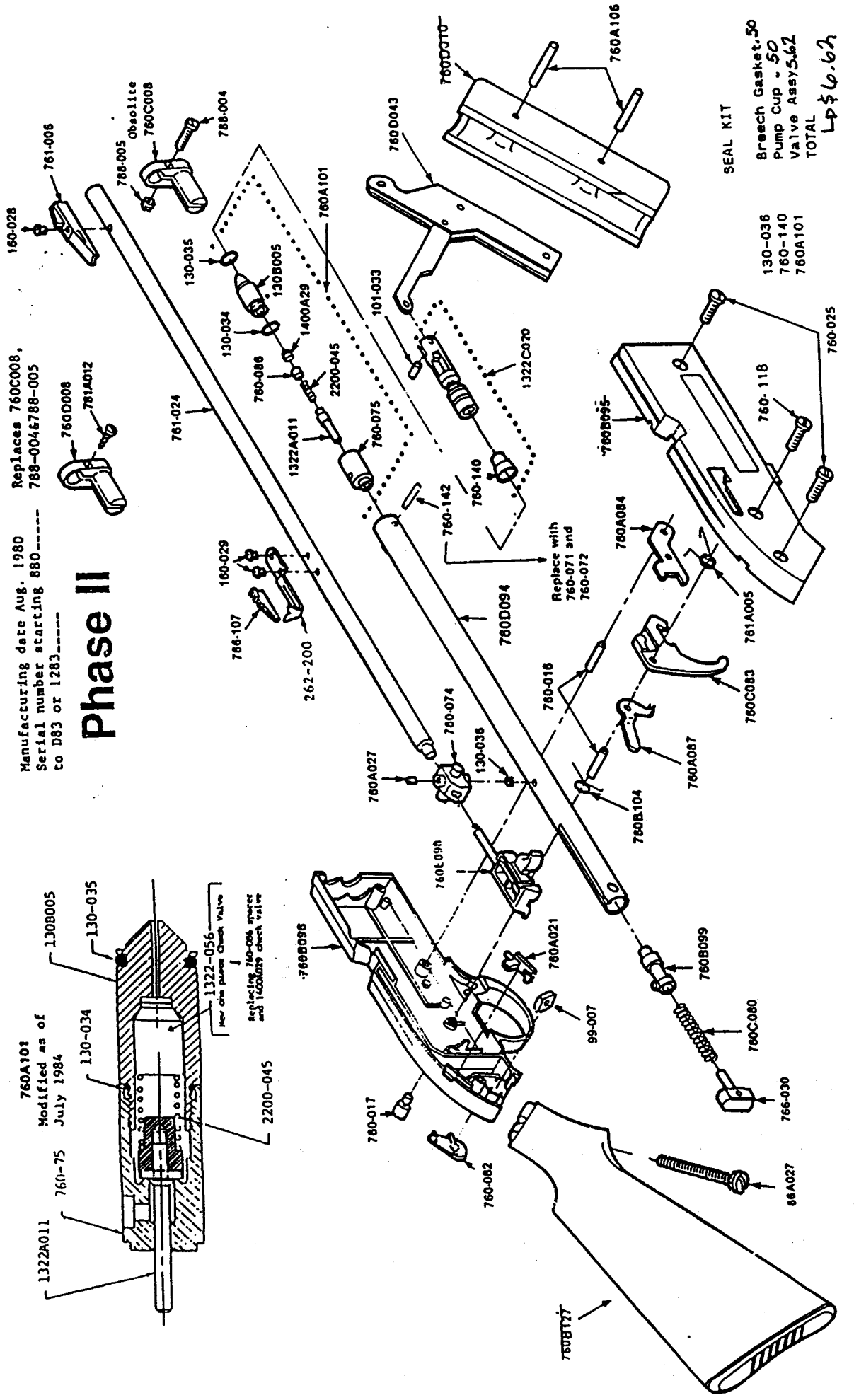
130-036	760-025
760-140	760-118
760A101	760-084

This parts and price list is intended to be an informational guide in ordering Crosman parts. It is not instructional material and we therefore assume no responsibility for those who use same without proper factory training.

CUTAWAY DRAWING ON BACK PAGE

Manufacturing date Aug. 1980  
 Serial number starting 880-----  
 to D83 or 1283-----

# Phase II



SEAL KIT  
 Breech Gasket-50  
 Pump Cup - 50  
 Valve Assy 5.62  
 TOTAL  
 LP \$ 6.62

130-036  
 760-140  
 760A101

This parts and price list is intended to be an informational guide in ordering Crosman parts. It is not instructional material and we therefore assume no responsibility for those who use same without proper factory training.

CUTAWAY DRAWING ON BACK PAGE

MODEL 760 (HAMMER DROP) ASSEMBLIES AND PARTS LIST PHASE II

PART #	DESCRIPTION	QTY	PRICE	PART #	QTY	DESCRIPTION	PRICE
99-065	Front sight hood	1	7.80				
66A027	Stock Screw	1	.70	760A088	1	Interlock Spring	.50
99-007	Square Nut	1	.65	760E094	1	Pump Tube	3.60
101-033	Plunger guide pin	1	.50	<del>760B095</del>	1	Receiver R.H.	1.80
130B005	Check Valve Body	1	1.30	760B096	1	Receiver L.H.	1.30
130-034	O-ring	1	.50	760E098	1	Bolt Assembly	5.63
130-035	O-ring	1	.50	760B099	1	Hammer Assembly	.50
130-036	O-ring	1	.50	760A101	1	Valve Assembly	.50ea
160-028	Front Sight Screw	1	.50	760B104	1	Trigger Return Spring	.50
160-029	Rear Sight Screw	2	.50ea	760A106	2	Forearm Pin	.50
262-200	Rear Sight	1	.50	760-118	1	Receiver Screw	.50
760C008	Front Barrel Guide	1	.70	<del>760B127</del>	1	Stock Assembly-	.50
760D008	Front Barrel Guide	1	.70	761A005	1	Trigger Spring	.50
<del>760E010</del>	Forearm	1	.50ea	760-140	1	Pump Cup	.50
760-016	Trigger Pivot pin	2	.50ea	760-142	1	Lever Pivot Pin	5.20
760-017	Safety	1	.50	761-006	1	Front Sight	.50
760A021	BB Retainer	1	.50	761-024	1	Barrel	.50
760-025	Receiver Screws	2	.50ea	766-107	1	Elevator	.50
760A027	Brl Support Screw	1	.50	766-030	1	Tube Plug	.50
760D043	Lever & link Assy	1	3.50	781A012	1	Barrel Band Screw	.50
760-071	Pivot Pin	1	.55	788-004	1	Barrel Band Screw	.50
760-072	Pivot Pin Retainer	1	.50	788-005	1	Barrel Band Nut	.50
760-074	Barrel Support	1	1.20	788-022	1	Oil Retainer (not Neccessary)	1.25
760-075	Valve Body	1	1.00	1322A011	1	Valve Stem Assy	1.35
760C080	Hammer Spring	1	.50	1322C020	1	Connecting Rod Assy	1.35
760-082	Port Cover	1	.50	1322-056	1	Check Valve-Replaces 1400A029 and 760-086	.55
760A084	Sear	1	.70	1400A029	1	Check Valve	.50
760-086	vlve spacer use 1322-056	1	.50	2200-045	1	Check Valve Spring	.50
760A087	Interlock	1	.50				
760C083	Trigger assembly	1	.85				

160D018  
Hammer  
160C079 pin

Order by part number and description. Price subject to change without notice.  
Check or money order in amount of total purchase must accompany parts order.