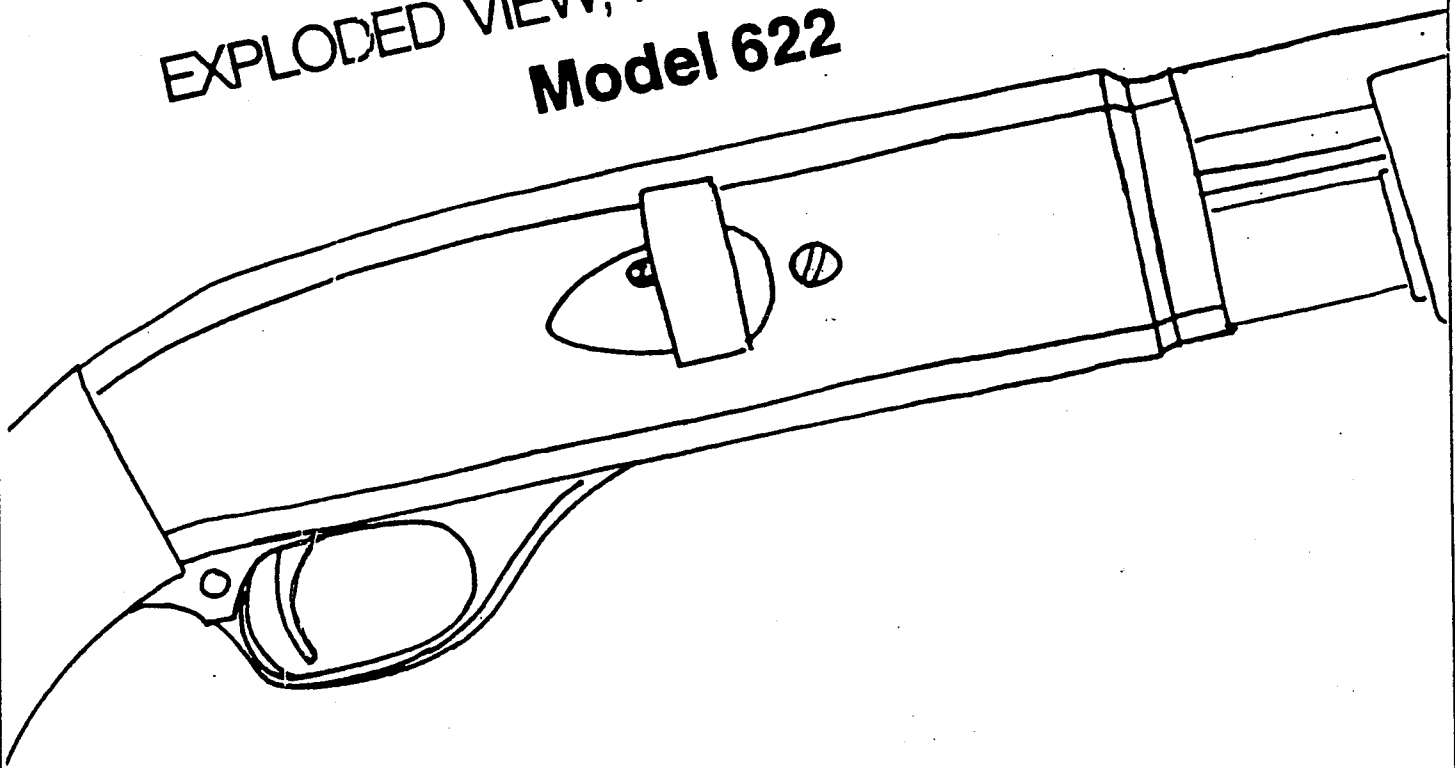


Manufacturing Date 1971 to 1976

EXPLODED VIEW, PARTS AND PRICE LIST Model 622



This parts and price list is intended to be an informational guide in ordering Crosman parts. It is not instructional material and we therefore assume no responsibility for those who use same without proper factory training.

Reprint 10/92

CROSMAN AIRGUNS
Rt. 5&20 East Bloomfield, N.Y. 14443

MODEL 622 ASSEMBLIES AND PARTS LIST

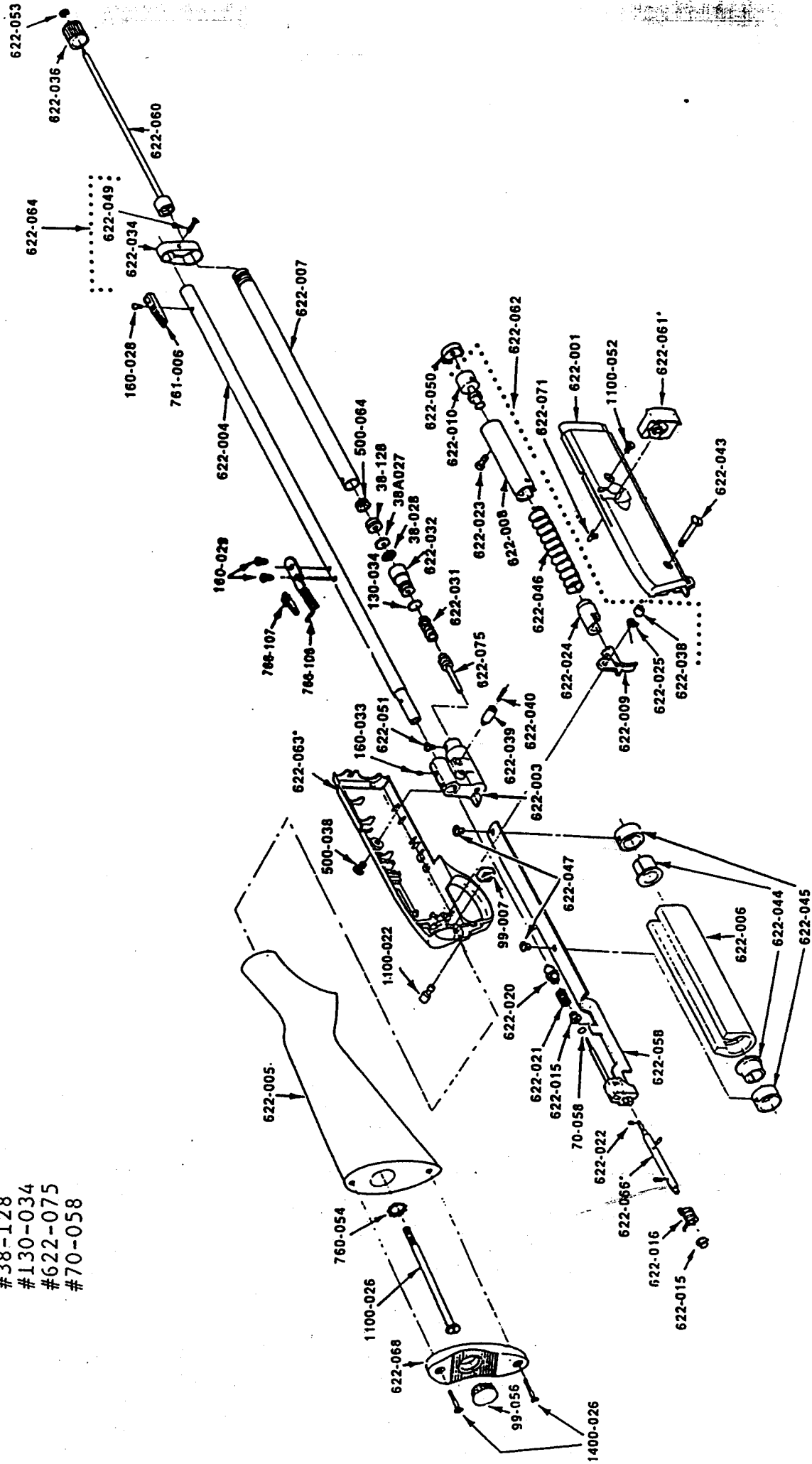
TO BE USED AS REFERENCE GUIDE ONLY

PART NO.	DESCRIPTION	QTY	PRICE	PART NO.	DESCRIPTION	QTY	PRICE
38A027	Piercing Pin	1		622-038	Trigger Spring Spacer	1	
38-028	Piercing Screen	1		622-039	Slide Detent Button	1	
38-128	End Seal	1		622-040	Slide Detent Spring	1	
70-058	Bolt O-Ring	1		622-043	Trigger Screw	1	
99-007	Stock Nut	1		622-044	Tube Bearing	2	
99-056	Butt Plate Plug	1		622-045	Tube Bearing Collar	2	
130-034	O-Ring	1		622-046	Hammer Spring	1	
160-028	Front Sight Screw	1		622-047	Forearm Screw	2	
160-029	Rear Sight Screw	2		622-049	Barrel Band Screw	1	
160-033	Barrel Set Screw	1		622-050	Hammer Tube Cover	1	
338-041	Guide Collar	1		622-051	Valve Plug Screw	1	
500-038	Valve Body Screw	1		622-053	Retaining Ring	1	
622-001	R.H. Receiver	1		622-058	Pump Link Assembly	1	
622-003	Valve Body	1		622-060	Piercing Rod Assembly	1	
622-004	Barrel	1		622-061*	Clip Assembly	1	
622-005	Stock Assembly	1		622-062	Hammer and Tube Assembly	1	
622-006	Forearm	1		622-063*	L.H. Receiver Assembly	1	
622-007	Pump Tube	1		622-064	Strap Assembly	1	
622-008	Hammer Tube	1		622-066*	Index Rod Assembly	1	
622-009	Trigger	1		622-067	Barrel Set Screw (Use 160-033)	1	
622-010	Hammer	1		622-068	Butt Plate	1	
622-015	Bushing	2		622-070	Pellet Remover Rod	1	
622-016	Index Spring	1		622-071	Clip Extractor Button	1	
622-020	Index Pawl	1		622-075	Valve Stem Assembly	1	
622-021	Index Pawl Detent Spring	1		760-054	Lock Washer	1	
622-022	Index Pawl Key	1		761-006	Front Sight	1	
622-023	Cocking Screw	1		766A106	Rear Sight	1	
622-024	Trigger Block	1		766-107	Elevator	1	
622-025	Trigger Spring	1		2100-016	Safety	1	
622-031	Valve Spring	1		1100-026	Stock Bolt	1	
622-032	Valve Plug	1		1100-052	Screw	2	
622-034	Barrel Band	1		1400-026	Butt Plate Screw	1	
622-036	Piercing Rod Cap	1					

ORDER BY PART NUMBER AND DESCRIPTION. PRICES SUBJECT TO CHANGE WITHOUT NOTICE. CHECK OR MONEY ORDER IN AMOUNT OF TOTAL PURCHASE MUST ACCOMPANY PARTS ORDER.

SEAL KIT MODEL 622

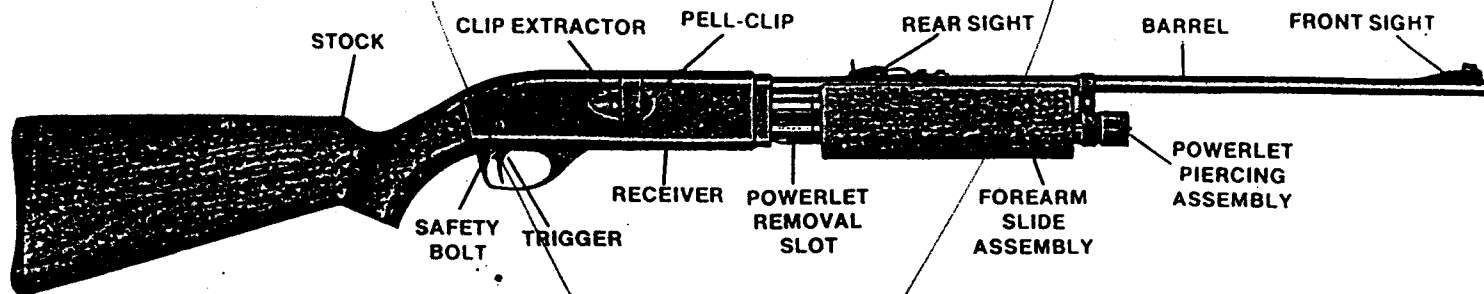
- #38A027
- #38-128
- #130-034
- #622-075
- #70-058



Factory Assembly On

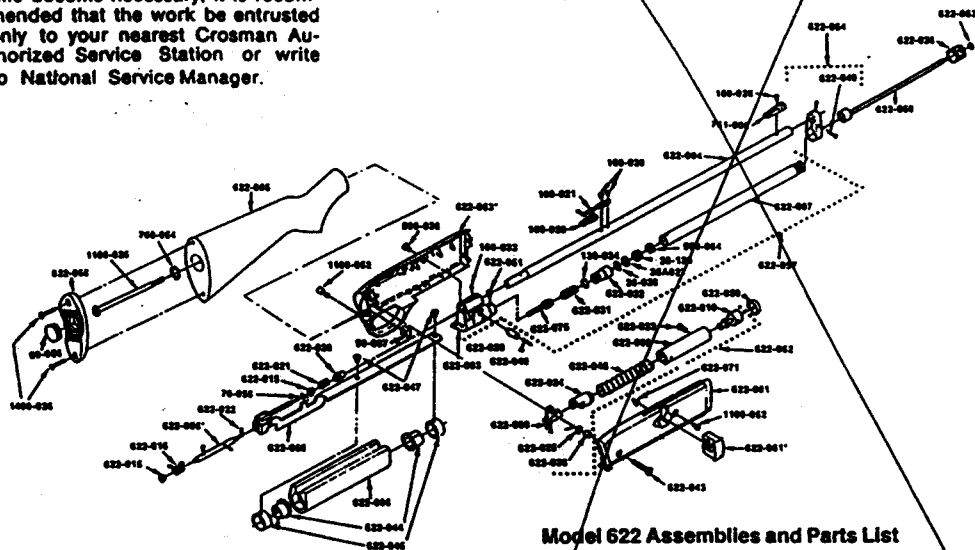


Please read this Owner's Manual carefully and thoroughly before operating gun.



REPAIR SERVICE

In the event that repairs to your rifle become necessary, it is recommended that the work be entrusted only to your nearest Crosman Authorized Service Station or to National Service Manager.



Model 622 Assemblies and Parts List

This parts and price list is intended to be an informational guide in ordering Crosman parts. It is not instructional material and we therefore assume no responsibility for those who use same without proper factory training.

PART NO.	QTY.	DESCRIPTION	PRICE	PART NO.	QTY.	DESCRIPTION	PRICE
38A-027	1	Piercing Pin	\$.20	622-031	1	Valve Spring	\$.10
38-028	1	Piercing Screen	.30	622-032	1	Valve Plug	.55
38-128	1	End Seal	.30	622-034	1	Barrel Band	.30
70-058	1	Bolt O-Ring	.10	622-036	1	Piercing Cap	.55
130-034	1	O-Ring	.10	622-038	1	Trigger Spring Spacer	.10
98-007	1	Stock Nut	.10	622-039	1	Slide Detent Button	.40
98-054	1	Butt Plate Plug	.10	622-040	1	Slide Detent Spring	.10
100-020	1	Rear Sight	.20	622-043	1	Trigger Screw	.30
100-021	1	Rear Sight Elevator	.10	622-044	2	Tube Bearing	.10
				622-045	2	Tube Bearing Collar	.70
100-026	1	Front Sight Screw	.10	622-046	1	Hammer Spring	.10
100-028	2	Rear Sight Screw	.10	622-047	2	Forearm Screw	.10
100-033				622-049	1	Barrel Band Screw	.10
500-038	1	Valve Body Screw	.10	622-050	1	Hammer Tube Cover	.20
500-064	1	Guide Collar	.45	622-051	1	Valve Plug Screw	.10
622-001	1	Receiver R.H.	2.80	622-053	1	Retaining Ring	.10
622-003	1	Valve Body	1.95	622-057	1	Valve and Tube Assembly	9.70
622-004	1	Barrel	8.85	622-058	1	Pump Link Assembly	2.70
622-005	1	Stock Assembly	12.00	622-060	1	Piercing Rod Assembly	2.00
622-006	1	Forearm	4.80	622-061	1	Clip Assembly	1.00
622-007	1	Pump Tube	2.90	622-062	1	Hammer and Tube Assembly	4.20
622-008	1	Hammer Tube	.45	622-063	1	Receiver, L.H. Assembly	3.20
622-009	1	Trigger	3.00	622-064	1	Stock Assembly	.45
622-010	1	Hammer	1.35	622-066	1	Index Rod Assembly	1.70
622-015	2	Bushing	.40	622-067	1	Valve Set Screw	.10
622-016	1	Index Spring	.10	622-068	1	Bolt Plug	1.15
622-020	1	Index Pawl	.20	622-075	1	Valve Stem Assembly	2.25
622-021	1	Index Pawl Detent Spring	.10	700-054	1	Lock Washer	2.25
622-022	1	Index Pawl Key	.10	701-006	1	Front Sight	.45
622-023	1	Cocking Knob	.10	1100-022	1	Safety	.30
622-024	1	Trigger Block	.30	1100-026	1	Stock Bolt	.50
622-025	1	Trigger Spring	.10	1100-052	2	Screw	.10
				1400-026	1	Butt Plate Screw	.10

*Factory Assembly Only

Exploded View and Parts List \$1.50

Minimum parts order \$1.00. (Order by part number and name). Prices subject to change without notice. Check or money order in amount of total purchase must accompany parts order. Parts will be shipped prepaid.