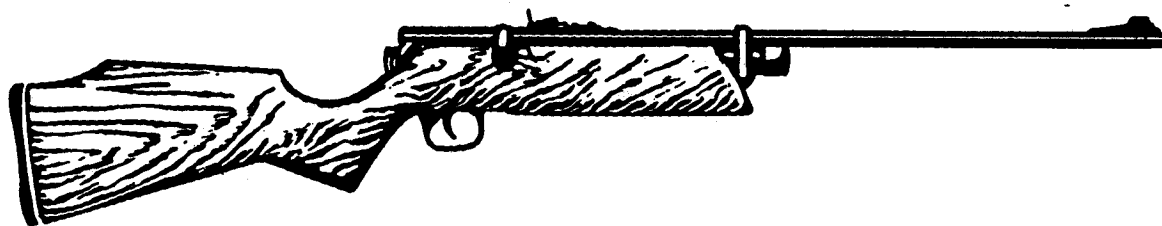


EXPLODED VIEW, PARTS AND PRICE LIST

Model 262 & 262Y Sporter

Manufacturing 9/90



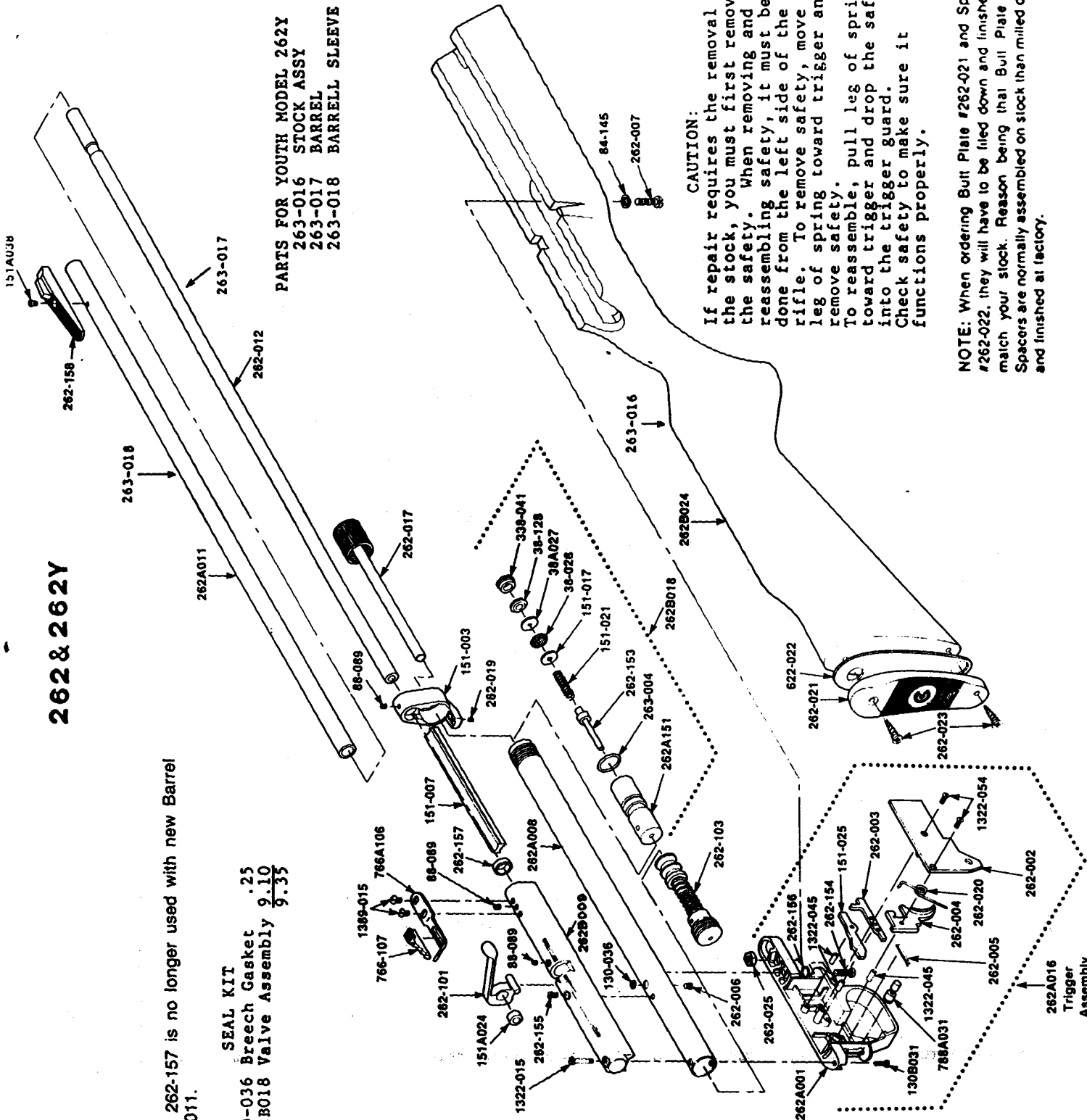
This parts and price list is intended to be an informational guide in ordering Crosman parts. It is not instructional material and we therefore assume no responsibility for those who use same without proper factory training.

262 & 262Y

Spacer Ring 262-157 is no longer used with new Barrel Sleeve 262A011.

SEAL KIT
 130-036 Breech Gasket .25
 262B018 Valve Assembly 9.10
 262B009 9.35

PARTS FOR YOUTH MODEL 262Y
 263-016 STOCK ASSY
 263-017 BARREL
 263-018 BARRELL SLEEVE



CAUTION:
 If repair requires the removal of the stock, you must first remove the safety. When removing and reassembling safety, it must be done from the left side of the rifle. To remove safety, move leg of spring toward trigger and remove safety.
 To reassemble, pull leg of spring toward trigger and drop the safety into the trigger guard. Check safety to make sure it functions properly.

NOTE: When ordering Butt Plate #262-021 and Spacer #262-022, they will have to be filed down and finished to match your stock. Reason being that Butt Plate and Spacers are normally assembled on stock than milled down and finished at factory.