



Model 262 Pellet Rifle  
**OWNER'S MANUAL**



**READ ALL INSTRUCTIONS AND WARNINGS IN  
THIS MANUAL BEFORE USING THIS AIRGUN.**

## **CONGRATULATIONS**

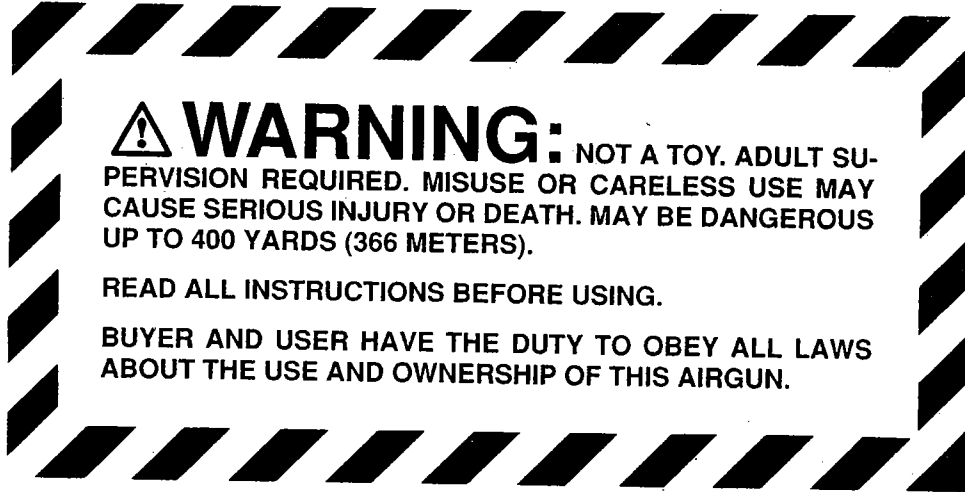
And thank you for choosing Crosman Airguns Model 262 Pellet Air Rifle.

The Model 262 includes many up-to-date features which will mean easier handling, greater accuracy and more enjoyment for you.

- Easy-to-operate bolt style loader.
- Hardwood stock.
- Convenience of CO<sub>2</sub> power.
- Made in the USA.

To get the most enjoyment from your new airgun, please read the owner's manual completely. And remember, the Model 262 is not a toy. Treat it with the same respect you would a firearm. Always carefully follow the safety instructions found in this owner's manual and keep this manual in a safe place for future use.

Thank you for choosing a Crosman airgun.



**⚠ WARNING:** NOT A TOY. ADULT SUPERVISION REQUIRED. MISUSE OR CARELESS USE MAY CAUSE SERIOUS INJURY OR DEATH. MAY BE DANGEROUS UP TO 400 YARDS (366 METERS).

READ ALL INSTRUCTIONS BEFORE USING.

BUYER AND USER HAVE THE DUTY TO OBEY ALL LAWS ABOUT THE USE AND OWNERSHIP OF THIS AIRGUN.

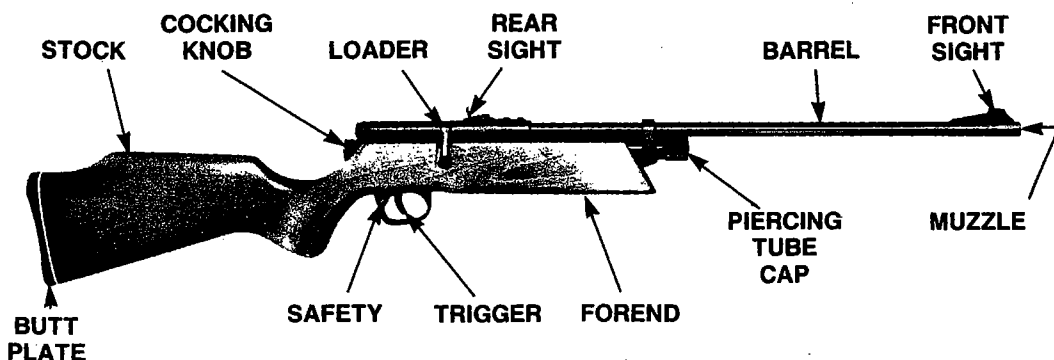
**THIS AIRGUN IS INTENDED FOR USE BY THOSE 16 YEARS OF AGE OR OLDER.**

### STEPS FOR SAFE SHOOTING

	<b>Page</b>
Step 1. Learning the Parts of Your New Rifle.....	4
Step 2. Operating the Safety.....	5
Step 3. Removing and Installing CO <sub>2</sub> Cylinder.....	6-7
Step 4. Loading and Unloading the Rifle.....	7-8
Step 5. Cocking the Rifle.....	8
Step 6. Aiming and Firing Safely.....	9-10
Step 7. Removing a Jammed Pellet.....	11
Step 8. Maintaining your Rifle.....	12-13
Step 9. Reviewing Safety.....	14
Step 10. Using and Enjoying Your Rifle.....	15-16

## Step 1. Learning the Parts of Your New Rifle

Learning the names of the parts of your new rifle will help you to understand your owner's manual. Use this manual to increase your airgun enjoyment.



Model 262

3

## Step 2. Operating the Safety

A. To put the rifle "On Safe", locate the safety directly behind the trigger. Push the safety from the left side all the way in. (Fig. 1). The safety is not on unless it is pushed all the way in and the red ring around the safety is not showing. The rifle will not fire when "On Safe".

B. Even when the safety is "On Safe" you should continue to handle the rifle safely. Don't point the gun at anything you don't intend to shoot.

C. To take the rifle "Off Safe", push the safety from the right side all the way in. When you can see the red ring around the safety, the rifle is "Off Safe" and will fire.

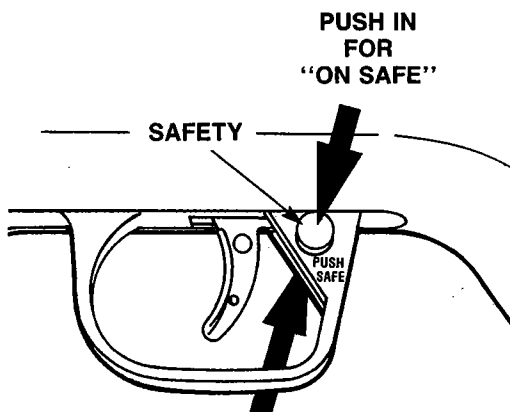


FIG. 1

**WARNING: KEEP THE RIFLE "ON SAFE" UNTIL YOU ARE ACTUALLY READY TO SHOOT. THEN PUSH IT TO "OFF SAFE".**

5

### Step 3. Removing and Installing CO<sub>2</sub> Cylinder

**CAUTION: KEEP HANDS AWAY FROM ESCAPING CO<sub>2</sub> GAS. IT CAN CAUSE FROSTBITE IF ALLOWED TO COME IN CONTACT WITH SKIN.**

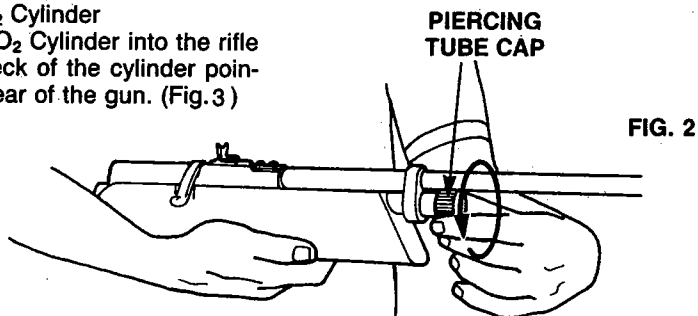
#### A. Removing CO<sub>2</sub> Cylinder

- Put rifle on safe. (See Step 2)
- Holding the rifle by the forend, turn the piercing tube cap until you can remove it. (Fig. 2)
- After removing cap, point the rifle down and the used CO<sub>2</sub> cartridge will drop out.

#### B. Installing New CO<sub>2</sub> Cylinder

- Insert the new CO<sub>2</sub> Cylinder into the rifle with the small neck of the cylinder pointing toward the rear of the gun. (Fig. 3)

- Screw the piercing tube cap firmly into place by turning it with your fingers.
- Point the rifle in a SAFE DIRECTION, cock the rifle (see step 5), take off safe, and pull the trigger. If the rifle does not fire, tighten the piercing cap a little more and try to fire again. Do not overtighten the piercing tube cap or use a tool on this cap. This can damage your rifle.
- Return safety to on safe position.



6

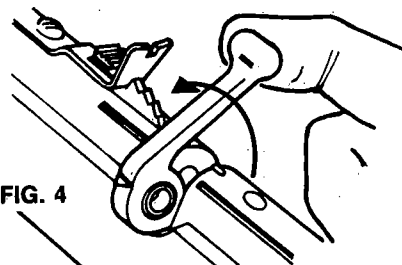
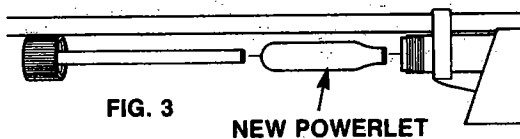
**NOTE:** We recommend the use of Crosman Copperhead CO<sub>2</sub> Powerlets®. They are made to fit the 262. Other brands of CO<sub>2</sub> cylinders may not fit properly and if you force them into place it may result in injury to you or damage to your rifle. Never try to force any CO<sub>2</sub> cylinder into place.

### Step 4. Loading and Unloading the Rifle

#### A. Loading the Rifle

- Put the rifle "On Safe". (See Step 2).
- Push pellet loader open as shown in Fig. 4.
- Place pellet, nose first, into the pellet loader. (Fig. 5). To avoid jams, make sure pellet skirt is flush with the back of the loader.
- Close the pellet loader. Make sure you have pushed it all the way over so the pellet is properly aligned with the barrel. The loader is closed properly when the arrow on the loader is lined up with the line on the breech. (Fig. 5).

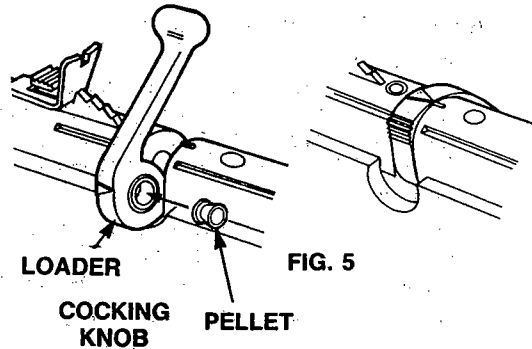
**WARNING: CO<sub>2</sub> CYLINDERS MAY EXPLODE AT TEMPERATURES ABOVE 120° F.**



**CAUTION: USE .177 CALIBER PELLETS ONLY, NEVER REUSE PELLETS. USE OF ANY PELLET OTHER THAN .177 CALIBER CAN CAUSE INJURY TO YOU OR DAMAGE TO THE RIFLE.**

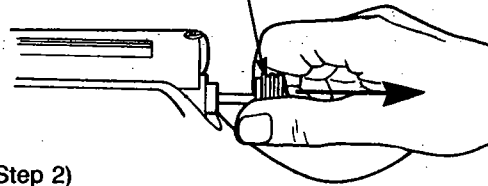
### B. Unloading the Rifle

- Aim the rifle in a **SAFE DIRECTION**, take it off safe and fire.
- Another way of unloading your rifle is to follow the directions listed under Step 7 – Removing a Jammed Pellet.



### Step 5. Cocking the Rifle

- A. Put the rifle "On Safe". (See Step 2)
- B. Pull the cocking knob all the way back until you hear two clicks and then release it. (Fig. 6)



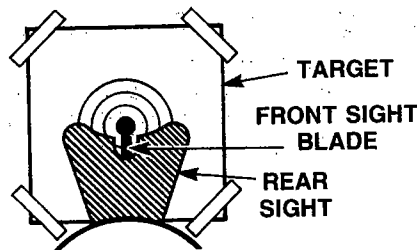
### Step 6. Aiming and Firing Safely

#### A. Aiming the Rifle

Always aim your rifle in a **SAFE DIRECTION**. When you are sure of your target and backstop, and the area around the target is clear, take the rifle "Off Safe" (see Step 2) and squeeze the trigger to fire.

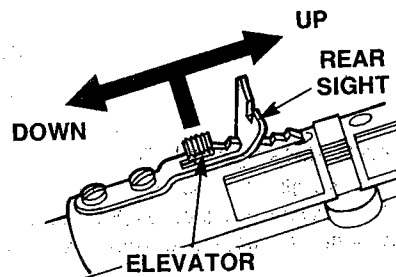
Don't shoot at hard surfaces or at the surface of water. The pellet may bounce off and hit someone or something you had not intended to hit.

The rifle is correctly aimed when the front sight blade is positioned exactly in the notch of the rear sight. The top of the front sight blade should be even with the top of the notch in the rear sight. The bullseye should appear to rest on the top of the front sight. (Fig. 7)



#### B. Sight Adjustment

The rear sight may be adjusted to shoot higher or lower (elevation). Move the rear sight elevator back to make the pellet hit higher on the target. Move the rear sight elevator forward to make the



pellet hit lower on the target. When moving the elevator, slightly lift the rear sight and reset it on the desired notch in the elevator. (Fig. 8)

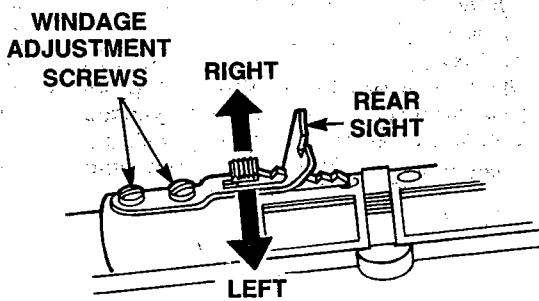


FIG. 9

The rear sight may also be adjusted to shoot right or left (windage). Loosen the windage adjustment screws by turning counterclockwise. Move the sight to the right to make the pellet hit to the right on the target. Move the sight to the left to make the pellet hit to the left on the target. Then tighten the windage adjustment screws by turning them clockwise. (Fig. 9)

9

**Step 7. Removing a Jammed Pellet**

- A. Don't reload.
- B. Put the rifle "On Safe". (See Step 2)
- C. Remove CO<sub>2</sub> cylinder from rifle. (See Step 3)
- D. Open the pellet loader, turn the rifle upside down, insert a rod or straightened clothes hanger into the barrel, push the jammed pellet into the breech and remove it. (Fig. 10) Don't try to reuse a pellet again.
- E. Look in the pellet loader. If there is a pellet or any part of a pellet in the loader, gently push it out with a blunt device such as a ballpoint pen.
- F. If for some reason you are unable to unjam your rifle, a Crosman Authorized Service Center will unjam it for you free of charge during your warranty period.

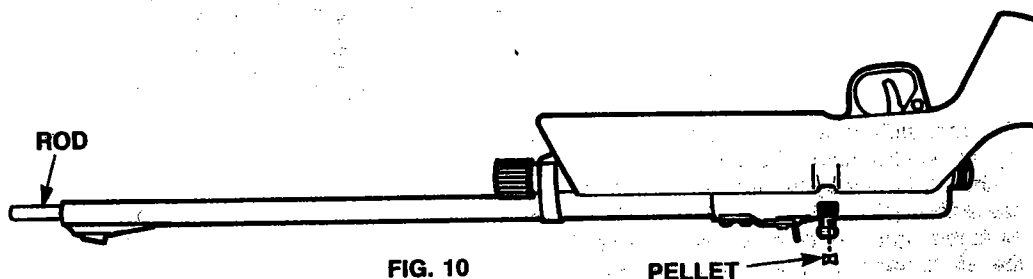


FIG. 10

## Step 8. Maintaining Your Rifle

Trouble Shooting Guide

PROBLEMS	REASONS									
	CO <sub>2</sub> cylinder low or empty	Safety in on position	Barrel Plugged	CO <sub>2</sub> cylinder not fully pierced	Temperature below recommended level	Defective or improper ammunition	Ammunition not in load position	Gun fired beyond recommended number of shots	Gun not cocked	Pellet loaded backwards
INACCURACY	●			●	●	●		●		●
BARREL PLUGGED	●				●	●		●		●
GUN LEAKS					●					
LOW POWER	●			●	●	●		●		●
GUN FAILS TO SHOOT	●	●	●	●	●	●	●	●	●	●

12

Your rifle will work best if you oil it every 250 shots. Put 2 or 3 drops of Crosman Pellgunoil® (available for order through Crosman Accessories Catalog) on the trigger, the cocking knob, and on the threads of the piercing tube cap. A little oil on the barrel helps prevent rust. Pellgunoil is best, but any light household oil is better than none. Don't over-oil. This can cause damage to your rifle. (Fig. 11)

Tampering with the gun or attempts to change

the gun in any way make it unsafe to use. If you drop your gun, check to see that it works properly before you use it again. If anything seems changed, like a shorter or weaker trigger pull, this may mean worn out or broken parts. Don't use it again until you've had it checked by an Authorized Service Station (A list of Service Stations is in the box with the Rifle.)

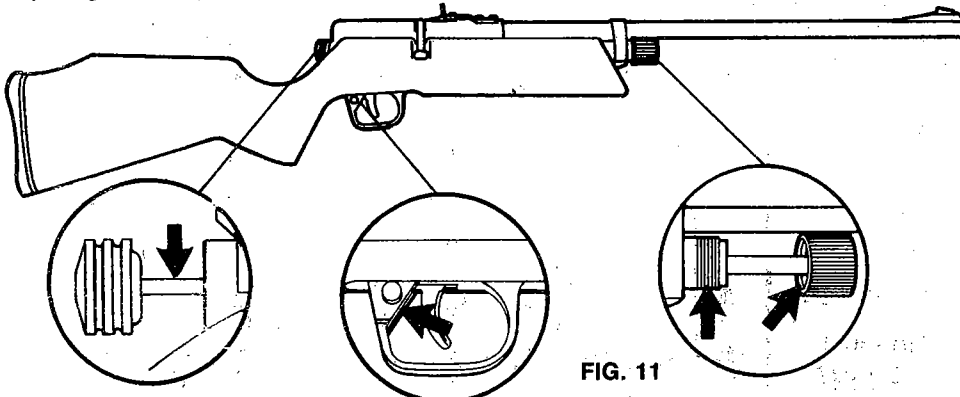


FIG. 11

### **Step 9. Reviewing Safety**

- Always treat your rifle as though it were loaded. Don't point at anything you don't intend to shoot. Always aim in a SAFE DIRECTION.
- Always keep rifle on safe until you are ready to shoot in a SAFE DIRECTION.
- Always wear shooting glasses to protect your eyes.
- Keep hands away from escaping CO<sub>2</sub> gas. It can cause frostbite if allowed to come in contact with skin.
- Stop using a backstop if it becomes worn. Place backstop in a location that will be safe should the backstop fail.
- Never reuse ammunition. Use .177 caliber pellets only.
- Don't shoot at hard surfaces such as metal or water. The pellet may bounce off or ricochet and hit someone or something you had not intended to hit.
- Do not attempt to disassemble or tamper with your gun. Use a competent repairman.
- Always check to see if the rifle is on safe and unloaded when getting it from another person or from storage.
- Don't put the rifle away loaded. (See Step 4B).

### **Step 10. Using and Enjoying Your Rifle**

Now that you have studied your owner's manual and understand how to use your rifle properly, you are ready to begin your shooting enjoyment. Follow these shooting tips for fun and safe shooting.

#### **Choosing Targets**

Always choose your targets carefully. It is best to shoot at paper bullseye targets which are attached to a safe backstop such as the Crosman Target Trap. A heavy blanket should be hung behind the target trap to prevent ricochet or pellets bouncing off should you miss the backstop. It is also best to wear shooting glasses to protect your eyes.

Don't shoot at hard surfaces or at the surface of water. The pellet may bounce off and hit someone or something you had not intended to hit.

Your backstop should be checked for wear before and after each use. Stop using any backstop if the surface is worn or damaged or if the pellet bounces off or ricochets.

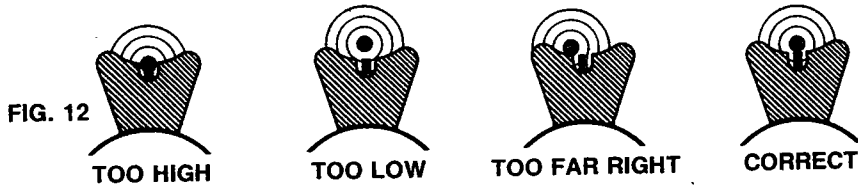
Your airgun is designed for target shooting and is suited for both indoor and outdoor use. Always remember to place your target carefully. THINK what you will hit if you miss the target!



## Shooting

We talked earlier about aiming your rifle and sight adjustment (Step 6). The next step is putting the sights together with the target. This is known as sight picture.

A correct sight picture has the bullseye directly centered on top of the front sight with both sights correctly aligned. (Fig. 12)



Now with the sights and target in the proper position, you are ready to squeeze the trigger.

A trigger must be squeezed smoothly to keep the sights aligned and on the target as the gun fires.

## Shooting Games

Competing with friends and holding informal shooting matches can make airgun ownership more fun and exciting. Crosman silhouette targets will help make your neighborhood matches the most popular around.

REMEMBER... shooters are made, not born. Know the basics of safe shooting.

16

15

## SPECIFICATIONS:

Mechanism:	Single Shot CO <sub>2</sub>
Caliber:	.177 cal. (4.5 mm) Lead Airgun Pellet ■
Capacity:	Single Shot
Weight:	4 lb., 14 oz.
Length:	38 1/4"
Sights: Rear	Fully adjustable for windage and elevation
Front	fixed blade
Barrel:	steel rifled
Power Source:	CO <sub>2</sub> Powerlet® 12 gram small neck type

**PERFORMANCE** depends on the brand of ammunition and how well you maintain your airgun.

Projectile	Weight	Muzzle Velocity
.177 Pellet	7.9 gr.	625 FPS

Average Shots CO<sub>2</sub> Powerlet®

35

## REPAIR SERVICE

If your gun needs repair, we recommend you take or send it to your nearest Crosman Authorized Service Center, (list of service centers in box with gun). Your gun requires special tools and fixtures to repair it. If you take it apart, you probably will not be able to reassemble it correctly. Crosman assumes no warranty responsibility in this case.

## A SPECIAL CUSTOMER SERVICE

Crosman Authorized Service Stations will unjam your rifle at no cost during the warranty period.

**NOTE:** operating the rifle at below 70°F will decrease the number of effective shots. The reverse is true for operating above 70°F.

Initial velocity listed may exceed average velocity up to 15%.

Many factors affect velocity, including brand of projectile, oiling of the gun, barrel condition and temperature.

## LIMITED ONE YEAR WARRANTY

This product is warranted to the retail consumer for one year from date of retail purchase against defects in material and workmanship and is transferable. To register the serial number of your gun, please return the Airgun registration form. The warranty is not conditioned on the return of the card.

### WHAT IS COVERED

Replacement parts and labor. Transportation charges to consumer for repaired product.

### WHAT IS NOT COVERED

Transportation charges to Crosman for defective product. Damages caused by abuse or failure to perform normal maintenance — see Owner's Manual. Sales outside of the United States. Any other expense. CONSEQUENTIAL DAMAGES, INCIDENTAL DAMAGES, OR INCIDENTAL EXPENSES, INCLUDING DAMAGE TO PROPERTY. SOME STATES DO NOT ALLOW THE EXCLUSION OR LIMITATION OF INCIDENTAL OR CONSEQUENTIAL DAMAGES, SO THE ABOVE LIMITATION OR EXCLUSION MAY NOT APPLY TO YOU.

### HOW TO OBTAIN WARRANTY PERFORMANCE

Locate nearest Crosman Service Center on list with Product or in phone book. Attach to Product your name, address, description of problem, phone number and proof of date of retail purchase (sales slip). Package and return Product to Crosman Service Center, transportation charges prepaid.

### IMPLIED WARRANTIES

ANY IMPLIED WARRANTIES, INCLUDING THE IMPLIED WARRANTIES OF MERCHANTABILITY AND FITNESS FOR A PARTICULAR PURPOSE, ARE LIMITED IN DURATION TO ONE YEAR FROM DATE OF RETAIL PURCHASE. SOME STATES DO NOT ALLOW LIMITATIONS ON HOW LONG AN IMPLIED WARRANTY LASTS, SO THE ABOVE LIMITATIONS MAY NOT APPLY TO YOU.

To the extent any provision of this warranty is prohibited by federal, state, or municipal law which cannot be preempted, it shall not be applicable. This warranty gives you specific legal rights, and you may also have other rights which vary from state to state.