

- 118 -
CROSMAN CO₂ REPEATING GAS RIFLE

1. TO CHARGE RIFLE WITH CO₂

- a. Cock rifle AND LEAVE BOLT HANDLE IN FULL OPEN POSITION. (Pull up and back on bolt handle until trigger sets with audible click. (See Fig. 1))
- b. Put safety on. (Push red end in, black end showing.)
- c. Remove filling head screw plug, set butt of rifle on floor or ground, and screw CO₂ Power Cylinder into filling head snugly.
- d. Holding cylinder hand wheel and muzzle of rifle in one hand as in Fig. 2 turn cylinder body with other hand until it stops. Valve will then be fully open. Transfer of CO₂ takes place in just a few seconds and automatically stops when pressure is equal between rifle and cylinder. (See Fig. 2)
- e. Close cylinder valve tightly, turning cylinder clockwise. USING THE HANDWHEEL, unscrew cylinder from rifle. Light blow-off of CO₂ as cylinder is removed is normal escape of excess.
- f. Replace filling head screw plug.
- g. Continue to leave bolt handle in full open position until you have followed instructions in steps 3 and 4.

2. TO LOAD CLIP

- a. Remove empty clip from magazine by pulling straight back.
- b. Advance collar on clip tube until it clears retainer spring catch. (See Fig. 3A)
- c. Compress pell feed spring in clip, pushing plunger with rod until guide pin engages spring catch and is held in position. (See Fig. 3B)
- d. Inserting open-end first into clip, load clip with Crosman Super Pellets. Always load clip to capacity (10 pellets). Magazine of rifle is designed for Crosman Super Pellets only. .22 caliber and use of any other make pellet will cause feed mechanism to jam. (See Fig. 3C)

3. TO INSERT LOADED CLIP IN RIFLE MAGAZINE

- a. Rifle must be cocked, with bolt handle in full open position. (See step 1-a under "To Charge Rifle with CO₂".) (See Fig. 1)
- b. Put safety on. (Red end pushed in, black end showing.)
- c. Hold rifle with muzzle end elevated so that as loaded clip is inserted, pellets will not tumble out of clip into magazine. Insert loaded clip, and push forward firmly until clip snaps into its seat. (Jamming may result if muzzle of rifle is not higher than breech in this operation.)
- d. Continue to leave bolt handle in full open position until you have followed instructions in step 4.

4. TO SHOOT

- a. Push safety off.
- b. Hold bolt handle in its full open position with one hand and depress trigger with other. Slowly lower bolt handle into closed position BY HAND. (This uncocks rifle.)

NOTE: A device to prevent double loading automatically locks bolt as soon as it is closed after cocking. Rifle must be fired or uncocked before bolt can be worked again.



Fig. 3C



Fig. 3B



Fig. 3A

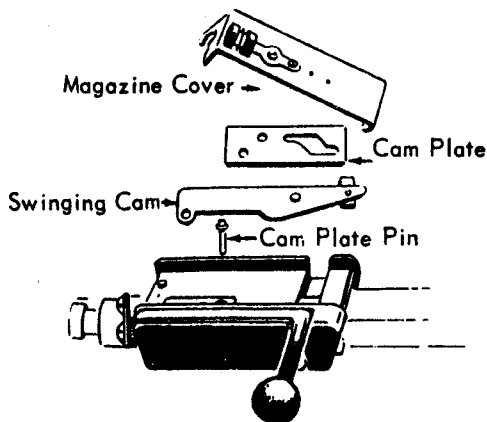


Fig. 5

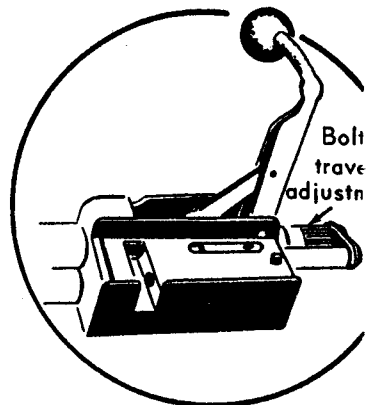


Fig. 4

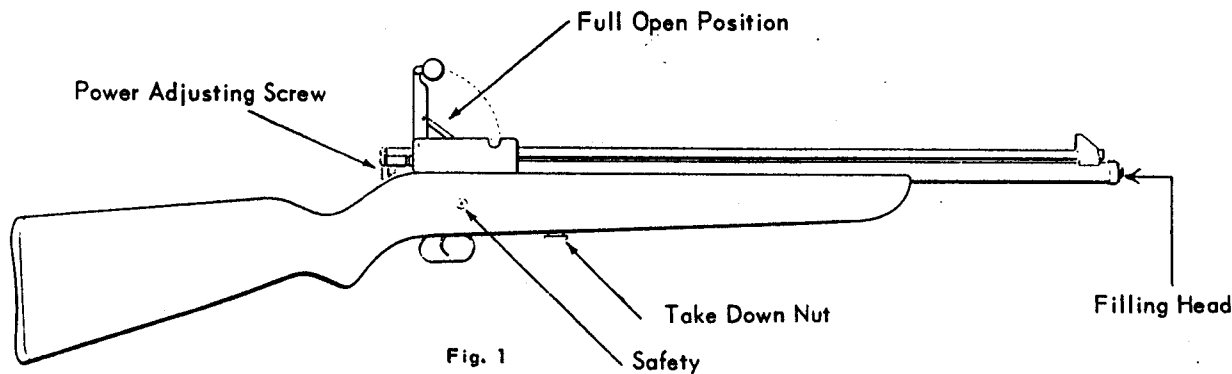


Fig. 1



Fig. 2

- Now, cock rifle, drawing up and back on bolt handle until trigger sets with audible click, CLOSE BOLT, and pellet will automatically move into firing position from magazine.
- When conditions are safe, take aim, and shoot!
 - Repeat until clip is empty.

CARE OF THE CROSMAN REPEATING GAS RIFLE

- Keep rifle and power cylinder from extreme heat. CO₂ gas expands with increased temperature, raising pressure in its container. As a precaution against excessive pressures, both the rifle and the power cylinder are equipped with approved safety devices.
- Use a good grade of light machine oil on all external moving parts. Magazine may be opened for service by removing the clip tube, and raising cover, lifting back end first. Internal parts may be lifted out by hand. Oil sliding parts thus exposed. Also, lift cam-plate pin, and put several drops of oil through pin hole to oil hammer mechanism. (See Fig. 5). At intervals of 500 shots, apply 2 or 3 drops of oil to filling head before attaching power cylinder to charge. DO NOT USE PENETRATING OIL.
- Keep gun clean. Do not let dirt or foreign matter get into filling head as it will be blown into gun when charging, and damage valve action. Always replace filling head screw plug.
- Valve efficiency will be maintained at its best if gun is stored with pressure.

CROSMAN SUPER PELL AMMUNITION

As stated in operating instructions, the magazine of this rifle will work only with Crosman Super Pellets, .22 caliber. Use of other makes of pellets will cause jamming.

Crosman Super Pellets are made of soft virgin lead. They are purposely designed to flatten on impact, purposely designed with a blunt nose, and of light weight, hollow construction to minimize penetration, yet they are very effective against small game, and in target shooting, a 3/8" plywood backstop will stop stray shots.

Crosman Super Pellets are available at dealers everywhere, and are packed in 250 and 500 quantity containers.

CROSMAN CO₂ GAS REPEATING RIFLE FEATURES

- Precision rifling with 6 lands and grooves, one twist in 16".
- Quick take-down magazine requiring no tools.
- Detachable clip, with positive pellet feed.
- Special long wearing materials and large bearing surfaces in magazine.
- Power adjustment screw provides any range from low to full power.
- Adjustable rear sights. Equipped with peep sight. Extra open sight packed with rifle.
- Positive push-type safety. Red shows when safety is "off".
- Automatic bolt lock prevents double loading.
- Effective for small game, pests, etc., up to about 60 yards.
- Know your gun and ammunition.

THE CO₂ POWER CYLINDER

The Crosman CO₂ Power Cylinder is refillable. Most dealers carry extra cylinders for exchange sale. A list of Authorized Refill Stations is packed with every CO₂ gun. In addition to these, most fire extinguisher service houses can refill it. Refer to your local telephone directory under classified listing for "Fire Extinguishers".

Your Crosman CO₂ Rifle operates on liquid CO₂. The power cylinder is filled by weight with 10 ounces of liquid CO₂. When fully charged it is 2/3 full of liquid. Lay the cylinder lengthwise in your hand, and tip it slightly one way and then the other. You will feel the liquid roll back and forth much the same as mercury would do. To test your cylinder (other than weighing it) to determine if it still has liquid content, hold it with the valve end down, and open the valve slightly. If the escaping CO₂ is white and snowy, there is still usable liquid. If it is colorless, or nearly so, the liquid has been used up. Have your cylinder refilled, or exchanged.

The first four recharges out of a fresh cylinder will provide about 70 shots each at full power shooting. Subsequent chargings will give less shots per charge, but in total, you will receive at least 500 shots with your rifle, shooting at full power, more if you reduce the power adjustment.

CO₂ does not deteriorate in storage. As long as the valve is tightly closed on the power cylinder, and there is no leakage, the contents of the cylinder will store indefinitely.

Purchase of an extra or "spare" cylinder will protect against running out of CO₂ unexpectedly. You can use the spare and keep on shooting.

Used with a high pressure hose, the CO₂ Power Cylinder is an excellent tire inflator, may be used to inflate plastic wading pools, footballs, etc.

NOTE: CO₂ is the chemical symbol for Carbon Dioxide, a colorless, odorless, non-toxic gas. In gas form, it is used in carbonated water and beverages, and when compressed to a solid form, you know it as dry ice.

SHOOTING SAFELY

Crosman CO₂ rifles and pistols are not toys. Like any device that forcibly expels a projectile, if carelessly or improperly used, they can cause bodily injury or property damage. Younger folks should use them only under adult supervision until they have been grounded in the safe handling of guns.

ALWAYS FOLLOW THESE SIMPLE SAFETY RULES

(Gun accidents do not happen, . . . they are caused.)

- Treat every gun as if it were a loaded gun until you have personally proven otherwise.
- Never point a gun at anybody. Keep the muzzle pointed in a safe direction at all times.
- Know your target and be sure of your backstop.
- Know your gun and ammunition.