



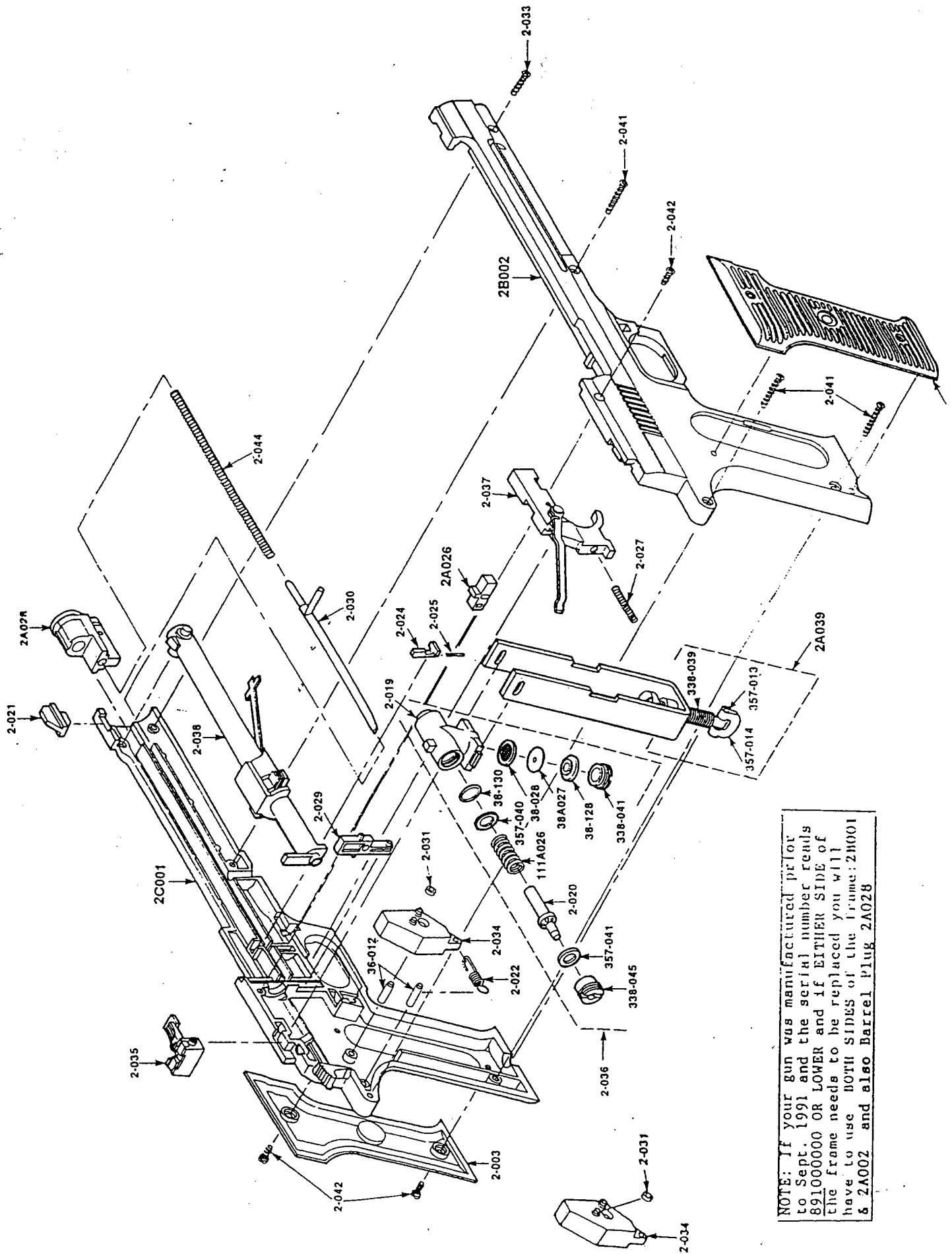
EXPLODED VIEW PARTS AND PRICE LIST

MODEL AAII PHASE I

CROSMAN CORPORATION
RT 5 & 20
EAST BLOOMFIELD, NY 14443

Phone: 1-800-724-7486
Parts Order Fax: 585-657-5405

CAAII EVP1



NOTE: If your gun was manufactured prior to Sept. 1991 and the serial number reads 89100000 OR LOWER and if EITHER SIDE of the frame needs to be replaced you will have to use BOTH SIDES of the frame: 2A001 & 2A002 and also Barrel plug 2A028

MODEL AA II
PARTS AND PRICE LIST
PHASE I (both variants)
MANUFACTURED 1991 to 2000

PART NO.	QTY	PART NAME	COST	
11292	1	R.H. FRAME (BLACK)	\$2.87	start 1/97
11293	1	L.H. FRAME (BLACK)	\$2.87	start 1/97
11295	1	BARREL PLUG (BLACK)	\$.54	start 1/97
11296	1	BARREL ASSY (BLACK)	\$5.00	start 1/97
111A026	1	SPRING	\$1.00	
2-003	1	L.H.GRIP	\$1.00	
2-019	1	VALVE BODY	\$2.10	
2-020	1	VALVE STEM	\$3.06	
2-021	1	FRONT SIGHT	\$.85	
2-022	1	HAMMER SPRING	\$1.00	
2-024	1	BARREL INTERLOCK (use 972-008)	*	
2-025	1	INTERLOCK SPRING	\$1.00	
2-027	1	TRIGGER RETURN SPRING	\$1.00	
2-029	1	LOADER	\$1.00	
2-030	1	BB PUSHER	\$.52	
2-031	1	HAMMER PIN ROLLER	\$1.00	
2-033	1	FRAME SCREW	\$1.00	
2-034	1	HAMMER ASSY	\$2.58	
2-035	1	REAR SIGHT ASSY(use 357-012)	*	
2-036	1	VALVE ASSY (use 2B036)	*	
2-037	1	TRIGGER ASSY	\$2.45	
2-038	1	BARREL HOUSING ASSY (GRAY)	\$5.17	
2-040	1	R.H. GRIP ASSY	\$1.07	
2-041	3	FRAME SCREW	\$1.00	
2-042	3	GRIP SCREW	\$1.00	
2-044	1	BB PUSHER SPRING	\$1.00	
2A026	1	SAFETY	\$1.18	
2A028	1	BARREL PLUG (GRAY)	\$.55	
2A039	1	PIERCING ASSY	\$3.53	
2B002	1	R.H. FRAME(GRAY)	\$3.07	
2B036	1	VALVE ASSY (not shown)	\$15.38	
2C001	1	L.H. FRAME (GRAY)	\$3.07	
338-039	1	PIERCING SCREW	\$.70	
338-041	1	GUIDE COLLAR	\$1.00	
338-045	1	VALVE SEAL RETAINER	\$1.00	
357-012	1	REAR SIGHT ASSY	\$2.03	
972-008	1	INTERLOCK	\$1.00	

PRICES ARE IN U.S. DOLLARS

MODEL AA 11
PARTS AND PRICE LIST
PHASE I (both variants)
MANUFACTURED 1991 to 2000

PART NO.	QTY	PART NAME	COST
357-013	1	PIERCING LEVER PIN	\$1.00
357-014	1	PIERCING LEVER	\$1.00
357-040	1	VALVE WASHER	\$1.00
357-041	1	VALVE SEAL	\$1.00
36-012	1	PIVOT PIN	\$1.00
38-028	1	SCREEN	\$1.00
38-128	1	END SEAL	\$.78
38-130	1	VALVE SEAL	\$.96
38A027	1	PIERCING PIN	\$.56

THIS PARTS AND PRICE LIST IS INTENDED TO BE AN INFORMATIONAL GUIDE IN ORDERING CROSMAN PARTS. IT IS NOT INSTRUCTIONAL MATERIAL AN WE THEREFORE ASSUME NO RESPONSIBILITY FOR THOSE WHO USE SAME WITHOUT PROPER FACTORY TRAINING.

PRICES AND PARTS ARE SUBJECT TO CHANGE WITHOUT NOTICE

PLEASE ORDER BY PART NUMBER AND DESCRIPTION

CHECK OR MONEY ORDER FOR THE TOTAL PRICE MUST ACCOMPANY THE ORDER

* NOT AVAILABLE

UPDATED 10/01

PRICES ARE IN U.S.DOLLARS