

3357 Spot Marker OWNER'S MANUAL

**READ ALL INSTRUCTIONS
AND WARNINGS IN THIS MANUAL
BEFORE USING THIS AIRGUN**



CAUTION: NOT A TOY. FOR ADULT USE ONLY. MISUSE OR CARELESS USE MAY RESULT IN SERIOUS INJURY OR DEATH. MAY BE DANGEROUS UP TO 375 YARDS.

READ ALL INSTRUCTIONS BEFORE USING.

BUYER AND USER HAVE THE DUTY TO OBEY ALL LAWS ABOUT THE USE AND OWNERSHIP OF THIS AIRGUN.

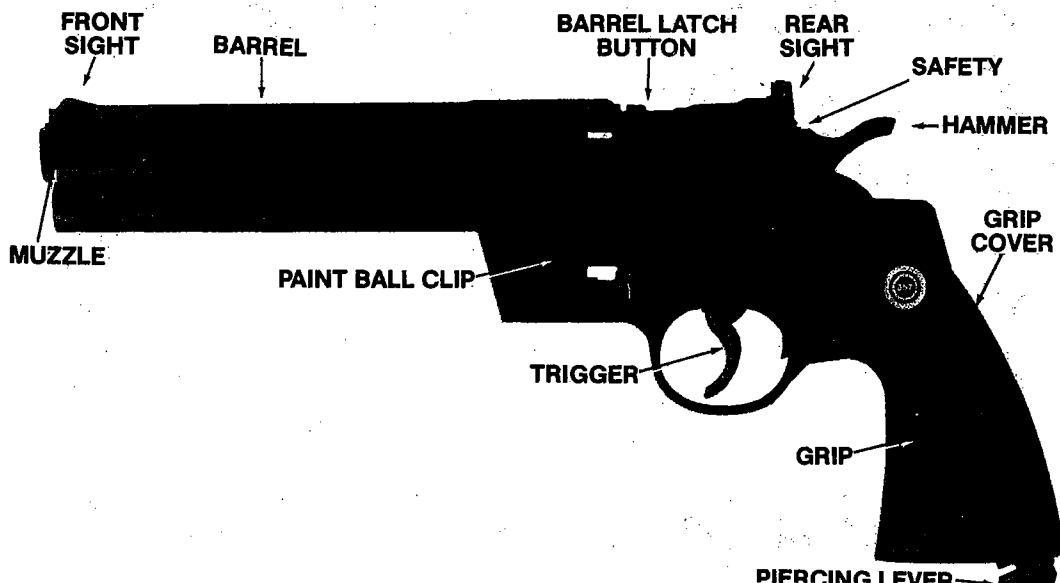
CAUTION: IF YOU CHOOSE TO USE THE CROSMAN 3357 SPOT MARKER FOR SURVIVAL OR SELF DEFENSE TRAINING OR GAMES, MAKE SURE YOU ARE FULLY AWARE OF THE FOLLOWING:

- You can be injured if hit with a paint ball fired from the 3357 Spot Marker.
- The injury can be serious or even fatal, particularly if hit in the eye, ear, nose, throat or temple. Protective devices must be used for these areas.
- Crosman Airguns assumes no responsibility whatsoever regardless of nature, for personal injury or property damage.

2

MODEL 3357 SPOT MARKER

.50 Caliber Co₂ Powered Paint Ball Revolver



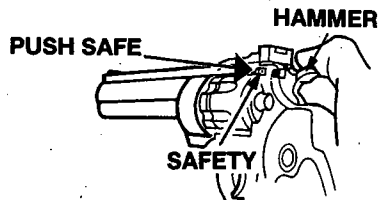
STEPS FOR SAFE SHOOTING

	PAGE
STEP 1. Putting the Revolver "On Safe"	5
STEP 2. Making Sure the Revolver is Not Loaded	6
STEP 3. Removing and Installing CO ₂ Cylinder	7-8
STEP 4. Loading and Unloading Revolver	9-10
STEP 5. Adjusting the Sights	11
STEP 6. Aiming and Firing Safely	12
STEP 7. Removing a Broken Paint Ball	13
STEP 8. Maintaining Your Revolver	14
STEP 9. Reviewing Safety	15

4

STEP 1. Putting Revolver "On Safe"

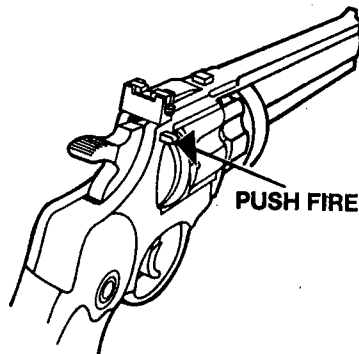
- A. Locate safety below rear sight, Fig. 1. Pull the hammer back slightly and with your other hand push safety in from the left side of revolver. Gently release the hammer.



CAUTION: ALWAYS PUSH THE SAFETY ALL THE WAY IN. THE SAFETY IS NOT "ON SAFE" UNLESS THE RED MARK IS ALL THE WAY INSIDE THE FRAME OF THE REVOLVER.

FIG. 1

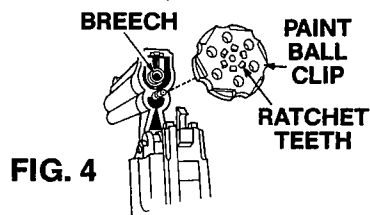
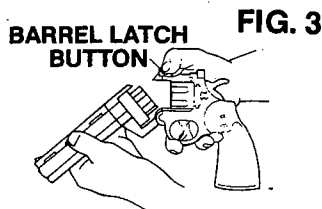
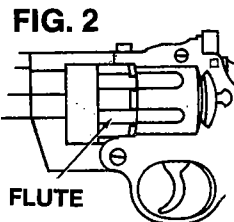
- B. Even when the safety is "On Safe" you should continue to handle the revolver safely. Don't point the gun at anything you don't intend to shoot.
- C. To take revolver "Off Safe" push safety in from the right side.



NOTE: With revolver "On Safe" the hammer and trigger will still operate, but CO₂ cannot be released and a paint ball cannot be fired. Always keep gun "On Safe" until you are ready to shoot in a safe direction.

STEP 2. Making Sure the Revolver is Not Loaded

- A. Put revolver "On Safe". (See Step 1)
- B. In order to break the action open you must line one of the flutes in the clip up with the flute in the receiver. (Fig. 2.)
- C. After you have properly lined up the clip, press the barrel latch button down and open the barrel. (Fig. 3.)
- D. First, remove the paint ball clip and check each chamber. Then check to make sure the barrel is clear by pointing the revolver muzzle toward a light background and looking through the breech.
- E. Replace the paint ball clip (ratchet teeth up) on barrel. Line up one of the flutes in the clip with the flute in the receiver and close the barrel. Make sure the barrel latch has locked.
- F. Don't pinch your hand or fingers when closing the barrel.



6

STEP 3. Removing and Installing CO₂ Cylinder

Removing CO₂ Cylinder

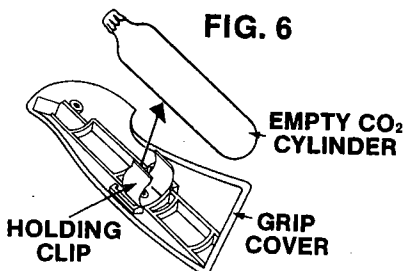
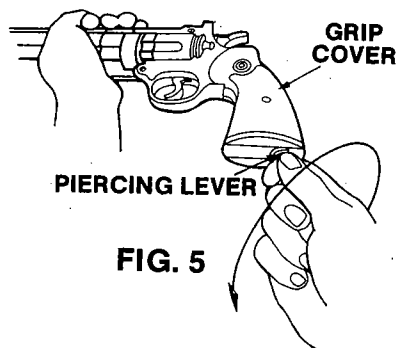
- A. Put revolver "On Safe". (See Step 1)
- B. Make sure revolver is not loaded. (See Step 2)

CAUTION: KEEP HANDS AWAY FROM ESCAPING CO₂ GAS. IT CAN CAUSE FROST-BITE IF ALLOWED TO COME IN CONTACT WITH SKIN.

- C. With one hand hold the revolver by the barrel. With the other hand turn piercing lever counterclockwise until it stops turning. (Fig. 5.)
- D. Remove the grip cover from the left side of revolver lifting from the bottom edge. This will remove CO₂ Cylinder. Slide empty CO₂ Cylinder from holding clip. (Fig. 6.)

Installing New CO₂ Cylinder

- A. Insert the new CO₂ Cylinder into the revolver with the small neck of the cylinder pointing toward the hammer. (Fig. 7.)



- B. Snap the grip cover into place.
- C. With thumb and finger, turn piercing lever clockwise to pierce CO₂ Cylinder. (Fig. 8.)
- D. Point the empty revolver in safe direction, take revolver "Off Safe", cock and fire. If revolver does not fire, tighten the piercing lever a little more and try to fire again. Repeat until the gun will fire.
- E. Return safety to "On Safe" position. (See Step 1)
- F. Never use any tool on piercing lever. Over-tightening can cause injury to you or damage your revolver.
- G. Note: Some brands of CO₂ Cylinders may not work because the top of the Cylinder is made too large or too small. Don't try to force the cylinder into place or you may damage your revolver. Crosman Copperhead CO₂ Powerlets® are made to fit the Model 3357. Other brands may be made differently.

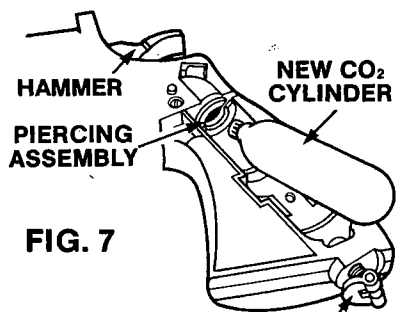


FIG. 7

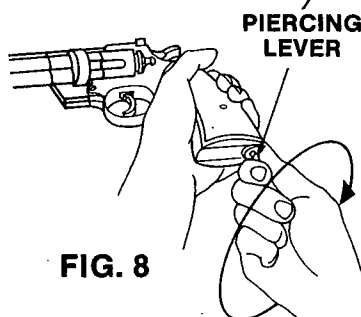


FIG. 8

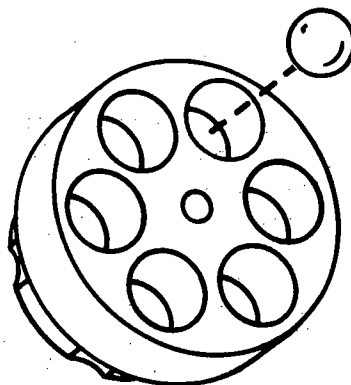
8

STEP 4. Loading and Unloading Revolver

To Load Paint Balls

- A. Put revolver "On Safe". (See Step 1)
- B. Break the action open. (See Step 2)
- C. Make sure the revolver is empty before reloading.
- D. Place a .50 caliber paint ball in each of the chambers. (Fig. 9.)
- E. Replace the paint ball clip (ratchet teeth up), and close the barrel. Line up one of the flutes in the clip with the flute in the receiver and close the barrel. Make sure the barrel latch has locked.

FIG. 9



To Unload Paint Balls

- A. Put revolver "On Safe". (See Step 1)
- B. Break the action open. (See Step 2)
- C. Remove paint ball clip. Using a ramrod or other similar tool, gently push out each paint ball. **IMPORTANT:** Never use sharp metal tools to remove paint balls.
- D. Check the barrel to be sure the revolver is completely unloaded. (See Step 2)
- E. Replace paint ball clip on barrel (ratchet teeth up). Line up one of the flutes in the clip with the flute in the receiver and close the barrel. Make sure the barrel latch has locked.

CAUTION: USE PAINT BALLS ONLY AS AMMUNITION. DO NOT USE ANY OTHER TYPE OF PROJECTILE.

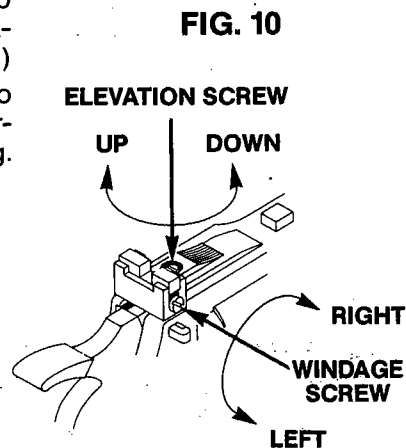
10

STEP 5. Adjusting the Sights

Move the rear sight in the same direction you want the paint ball to hit on the target.

Elevation Adjustment: Turn screw clockwise to move the point of impact up and counterclockwise to move the point of impact down. (Fig. 10.)

Windage Adjustment: Turn screw clockwise to move point of impact to the right and counterclockwise to move point of impact to the left. (Fig. 10.)



STEP 6. Aiming and Firing Safely

Always aim your revolver in a SAFE DIRECTION. When you are sure of your target and the area around the target is clear, take the revolver "Off Safe" (see Step 1). Squeeze the trigger to fire double action, or cock the hammer and squeeze the trigger to fire single action.

The paint ball may bounce off or ricochet if shot at hard surfaces. It is best to wear shooting glasses to protect your eyes.

Always check to see if the revolver is "On Safe" (Step 1) and unloaded (Step 2) when getting it from another person or from storage. Don't put the revolver away loaded.

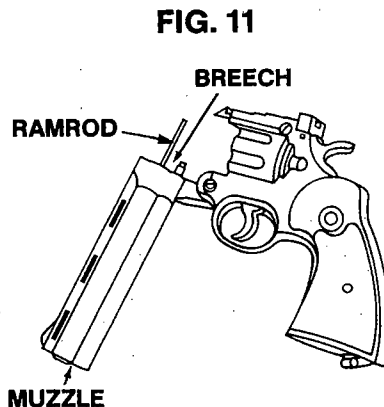
CAUTION: IF THIS PRODUCT IS USED IN A SURVIVAL GAME® OR OTHER LIKE GAME SITUATION, DO NOT AIM AT THE OPPOSING TEAM MEMBER'S FACE OR ANY PORTION OF HIS HEAD. SERIOUS INJURY MAY RESULT.

* Survival Game is a registered trademark of National Survival Game, Inc.

12

STEP 7. Removing a Broken Paint Ball

- A. Put revolver "On Safe." (See Step 1)
- B. Break the action open. (See Step 2)
- C. Remove the paint ball clip. Clean paint ball residue out of the clip.
- D. Using a ramrod and patch, clean the barrel by pushing the patch through from the breech to the muzzle. DO NOT RUN THE PATCH THROUGH FROM THE MUZZLE TO THE BREECH. DO NOT PULL THE PATCH BACK THROUGH THE BARREL.



STEP 8. Maintaining Your Revolver

Your revolver will work best if you oil it every 250 shots. Put 2 to 3 drops of Crosman Pellgunoil® at points shown in Fig. 12.

Tampering with your revolver or attempts to change the gun in any way make it unsafe to use. If you drop your gun, check it to see that it works properly before you use it again. If anything seems changed, like a shorter or weaker trigger pull, this may mean worn out or broken parts. Don't use again until you've had it checked by the Crosman Airguns Service Department, Routes 5 & 20, East Bloomfield, N.Y. 14443.

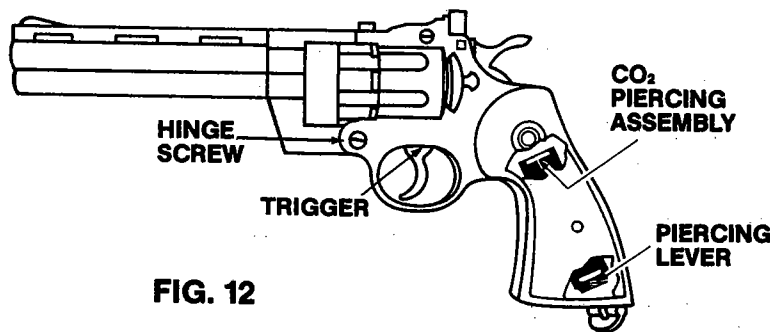


FIG. 12

14

STEP 9. Reviewing Safety

- Always push the safety all the way in. The safety is not "On Safe" unless the red mark is all the way inside the frame of the revolver.
- Don't point at anything you don't intend to shoot. Always aim in a SAFE DIRECTION.
- Don't pinch hand or fingers when closing barrel.
- Keep hands away from escaping CO₂ gas. It can cause frostbite if allowed to come in contact with skin.
- Never use any tool on Powerlet piercing lever. Overtightening can cause injury to you.
- Use paint balls only as ammunition. Do not use any other type of ammunition.
- The paint ball may bounce off or ricochet if shot at hard surfaces. It is best to wear shooting glasses to protect your eyes.
- Always keep gun "On Safe" until you are ready to shoot in a safe direction.
- Do not disassemble or tamper with your gun. Send it to Crosman Airguns for service.
- Always check to see if the revolver is "On Safe" and unloaded when getting it from another person or from storage. Don't put the revolver away loaded.
- Always handle your revolver as though it were loaded.

SPECIFICATIONS

Mechanism:	Double or single action
Caliber:	.50 caliber
Ammunition:	paint balls
Overall Length:	11 $\frac{3}{4}$ "
Sights:	Fixed front blade Adjustable rear sight for windage and elevation
Barrel:	Smoothbore
Power Source:	CO ₂
Safety:	Hammer block safety

REPAIR SERVICE

If your gun needs repair, send it to Crosman Airguns Service Department, Routes 5 & 20, East Bloomfield, N.Y. 14443. Your gun requires special tools and fixtures to repair it. If you take it apart, you probably will not be able to reassemble it correctly. Crosman assumes no warranty responsibility in this case.

10

20 8/2

LIMITED 90 DAY WARRANTY

This product is warranted to the retail consumer for 90 days from date of retail purchase against defects in material and workmanship and is transferable. To register the serial number of your gun, please return the Airgun registration form. The warranty is not conditioned on the return of the card.

WHAT IS COVERED

Replacement parts and labor. Transportation charges to consumer for repaired product.

WHAT IS NOT COVERED

Transportation charges to Crosman for defective product. Damages caused by abuse or failure to perform normal maintenance — see Owner's Manual. Sales outside of the United States. Any other expense. CONSEQUENTIAL DAMAGES, INCIDENTAL DAMAGES, OR INCIDENTAL EXPENSES, INCLUDING DAMAGE TO PROPERTY. SOME STATES DO NOT ALLOW THE EXCLUSION OR LIMITATION OF INCIDENTAL OR CONSEQUENTIAL DAMAGES, SO THE ABOVE LIMITATION OR EXCLUSION MAY NOT APPLY TO YOU.

HOW TO OBTAIN WARRANTY PERFORMANCE

Attach to product your name, address, description of problem, phone number and proof of date of retail purchase (sales slip). Package and return Product to Crosman Airguns, Rts. 5 & 20, East Bloomfield, N.Y. 14443.

IMPLIED WARRANTIES

ANY IMPLIED WARRANTIES, INCLUDING THE IMPLIED WARRANTIES OF MERCHANTABILITY AND FITNESS FOR A PARTICULAR PURPOSE, ARE LIMITED IN DURATION TO ONE YEAR FROM DATE OF RETAIL PURCHASE. SOME STATES DO NOT ALLOW LIMITATIONS ON HOW LONG AN IMPLIED WARRANTY LASTS, SO THE ABOVE LIMITATIONS MAY NOT APPLY TO YOU.

To the extent any provision of this warranty is prohibited by federal, state, or municipal law which cannot be preempted, it shall not be applicable. This warranty gives you specific legal rights, and you may also have other rights which vary from state to state.