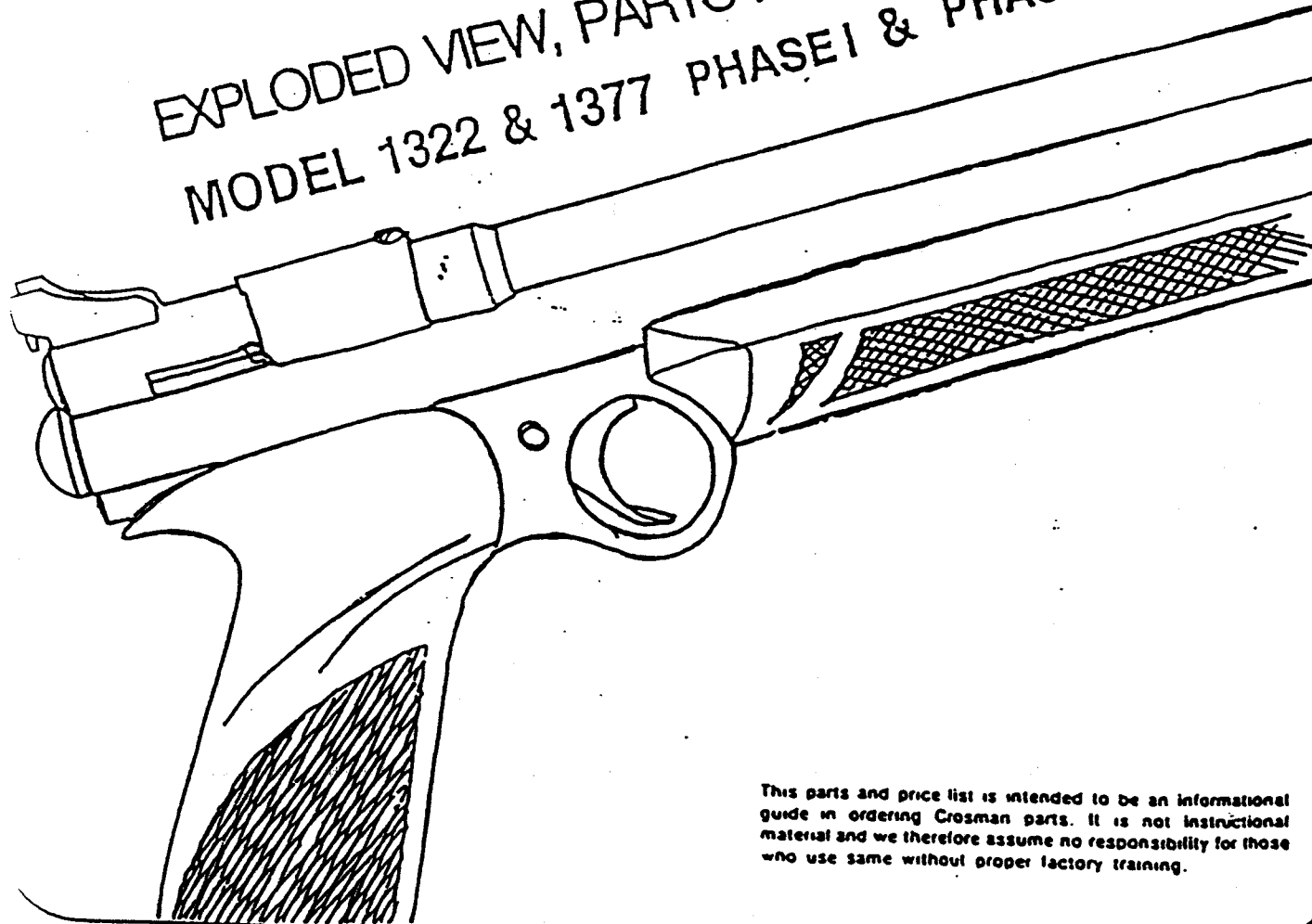


Crosman® AIRGUNS



Manufacturing Date 1977

EXPLODED VIEW, PARTS AND PRICE LIST
MODEL 1322 & 1377 PHASE I & PHASE II



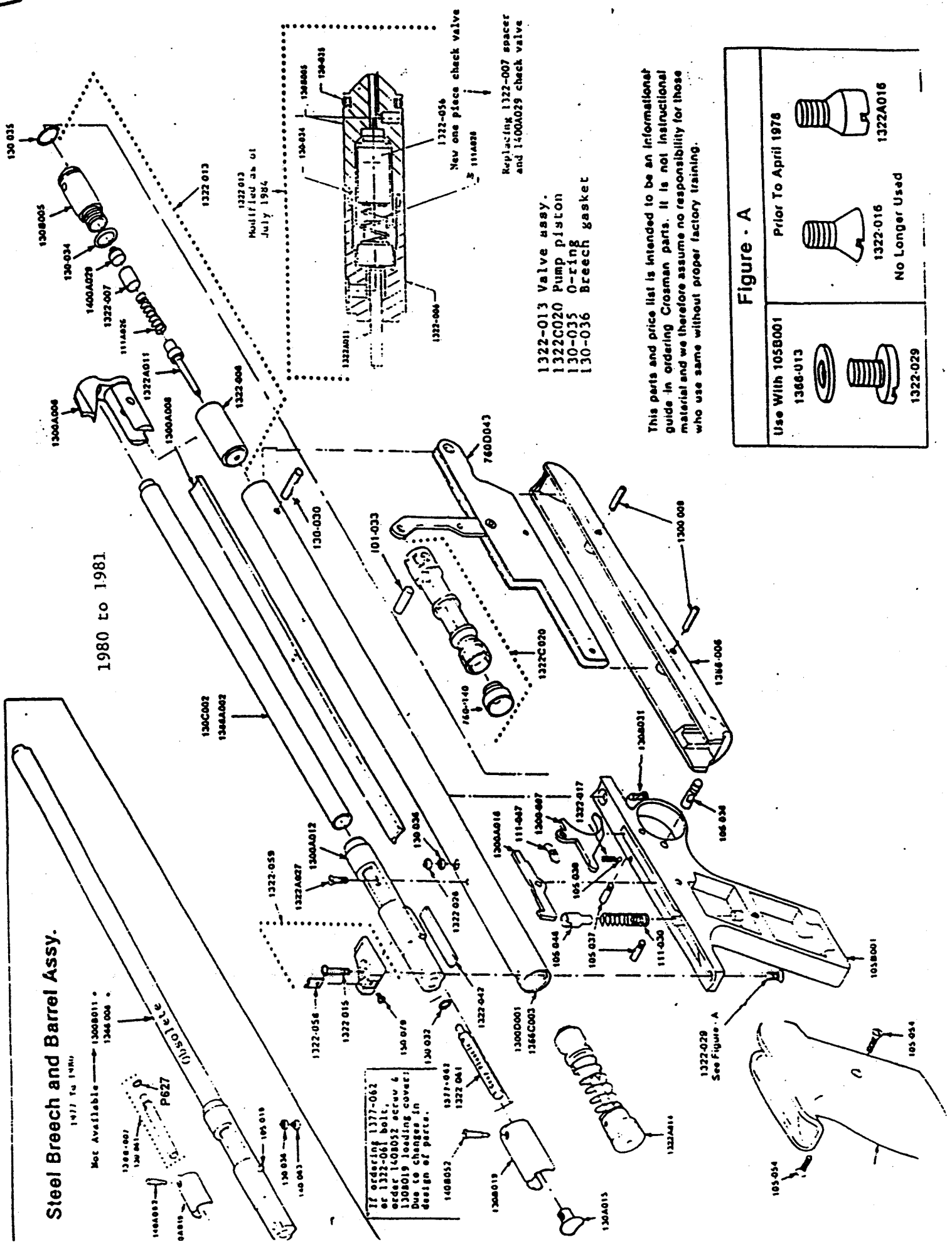
This parts and price list is intended to be an informational guide in ordering Crosman parts. It is not instructional material and we therefore assume no responsibility for those who use same without proper factory training.

Steel Breech and Barrel Assy.

1477 To 1480

Not Available → 1308011
1346 006

1980 to 1981



If ordering 1377-062 or 1322-061 bolt, order 1408052 screw & 1308019 loading cover. Due to changes in design of parts.

Replacing 1322-007 spacer and 1400A029 check valve

1322-013 Valve assy.
1322C020 Pump piston
130-035 O-ring
130-036 Breech gasket

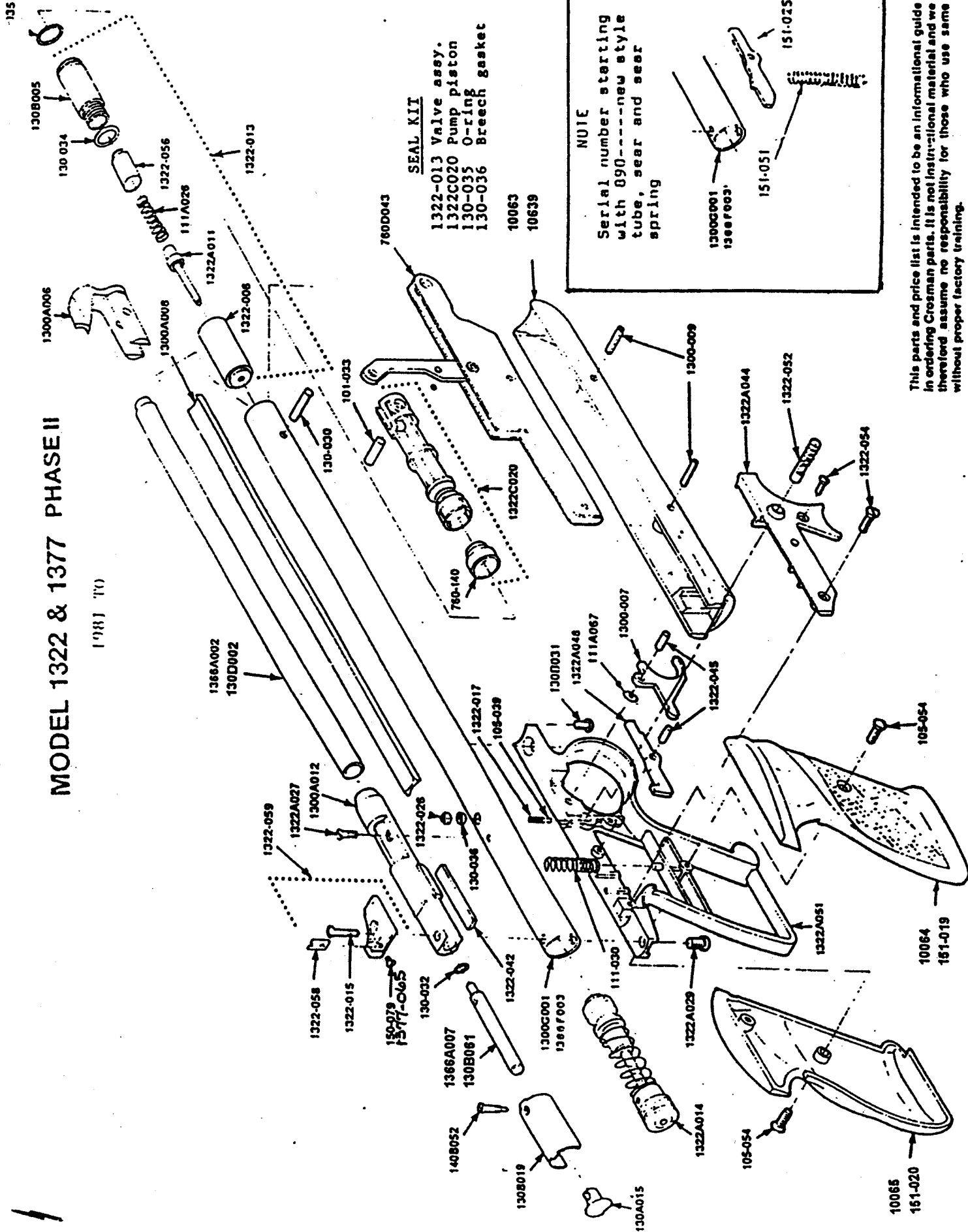
This parts and price list is intended to be an informational guide in ordering Crosman parts. It is not instructional material and we therefore assume no responsibility for those who use same without proper factory training.

Figure - A

Use With 105B001 1366-013	Prior To April 1978 1322A016
1322-029	No Longer Used 1322-016

MODEL 1322 & 1377 PHASE II

1981 TO



This parts and price list is intended to be an informational guide in ordering Crosman parts. It is not instructional material and we therefore assume no responsibility for those who use same without proper factory training.