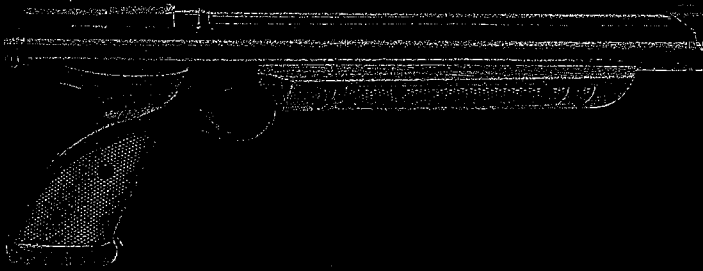




**Model 1377 American Classic™ – 1322 Medalist™
OWNER'S MANUAL**



**READ ALL INSTRUCTIONS AND WARNINGS IN
THIS MANUAL BEFORE USING THIS AIRGUN.**

CONGRATULATIONS

And thank you for choosing Crosman Airguns Model 1377 American Classic™ .177 caliber pellet/BB air pistol or the Crosman Airguns Model 1322 Medalist™ .22 caliber pellet air pistol.

The Model 1377 and Model 1322 include many up-to-date features which will mean easier handling, greater accuracy and more enjoyment for you.

- Solid steel rifled barrel for greater accuracy
- Rear sights adjustable for both windage and elevation
- Precision-built, constant-pull trigger
- Rifle like performance

To get the most enjoyment from your new airgun, please read the owner's manual completely. And remember, this pistol is not a toy. Treat it with the same respect you would a firearm. Always carefully follow the safety instructions found in this owner's manual and keep this manual in a safe place for future use.

Thank you for choosing a Crosman airgun.

⚠ WARNING: NOT A TOY. ADULT SUPERVISION REQUIRED. MISUSE OR CARELESS USE MAY CAUSE SERIOUS INJURY OR DEATH. MAY BE DANGEROUS UP TO 400 YARDS (366 METERS).

READ ALL INSTRUCTIONS BEFORE USING.

BUYER AND USER HAVE THE DUTY TO OBEY ALL LAWS ABOUT THE USE AND OWNERSHIP OF THIS AIRGUN.

THIS AIRGUN IS INTENDED FOR USE BY THOSE 16 YEARS OF AGE OR OLDER.

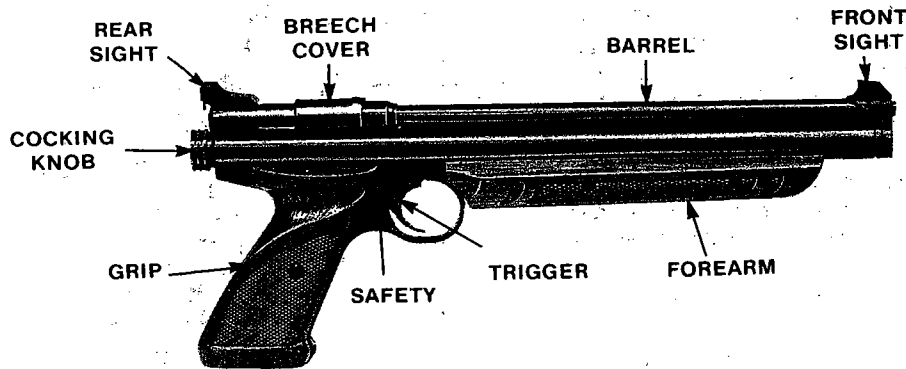
2

STEPS FOR SAFE SHOOTING

Step 1.	Learning the Parts of Your New Pistol	4
Step 2.	Operating the Safety	5
Step 3.	Pumping the Pistol	6
Step 4.	Loading and Unloading the Pistol	7-8
Step 5.	Cocking the Pistol	8
Step 6.	Aiming and Firing Safely	9-10
Step 7.	Removing a Jammed BB or Pellet	11
Step 8.	Maintaining your Pistol	12-13-14
Step 9.	Reviewing Safety	15
Step 10.	Using and Enjoying Your Pistol	16-17

Step 1. Learning the Parts of Your New Pistol

Learning the names of the parts of your new pistol will help you to understand your owner's manual. Use this manual to increase your airgun enjoyment.



4

Step 2. Operating the Safety

- A. To put the pistol "On Safe", locate the safety directly behind the trigger. Push the safety from the left side all the way in. (Fig. 1) The safety is not on unless it is pushed all the way in and the red ring around the safety is not showing. The pistol will not fire when "On Safe".
- B. Even when the safety is "On Safe" you should continue to handle the pistol safely. Don't point the gun at anything you don't intend to shoot.
- C. To take the pistol "Off Safe", push the safety from the right side all the way in. When you can see the red ring around the safety, the pistol is "Off Safe" and will fire.

⚠ WARNING: KEEP THE PISTOL "ON SAFE" UNTIL YOU ARE READY TO SHOOT. THEN PUSH IT TO "OFF SAFE".

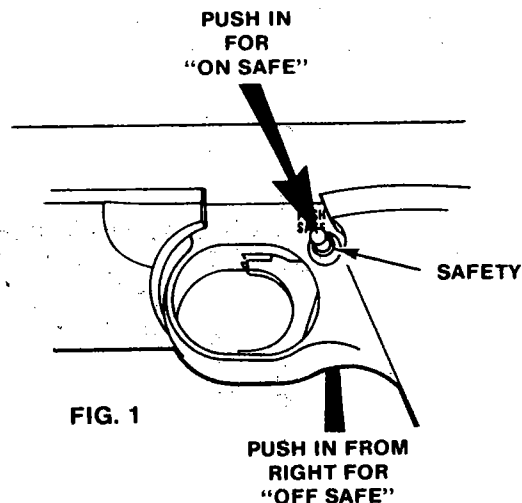


FIG. 1

Step 3. Pumping the Pistol

- A. Put the pistol "On Safe".
- B. Open the forearm all the way until it stops. (Fig. 2). Close it with a smooth stroke. Don't pinch hand or fingers when the forearm closes. Keep your fingers off the trigger while pumping.
- C. Be sure to use at least 2 pumps to keep the barrel from jamming with a BB or Pellet.
- D. Do not twist the forearm while pumping. Use straight strokes to prevent breakage.

⚠ WARNING: NEVER PUMP YOUR GUN MORE THAN 10 TIMES. OVER-PUMPING GIVES ONLY A SLIGHT INCREASE IN POWER AND WILL CAUSE MAJOR DAMAGE TO YOUR GUN. PUMPING MORE THAN 10 TIMES MAY ALSO LEAVE A SMALL AMOUNT OF AIR IN THE GUN WHICH MAY ALLOW YOU TO FIRE A SECOND SHOT WITHOUT ADDITIONAL PUMPING.

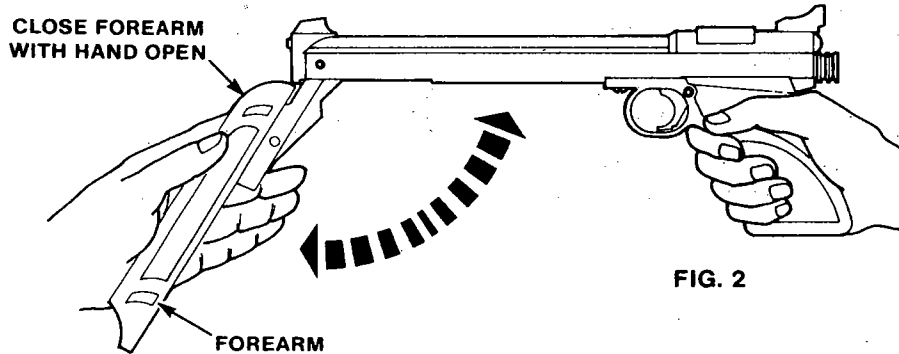


FIG. 2

6

Step 4. Loading and Unloading the Pistol.

- A. Loading the Pistol:
 - Put the pistol "On Safe". (See Step 2).
 - Turn the breech cover all the way to the left and pull it all the way back. (Fig. 3).
 - If your pistol is a Model 1377 American Classic, place a .177 caliber pellet, nose forward (Fig. 3), or a BB into the breech. If your pistol is a Model 1322 Medalist, place a .22 caliber pellet, nose forward (Fig. 3) into the breech.
 - PUSH THE BREECH COVER FORWARD ALL THE WAY AND TURN IT TO THE RIGHT SO IT LOCKS IN FRONT OF THE LOCKING BAR. (Fig. 4 - Page 8). If you attempt to fire the pistol with the breech cover open with a pellet or BB in the breech, the pellet or BB may fly back toward you.

not try to tighten it with the screw on the breech cover or you may strip or break the screw.

⚠ CAUTION: USE BBs OR .177 CALIBER PELLETS ONLY IN THE MODEL 1377. USE .22 CALIBER PELLETS ONLY IN THE MODEL 1322. NEVER REUSE AMMUNITION. USE OF ANY OTHER AMMUNITION CAN CAUSE INJURY TO YOU OR DAMAGE TO THE PISTOL.

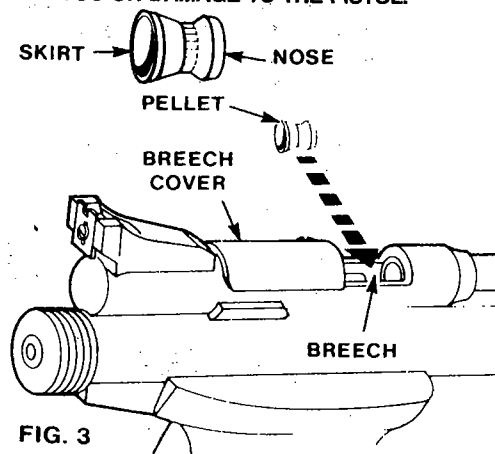


FIG. 3

NOTE: The breech cover is designed to feel loose until it is locked in the closed position. Do

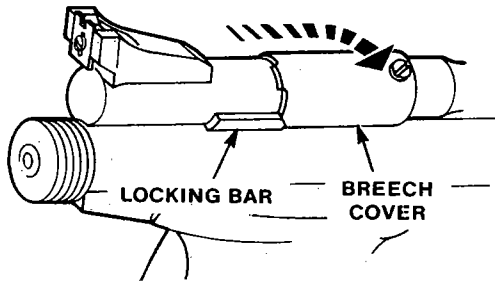


FIG. 4

B. Unloading the Pistol.

- Put the pistol "On Safe". (See Step 2)
- Pump 10 times, cock the pistol (see Step 5), aim in a SAFE DIRECTION, take "OFF SAFE", and fire.
- Another way of unloading your pistol is to follow the directions listed under Step 7D-Removing a Jammed BB or Pellet.

Step 5. Cocking the Pistol.

- A. Put the pistol "On Safe". (See Step 2)
- B. Pull the cocking knob all the way back until you hear two clicks and then release it. (Fig. 5)

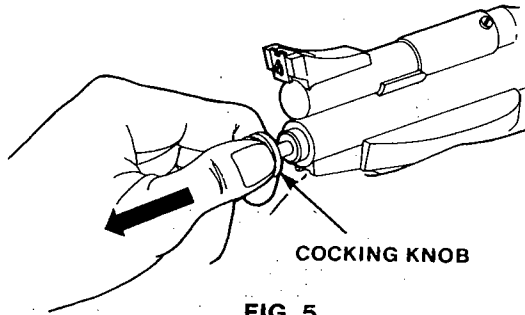


FIG. 5

Step 6. Aiming and Firing Safely

A. Aiming the Pistol

Always aim your pistol in a SAFE DIRECTION. When you are sure of your target and backstop, and the area around the target is clear, take the pistol "Off Safe" (see Step 2) and squeeze the trigger to fire.

Don't shoot at hard surfaces or at the surface of water. The BB or pellet may bounce off and hit someone or something you had not intended to hit.

The pistol is correctly aimed when the front sight blade is positioned exactly in the notch

of the rear sight. The top of the front sight blade should be even with the top of the notch in the rear sight. The bullseye should appear to rest on the top of the front sight. (Fig. 6)

B. Sight Adjustment

The rear sight may be adjusted to shoot higher or lower (elevation). Loosen the elevation adjustment screw by turning it counter-clockwise. Move the sight up to make the BB or pellet hit higher on the target. Move the sight down to make the BB or pellet hit lower on the target. Then tighten the elevation adjustment screw by turning it clockwise. (Fig. 7)

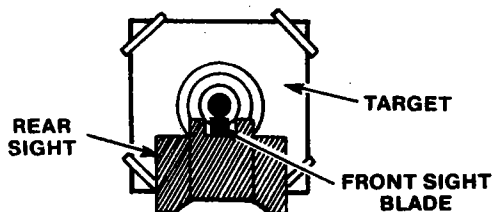


FIG. 6

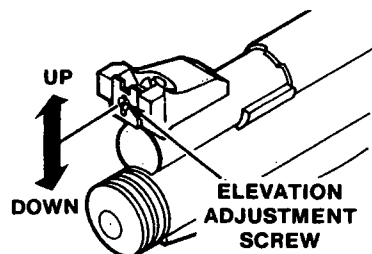


FIG. 7

The rear sight may be adjusted to shoot right or left (windage). Loosen the windage adjustment screw by turning it counterclockwise. Move the sight to the right to make the BB or pellet hit to the right on the target. Move the

sight to the left to make the BB or pellet hit to the left on the target. Then tighten the windage adjustment screw by turning it clockwise. (Fig. 8)

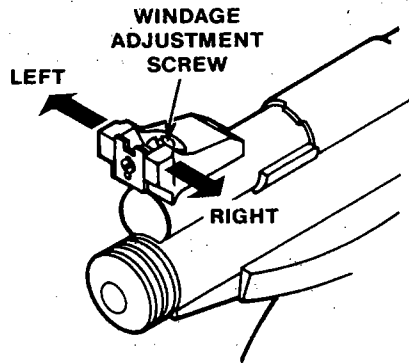


FIG. 8

Step 7. Removing a Jammed BB or Pellet

- A. Don't reload.
- B. Put the pistol "On Safe". (See Step 2).
- C. With the pistol "On Safe", pump 10 times, cock the cocking knob, aim in a SAFE DIRECTION, take "Off Safe", and fire.
- D. Put the pistol "On Safe", open the breech cover, turn the pistol upside down, insert a rod or straightened clothes hanger into the

- barrel, push the jammed pellet or BB into the breech and remove it from the breech. (Fig. 9). Don't try to reuse that pellet or BB again.
- E. If for some reason you are unable to unjam your pistol, a Crosman Authorized Service Center will unjam it for you free of charge during your warranty period.

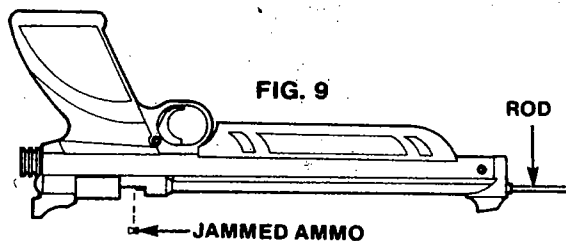


FIG. 9

Step 8. Maintaining Your Pistol.

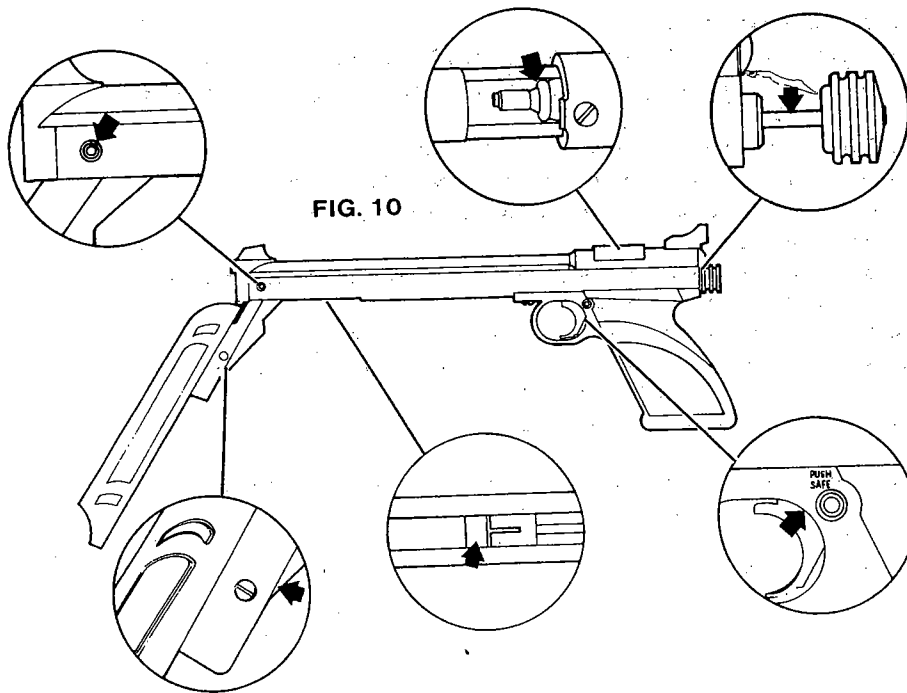
Trouble Shooting Guide

PROBLEMS	REASONS												
	Safety In On Position	Gun Not Cocked	Gun Not Pumped	Gun Not Pumped to Recommended number of pumps	Barrel Plugged (Jammed)	Lack of Lubrication	Re-Used Ammunition	Pellets Loaded Backwards	Use of Wrong Type or Cal. Ammo	Shooting Pellet BB Combination	Loading More Than One Pellet	Sights Not Adjusted	Ammunition Not in Fire Position
INACCURACY			•			•	•	•	•	•	•		
GUN FAILS TO SHOOT	•	•	•	•	•	•	•	•	•	•			•
LOW POWER			•		•	•	•	•	•	•			
BARREL PLUGGED (Jammed)			•		•	•	•	•	•	•			

12

Your pistol will work best if you oil it every 250 shots. Put 2 or 3 drops of Crosman Pellgunoil® on the pump pivot pins, the trigger, the cocking mechanism and the pump cup in the pump mechanism. A little oil on the barrel helps prevent rust. Pellgunoil is best, but any light household oil is better than none. Don't over-oil. This can cause damage to your pistol. (Fig. 10)

Tampering with the gun or attempts to change the gun in any way make it unsafe to use. If you drop your gun, check to see that it works properly before you use it again. If anything seems changed, like a shorter or weaker trigger pull, this may mean worn out or broken parts. Don't use it again until you've had it checked by an Authorized Service Station (A list of Service Stations is in the box with the Pistol.)



14

Step 9. Reviewing Safety

- ALWAYS HANDLE YOUR PISTOL AS THOUGH IT WERE LOADED.
- Don't point at anything you don't intend to shoot. Always aim in a SAFE DIRECTION.
- Don't pinch hands or fingers when closing forearm.
- Use BB's or .177 caliber pellets only in your Model 1377 American Classic.
- Use .22 caliber pellets only in your Model 1322 Medalist.
- Never reuse ammunition.
- Don't shoot at hard surfaces or at the surface of water. The BB or pellet may bounce off and hit someone or something you had not intended to hit.
- Always keep gun "On Safe" until you are ready to shoot.
- Stop using a backstop if it becomes worn. Place backstop in a location that will be safe should the backstop fail.
- Do not attempt to disassemble or tamper with your gun. Use a competent repairman.
- Always check to see if the pistol is "On Safe" and unloaded when getting it from another person or from storage.
- Don't put the pistol away loaded. Make sure the BB or pellet is unloaded. (See Step 4B).

Step 10. Using and Enjoying Your Pistol

Now that you have studied your owner's manual and understand how to use your pistol properly, you are ready to begin your shooting enjoyment. Follow these shooting tips for fun and safe shooting.

Choosing Targets

Always choose your targets carefully. It is best to shoot at paper bullseye targets which are attached to a safe backstop such as the Crosman Target Trap. A heavy blanket should be hung behind the target trap to prevent ricochet or BB's or pellets bouncing off should you miss the backstop. It is also best to wear shooting glasses to protect your eyes. Don't shoot at hard surfaces or at the surface of water. The BB or pellet may bounce off and hit someone or something you had not intended to hit.

Your backstop should be checked for wear before and after each use. Stop using any backstop if the surface is worn or damaged or if the BB or pellet bounces off or ricochets.

Your airgun is designed for target shooting and is suited for both indoor and outdoor use. Always remember to place your target carefully. THINK what you will hit if you miss the target!

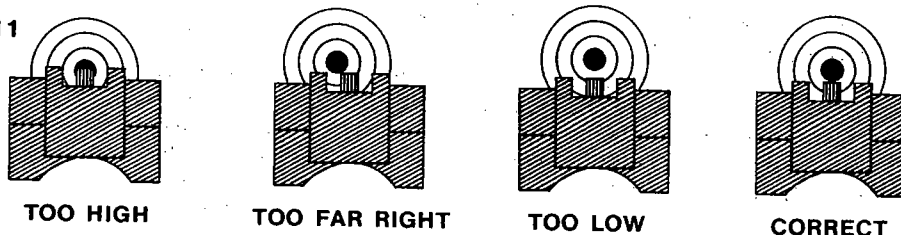
Shooting

We talked earlier about aiming your pistol and sight adjustment (Step 6). The next step is putting the sights together with the target. This is known as sight picture.

16

A correct sight picture has the bullseye directly centered on top of the front sight with both sights correctly aligned. (Fig. 11)

FIG. 11



TOO HIGH

TOO FAR RIGHT

TOO LOW

CORRECT

Now with the sights and target in the proper position, you are ready to squeeze the trigger.

A trigger must be squeezed smoothly to keep the sights aligned and on the target as the gun fires.




Proper breathing is important for good marksmanship. Take a deep breath, let it out until you are comfortable, then hold it until after you have fired. Keep holding your breath and squeezing the trigger for a second or two after firing the shot. This is called follow through and is important for smooth and accurate shooting.

Shooting Games

Competing with friends and holding informal shooting matches can make airgun ownership more fun and exciting. Crosman silhouette targets and Crosman Shooting Games will help make your neighborhood matches the most popular around.

REMEMBER...shooters are made, not born. Know the basics of safe shooting.

SPECIFICATIONS

Mechanism: Bolt Action
Caliber: 1377: BB cal. (4.5 mm) Steel Airgun Shot 
 .177 cal. (4.5 mm) Lead Airgun Pellet 
 1322: .22 cal. (5.5 mm) Lead Airgun Pellet 
Capacity: Single Shot
Weight: 2 lbs. 7 oz. (1.11 kg)
Overall Length: 13 5/8 in. (34.6 cm)
Sights: Rear: Adjustable for elevation and windage
 Front: Fixed Blade
Barrel: Rifled
Power Source: Pneumatic Pump Action

Model 1322

Pumps	Velocity	Projectile	Weight
3	245-275 FPS	.22 Pellet	14.3 gr.
6	350-375 FPS	.22 Pellet	14.3 gr.
10	390-440 FPS	.22 Pellet	14.3 gr.

REPAIR SERVICE

If your gun needs repair, we recommend you take or send it to your nearest Crosman Authorized Service Center, (list of service centers in box with gun). Your gun requires special tools and fixtures to repair it. If you take it apart, you probably will not be able to reassemble it correctly. Crosman assumes no warranty responsibility in this case.

A SPECIAL CUSTOMER SERVICE

Crosman Authorized Service Stations will unjam your pistol at no cost during the warranty period.

PERFORMANCE Many factors affect velocity, including brand of projectile, type of projectile, oiling of gun, barrel condition, temperature.

Model 1377

Pumps	Velocity	Projectile	Weight
3	350-385 FPS	.177 BB	5.5 gr.
6	460-510 FPS	.177 BB	5.5 gr.
10	530-570 FPS	.177 BB	5.5 gr.
3	310-345 FPS	.177 Pellet	7.9 gr.
6	430-455 FPS	.177 Pellet	7.9 gr.
10	485-510 FPS	.177 Pellet	7.9 gr.

18

LIMITED ONE YEAR WARRANTY

This product is warranted to the retail consumer for one year from date of retail purchase against defects in material and workmanship and is transferable. To register the serial number of your gun, please return the Airgun registration form. The warranty is not conditioned on the return of the card.

WHAT IS COVERED

Replacement parts and labor. Transportation charges to consumer for repaired product.

WHAT IS NOT COVERED

Transportation charges to Crosman for defective product. Damages caused by abuse or failure to perform normal maintenance — see Owner's Manual. Sales outside of the United States. Any other expense. CONSEQUENTIAL DAMAGES, INCIDENTAL DAMAGES, OR INCIDENTAL EXPENSES, INCLUDING DAMAGE TO PROPERTY. SOME STATES DO NOT ALLOW THE EXCLUSION OR LIMITATION OF INCIDENTAL OR CONSEQUENTIAL DAMAGES, SO THE ABOVE LIMITATION OR EXCLUSION MAY NOT APPLY TO YOU.

HOW TO OBTAIN WARRANTY PERFORMANCE

Locate nearest Crosman Service Center on list with Product or in phone book. Attach to Product your name, address, description of problem, phone number and proof of date of retail purchase (sales slip). Package and return Product to Crosman Service Center, transportation charges prepaid.

IMPLIED WARRANTIES

ANY IMPLIED WARRANTIES, INCLUDING THE IMPLIED WARRANTIES OF MERCHANTABILITY AND FITNESS FOR A PARTICULAR PURPOSE, ARE LIMITED IN DURATION TO ONE YEAR FROM DATE OF RETAIL PURCHASE. SOME STATES DO NOT ALLOW LIMITATIONS ON HOW LONG AN IMPLIED WARRANTY LASTS, SO THE ABOVE LIMITATIONS MAY NOT APPLY TO YOU.

To the extent any provision of this warranty is prohibited by federal, state, or municipal law which cannot be preempted, it shall not be applicable. This warranty gives you specific legal rights, and you may also have other rights which vary from state to state.